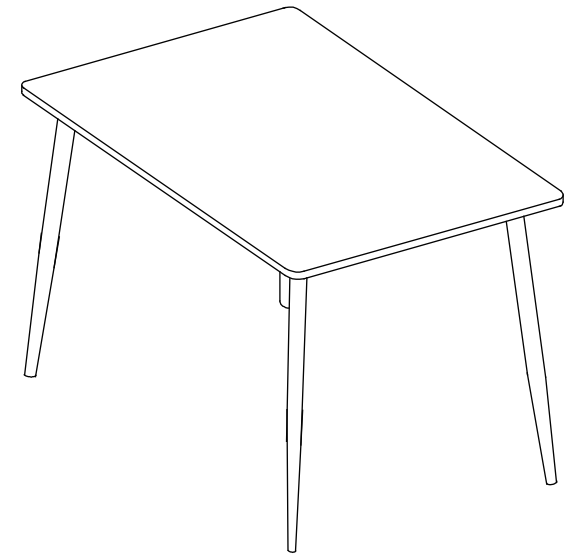
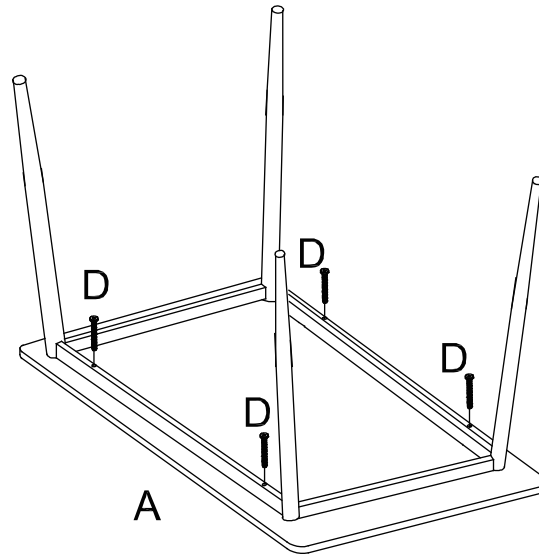
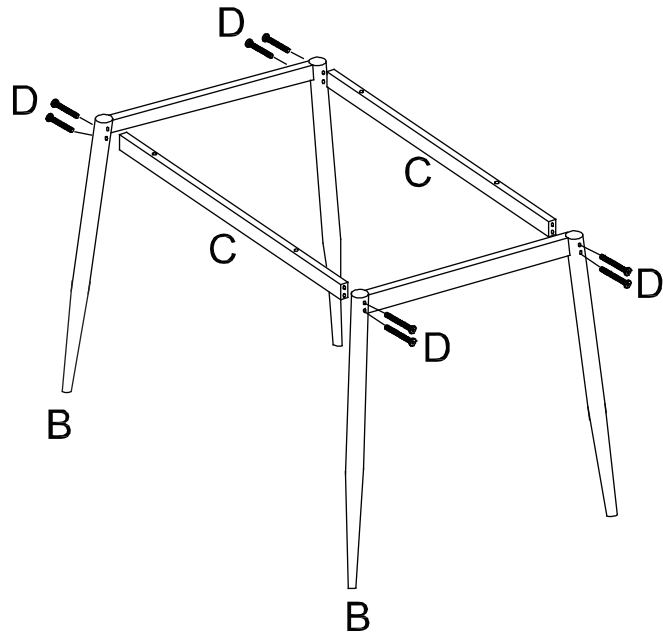


# ASSEMBLY INSTRUCTION

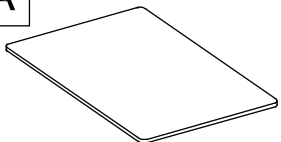
\*\*\*DO NOT TIGHTEN SCREWS UNTIL COMPLETELY ASSEMBLED\*\*\*



Step 1-Use screws(Part D)to connect cross-bars (Part C) with table feet(Part B) as table metal frame

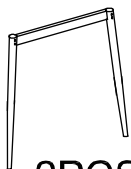
Step 2-Use screws(Part D)to connect table metal frame with the table top(Part A)

A



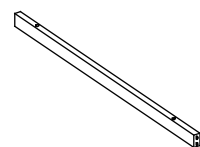
1PC

B



2PCS

C



2PCS

D



12PCS

E



1PC