
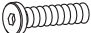
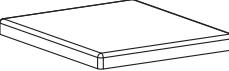

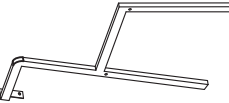

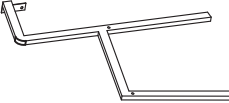




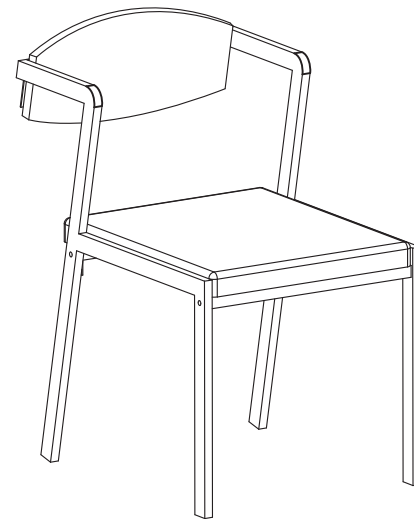


A		4PCS	I	 M6×45mm	16PCS
B		4PCS	J	 M6×40mm	8PCS
C		4PCS	K	 4mm	1PC
D		4PCS			
E		4PCS			
F		4PCS			
G		4PCS			
H	 M6×12mm	24PCS			

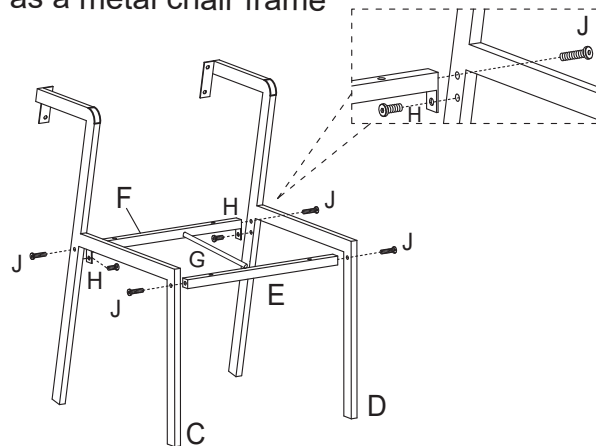
ASSEMBLY INSTRUCTION

DO NOT TIGHTEN SCREWS UNTIL COMPLETELY ASSEMBLED

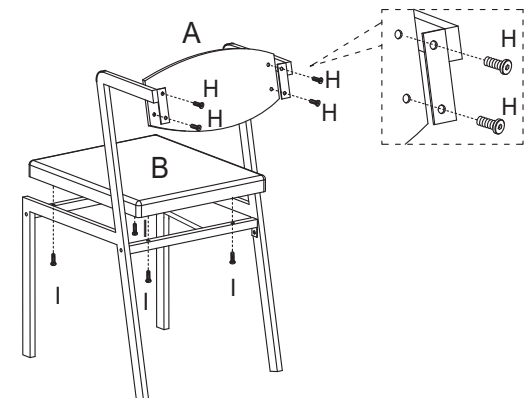


X4

Step 1-Use screws(Part H/J)to connect chair feet(Part C/D) with cross-bars (Part F) Insert G into the holes of Part F and Part E, Use screws(Part J)to connect chair feet(Part C/D) with cross-bars(Part E) as a metal chair frame

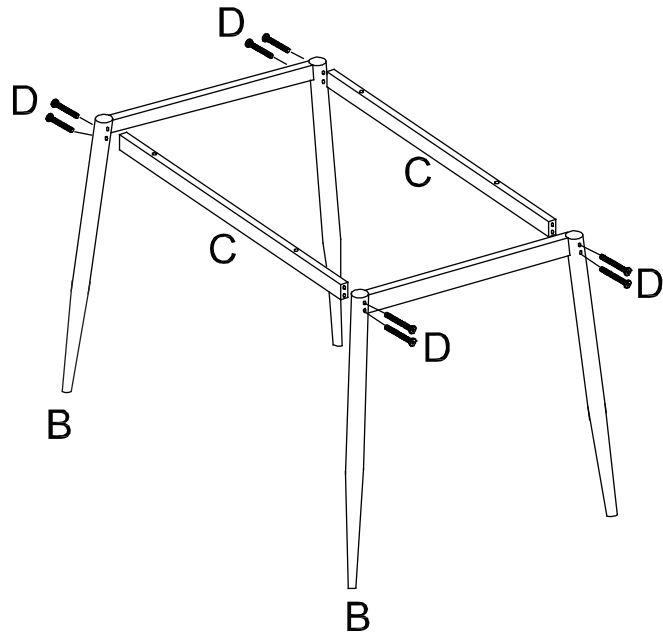


Step 2-Use screws(Part H) to connect the chair metal frame with the backrest(Part A) Use screws(Part I)to connect seat(Part B) with the chair metal frame

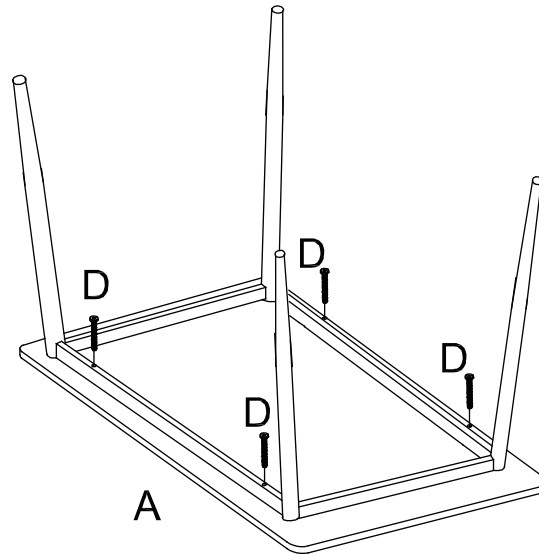


ASSEMBLY INSTRUCTION

DO NOT TIGHTEN SCREWS UNTIL COMPLETELY ASSEMBLED



Step 1-Use screws(Part D)to connect cross-bars (Part C) with table feet(Part B) as table metal frame



Step 2-Use screws(Part D)to connect table metal frame with the table top(Part A)

