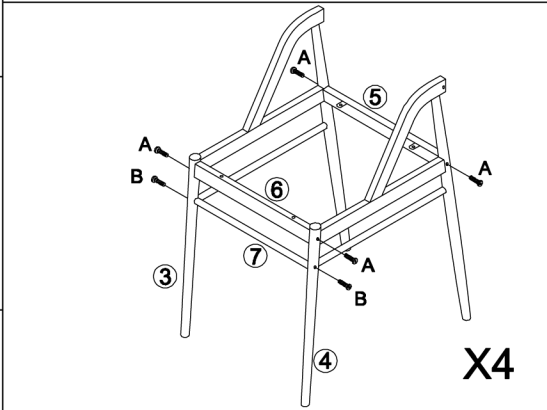


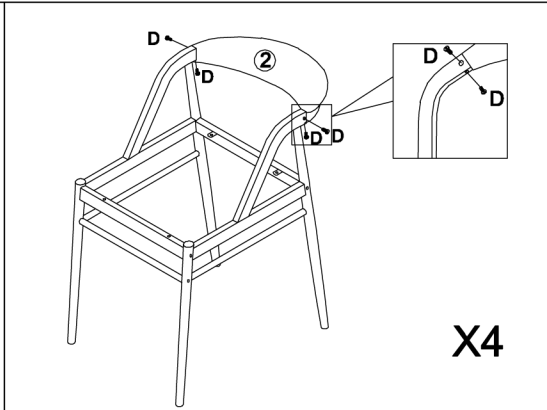
# ASSEMBLY INSTRUCTION

\*\*\*DO NOT TIGHTEN SCREWS UNTIL COMPLETELY ASSEMBLED\*\*\*

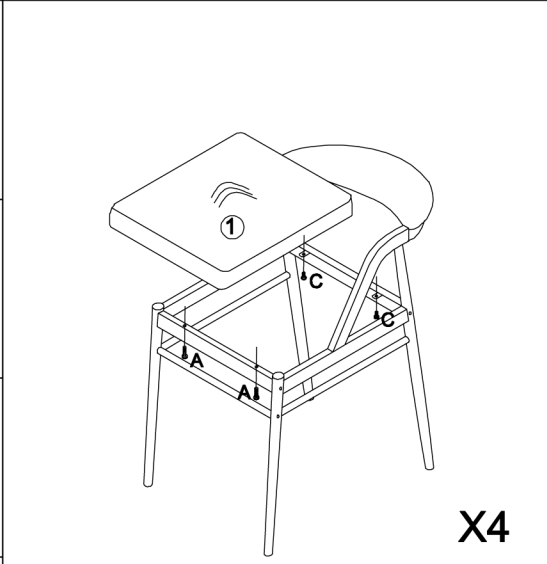
①		4PCS	A		24PCS
				M6×45mm	
②		4PCS	B		8PCS
				M6×35mm	
③		4PCS	C		8PCS
				M6×15mm	
④		4PCS	D		16PCS
				M6×10mm	
⑤		4PCS	E		1PC
⑥		4PCS			
⑦		4PCS			



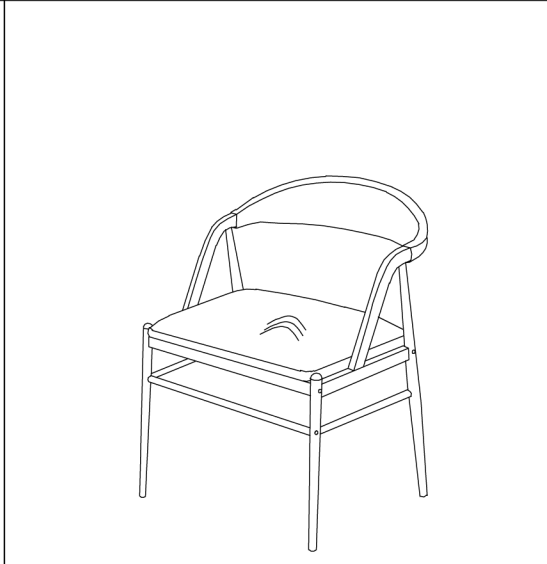
step 1-Use screws(Part A)to connect chair feet(Part 3/4) with cross-bars(Part 5/6).  
-Use screws(Part B)to connect chair feet(Part 3/4) with cross-bars(Part 7) as a metal chair frame.



step 2-Use screws(Part D) to connect the chair metal frame with the backrest(Part 2).

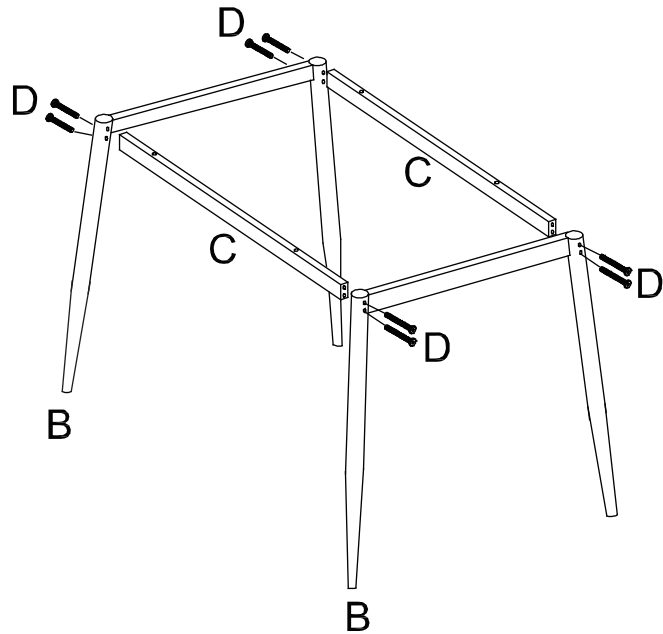


step 3-Use screws(Part A/C) to connect the chair metal frame with the seat(Part 1).

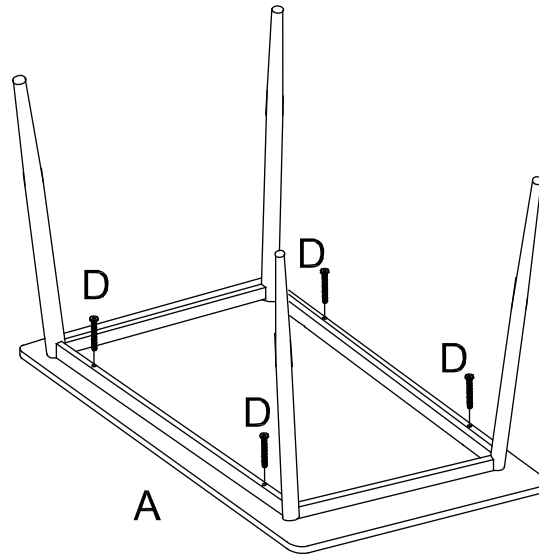


# ASSEMBLY INSTRUCTION

\*\*\*DO NOT TIGHTEN SCREWS UNTIL COMPLETELY ASSEMBLED\*\*\*



Step 1-Use screws(Part D)to connect cross-bars (Part C) with table feet(Part B) as table metal frame



Step 2-Use screws(Part D)to connect table metal frame with the table top(Part A)

