

# ASSEMBLY INSTRUCTION

\*\*\*DO NOT TIGHTEN SCREWS UNTIL COMPLETELY ASSEMBLED\*\*\*

1



4PCS

2



4PCS

3



8PCS

4



4PCS

A



M6×45mm

24PCS

B



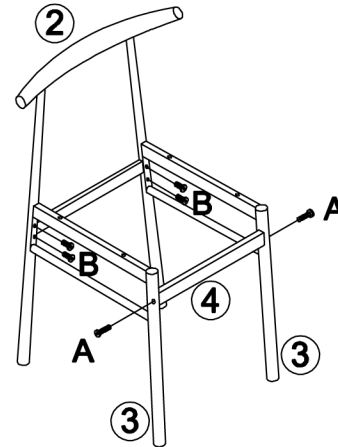
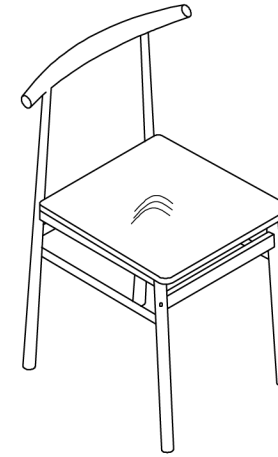
M6×12mm

16PCS

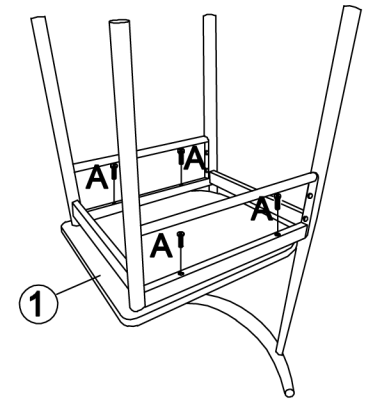
C



1PC



X4



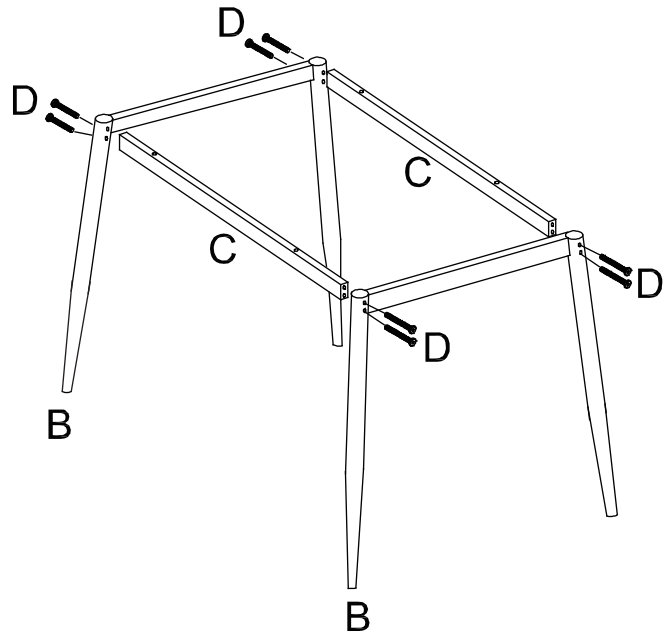
X4

step 1-Use screws(Part B)to connect chair feet(Part 3) with backrest frame(Part 2).  
-Use screws(Part A)to connect chair feet(Part 3) with cross-bars(Part 4) as a metal chair frame.

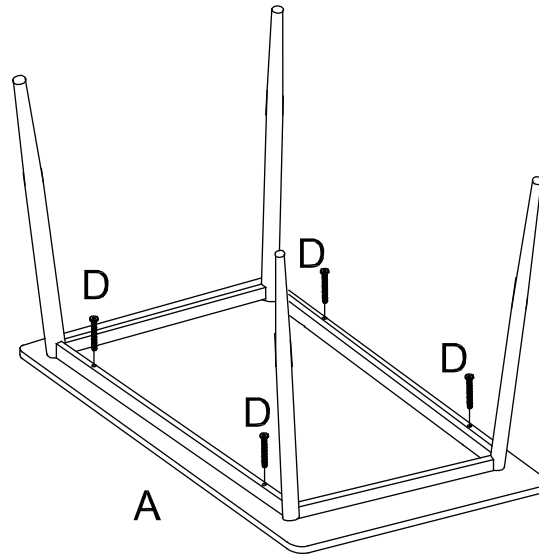
step 2-Use screws(Part A) to connect the chair metal frame with the seat(Part 1).

# ASSEMBLY INSTRUCTION

\*\*\*DO NOT TIGHTEN SCREWS UNTIL COMPLETELY ASSEMBLED\*\*\*



Step 1-Use screws(Part D)to connect cross-bars (Part C) with table feet(Part B) as table metal frame



Step 2-Use screws(Part D)to connect table metal frame with the table top(Part A)

