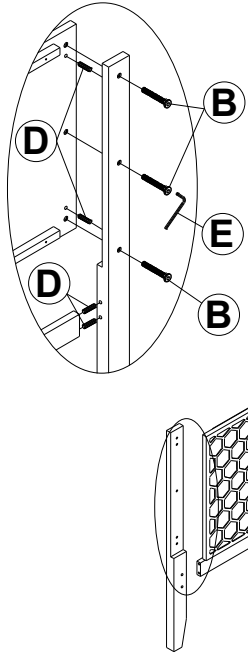


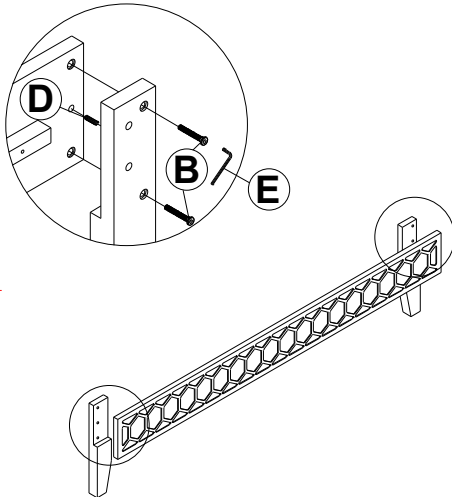
SW 8588 - F/Q/K

1.



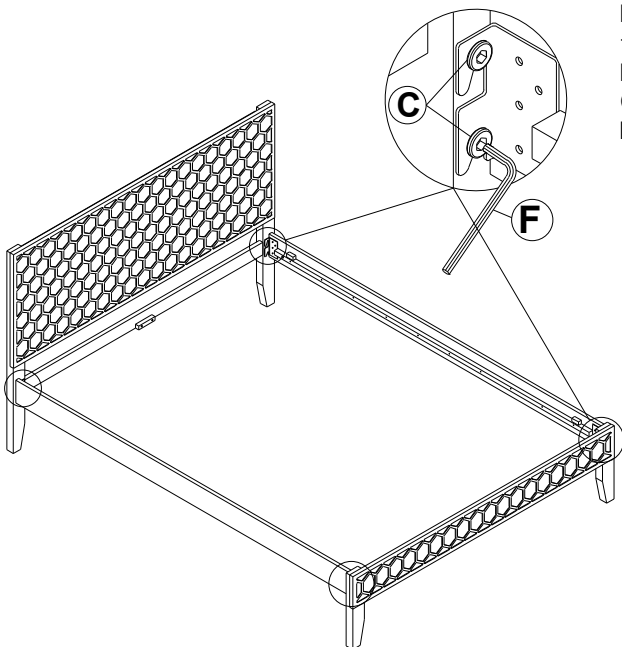
Attach the headboard post (P3) to the headboard panel (P1) and headboard bottom rail (P2) using hardware:
 B = 6pcs
 D = 8pcs
 E = 1pc

2.



Attach the footboard post (P5) to the footboard panel (P4) using hardware:
 B = 4pcs
 D = 2pcs
 E = 1pc

3.



Attach the side rail (P6) to the headboard post (P3) and footboard post (P5) using hardware:
 C = 8pcs
 F = 1pc

WARNING!!

- Remove hardware from box and sort by size.
- Please check to see that hardware and parts are present prior start of assembly.
- Please follow attached instruction in the same sequence numbered to ensure fast and easy assembly.
- Do not use this bed if any part is broken, torn or missing.
- The assembly of this product requires two people.
- Do not use any power tools as this may damage the frame and will invalidate any claim.

PART LIST

P1		Headboard Panel =	1pc
P2		Headboard Bottom Rail =	1pc
P3		Headboard Post =	L-1pc R-1pc
P4		Footboard Panel =	1pc
P5		Footboard Post =	L-1pc R-1pc
P6		Side Rail =	2pcs
P7		Center Rail =	1pc
P8		Bed Slats =	14pcs
P9		Support Leg =	2pcs

HARDWARE LIST

A		M6 X 50MM JCBC =	2pcs
B		M6 X 30MM JCBC =	10pcs
C		M8 X 20MM JCBB =	8pcs
D		WOOW DOWEL M8X30MM =	10pcs
E		ALLEN KEY M4 =	1pc
F		ALLEN KEY M5 =	1pc
G		M4 X 25MM SCREW =	14pcs
H		ADJUSTER =	2pcs

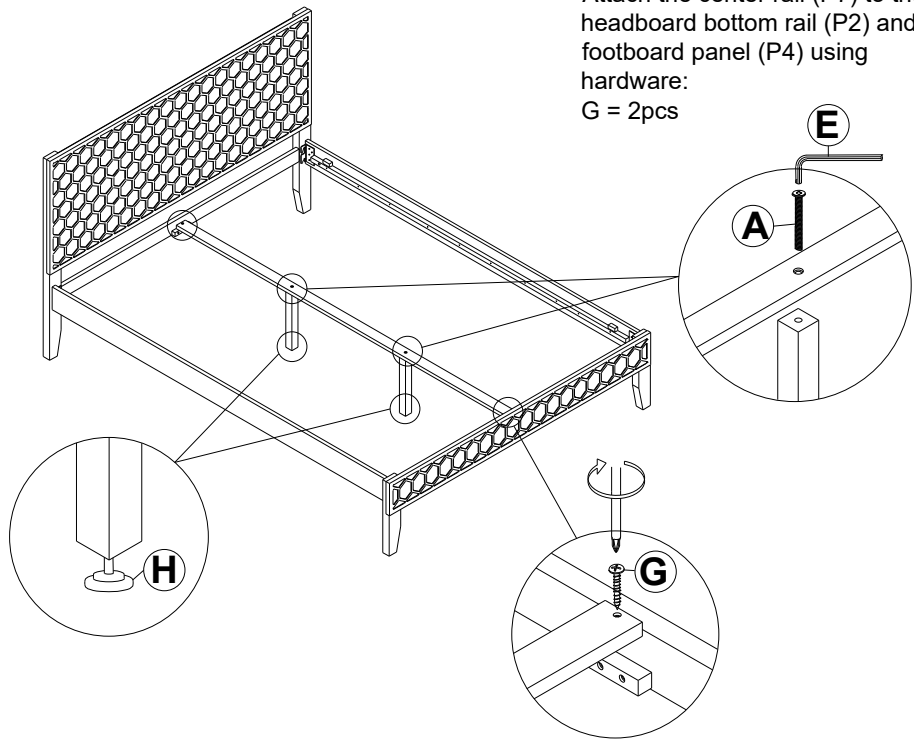


4.

Fix the adjuster (H) to the support leg (P9) using hardware:
H = 2pcs

Attach the support leg (P9) to the center rail (P7) using hardware:
A = 2pcs
E = 1pc

Attach the center rail (P7) to the headboard bottom rail (P2) and footboard panel (P4) using hardware:
G = 2pcs



WARNING!!

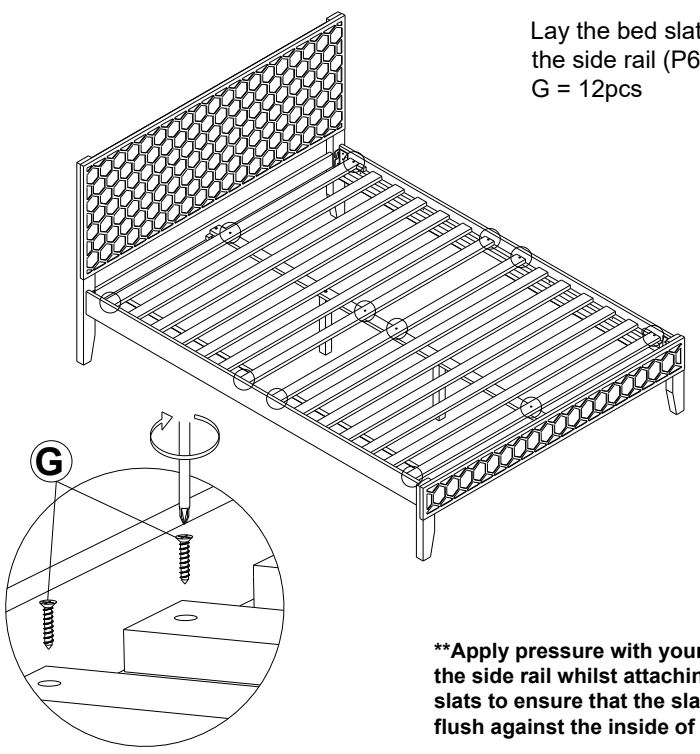
- Remove hardware from box and sort by size.
- Please check to see that hardware and parts are present prior start of assembly.
- Please follow attached instruction in the same sequence numbered to ensure fast and easy assembly.
- Do not use this bed if any part is broken, torn or missing.
- The assembly of this product requires two people.
- Do not use any power tools as this may damage the frame and will invalidate any claim.

PART LIST

P1		Headboard Panel = 1pc
P2		Headboard Bottom Rail = 1pc
P3		Headboard Post = L-1pc = R-1pc
P4		Footboard Panel = 1pc
P5		Footboard Post = L-1pc = R-1pc
P6		Side Rail = 2pcs
P7		Center Rail = 1pc
P8		Bed Slats = 14pcs
P9		Support Leg = 2pcs

5.

Lay the bed slats (P8) between the side rail (P6) using hardware:
G = 12pcs



****Apply pressure with your knee to the side rail whilst attaching the slats to ensure that the slats are flush against the inside of side rail****

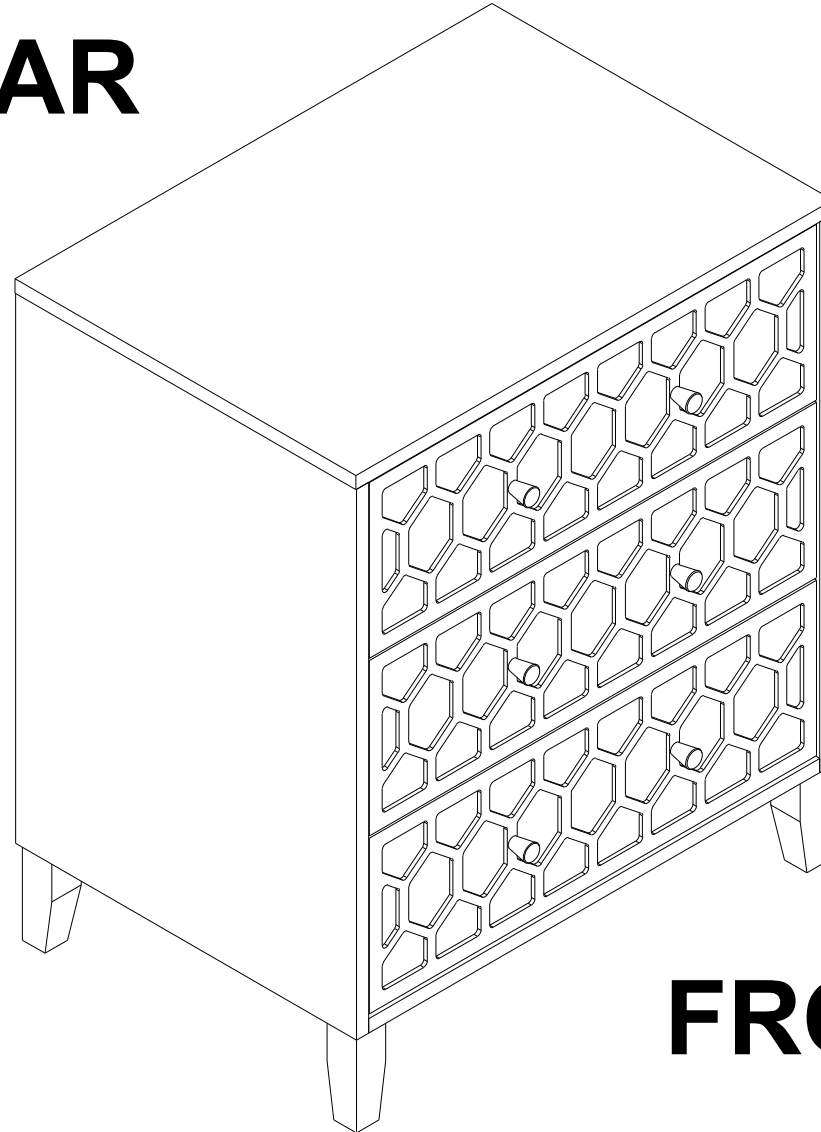
HARDWARE LIST

A		M6 X 50MM JCBC = 2pcs
B		M6 X 30MM JCBC = 10pcs
C		M8 X 20MM JCBB = 8pcs
D		WOOW DOWEL M8X30MM = 10pcs
E		ALLEN KEY M4 = 1pc
F		ALLEN KEY M5 = 1pc
G		M4 X 25MM SCREW = 14pcs
H		ADJUSTER = 2pcs

ASSEMBLY INSTRUCTION

SW 8000-61CH3D

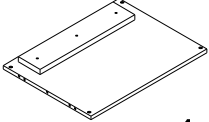
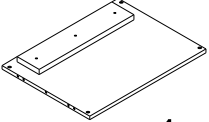

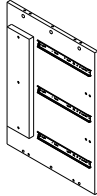
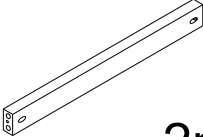
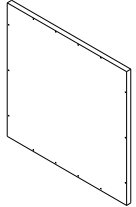
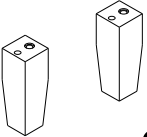
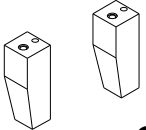
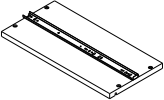
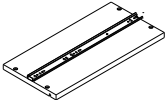
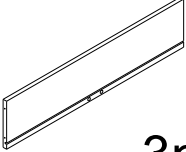
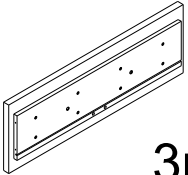
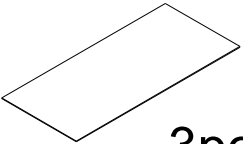
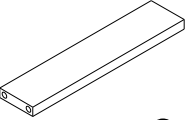
REAR



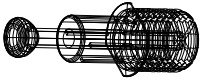


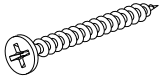

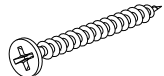
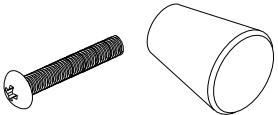
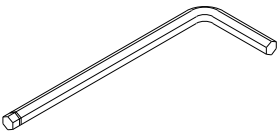
FRONT



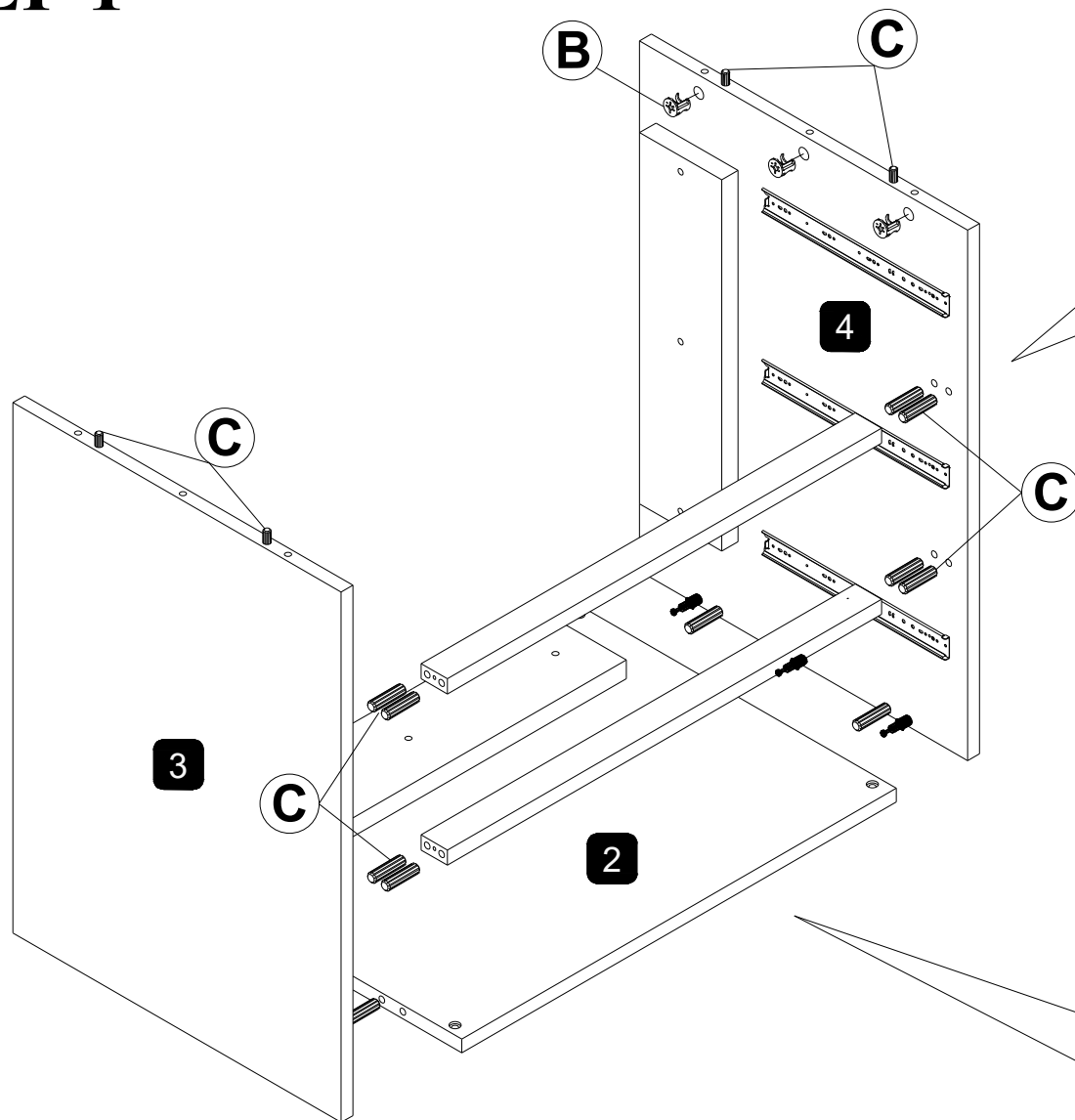
PART LIST

<p>1 Top Panel</p>  <p>1pc</p>	<p>2 Bottom Panel</p>  <p>1pc</p>	<p>3 Side Panel (left)</p>  <p>1pc</p>	<p>4 Side Panel (right)</p>  <p>1pc</p>	<p>5 Support Rail</p>  <p>2pcs</p>	<p>6 Back Panel</p>  <p>1pc</p>
<p>7 Post (left)</p>  <p>2pcs</p>	<p>8 Post (right)</p>  <p>2pcs</p>	<p>9 Drawer Side Panel (left)</p>  <p>3pcs</p>	<p>10 Drawer Side Panel (right)</p>  <p>3pcs</p>	<p>11 Drawer Back Panel</p>  <p>3pcs</p>	<p>12 Drawer Front Panel</p>  <p>3pcs</p>
<p>13 Drawer Base Panel</p>  <p>3pcs</p>	<p>14 Drawer Support Rail</p>  <p>3pcs</p>				

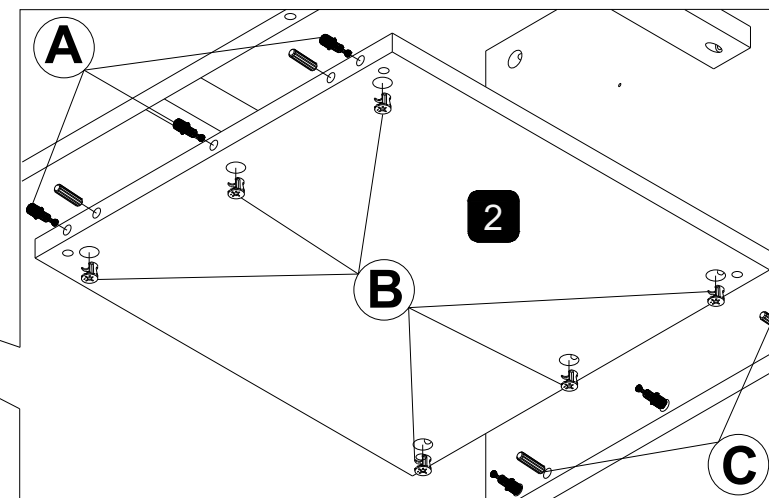
HARDWARE LIST

<p>A MINI FIX SPREADING BOLT 24MM</p>  <p>12pcs</p>	<p>B MINIFIX HOUSING Ø15*12MM</p>  <p>12pcs</p>	<p>C WOOD DOWEL M8*30MM</p>  <p>32pcs</p>	<p>D CSK SCREW M4*30MM</p>  <p>18pcs</p>	<p>E JCBC M6X40MM</p>  <p>4pcs</p>	<p>F CSK SCREW M4*25MM</p>  <p>24pcs</p>
<p>G HANDLE</p>  <p>6sets</p>	<p>H M4 ALLEN KEY</p>  <p>1pc</p>				

STEP 1



BOTTOM PANEL



A X 6pcs



B X 12pcs



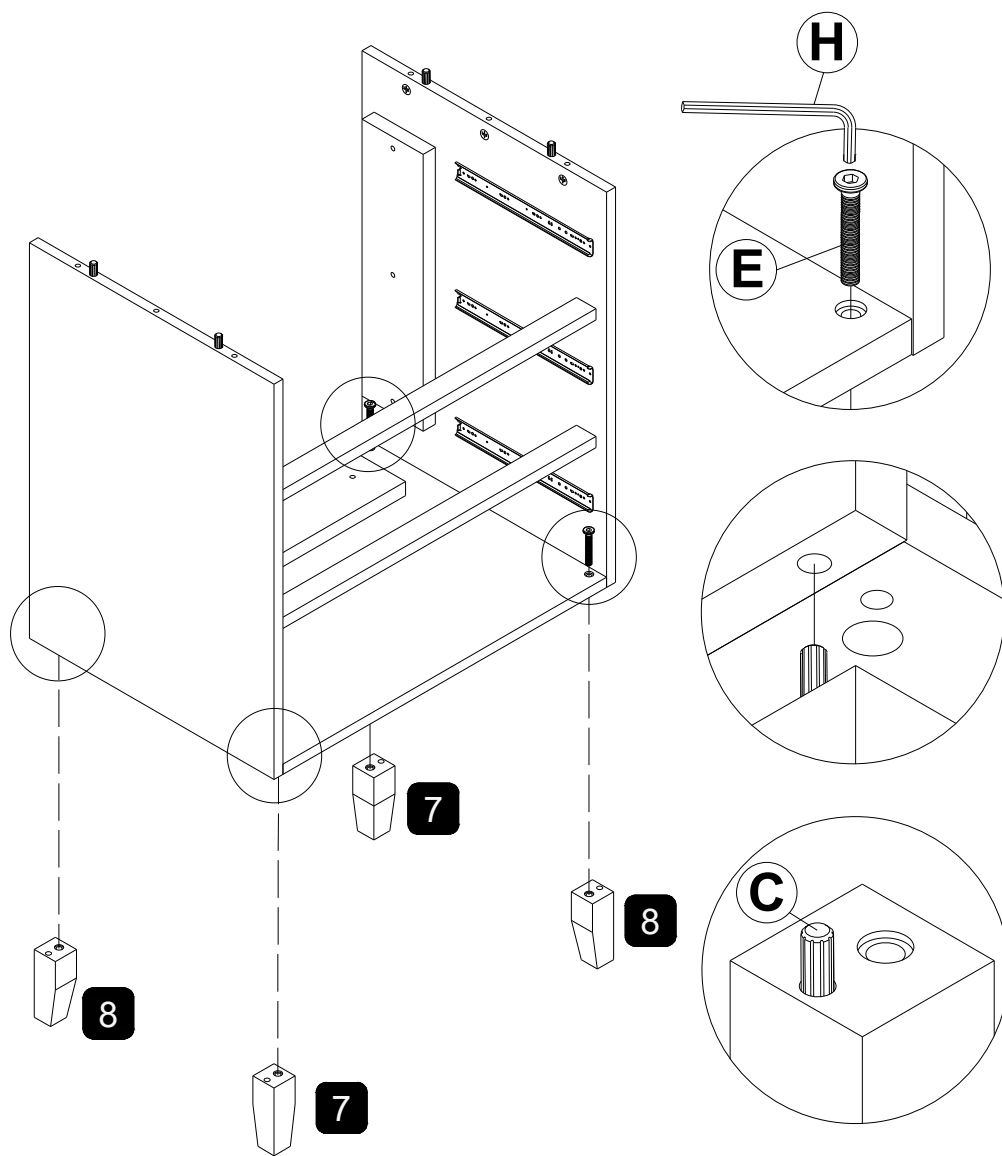
C X 16pcs



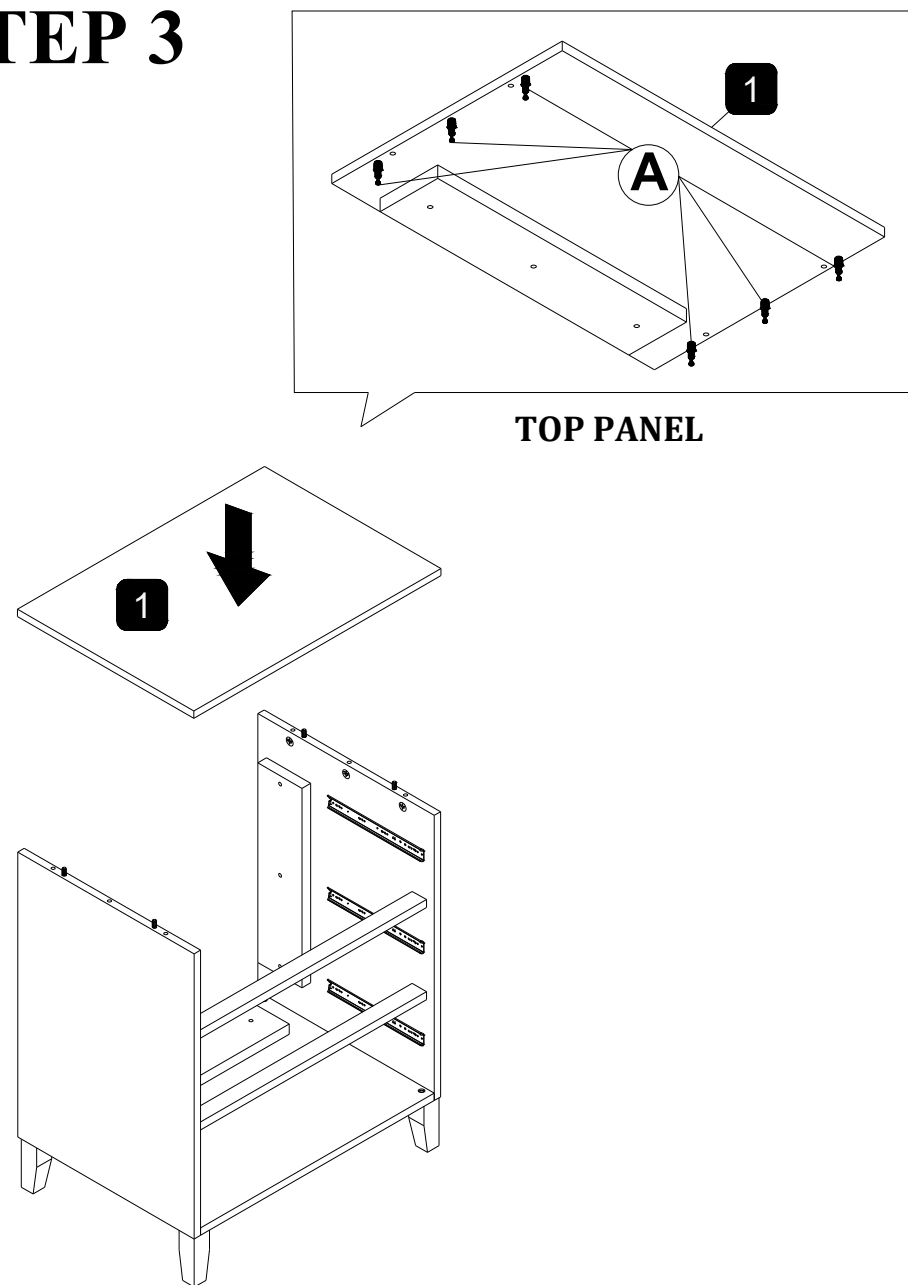
D X 4pcs




STEP 2





STEP 3

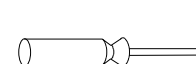



C X 4pcs

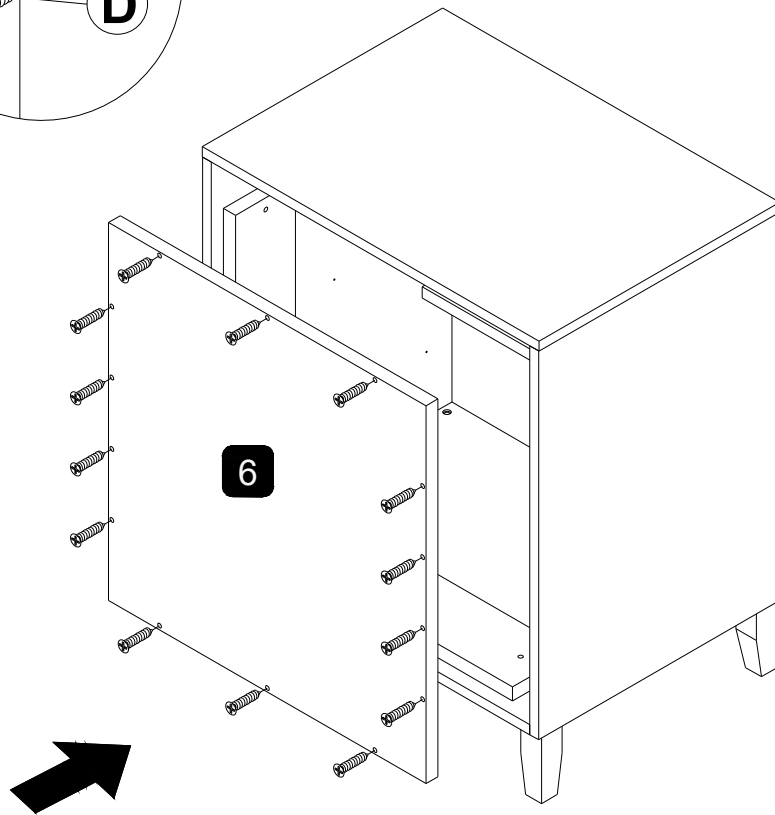
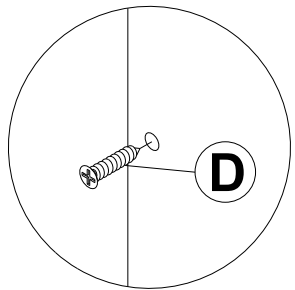

E X 4pcs


H X 1pc


A X 6pcs

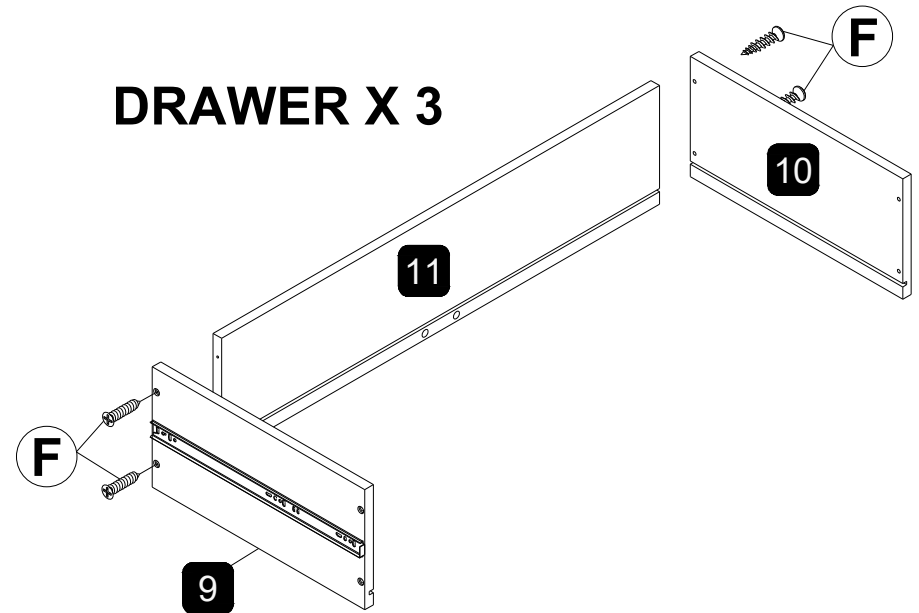


STEP 4



STEP 5

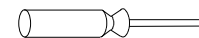
DRAWER X 3



D X 14pcs

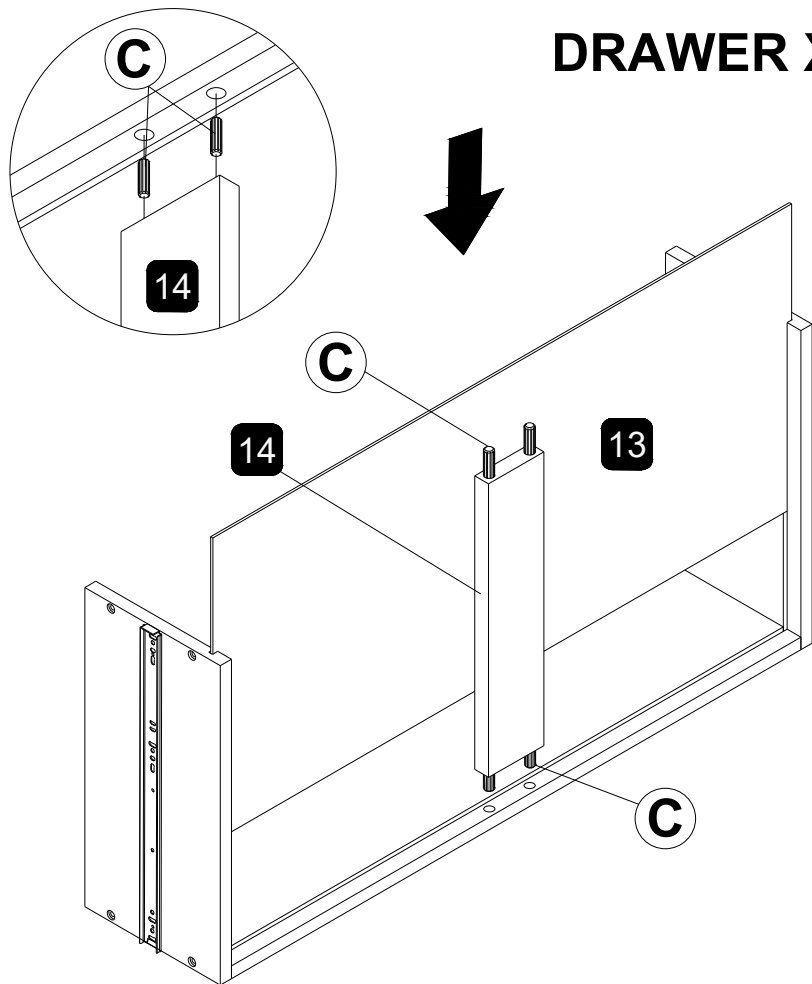


F X 12pcs



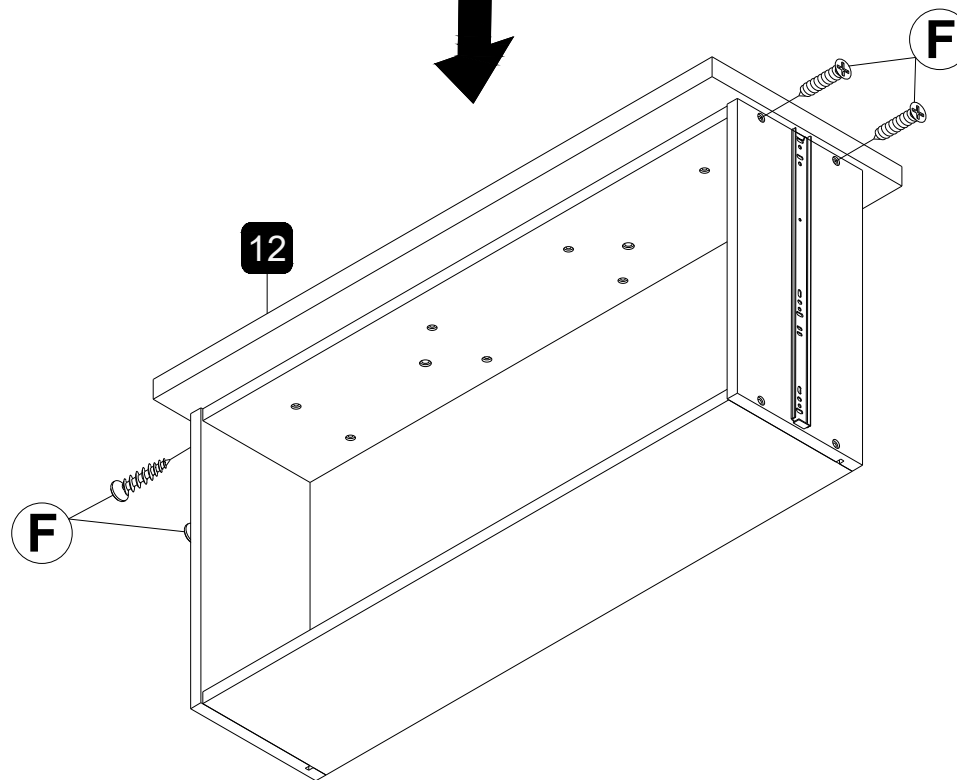
STEP 6


DRAWER X 3



STEP 7

DRAWER X 3



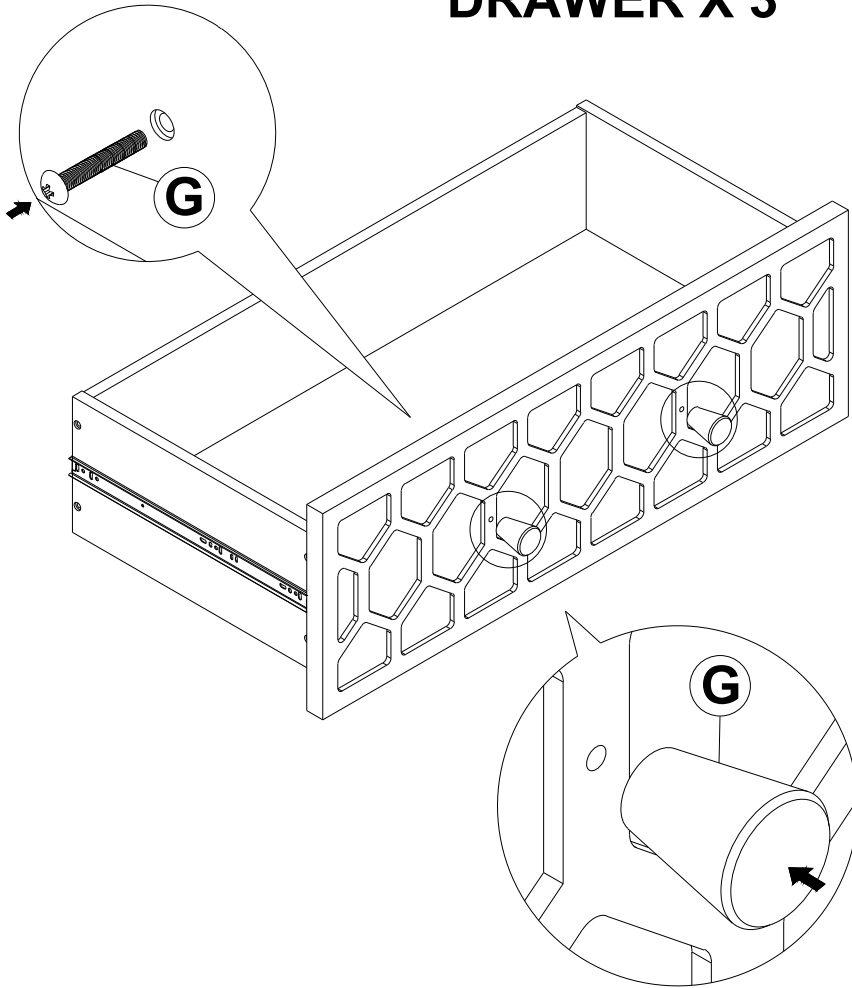

C X 12pcs


F X 12pcs

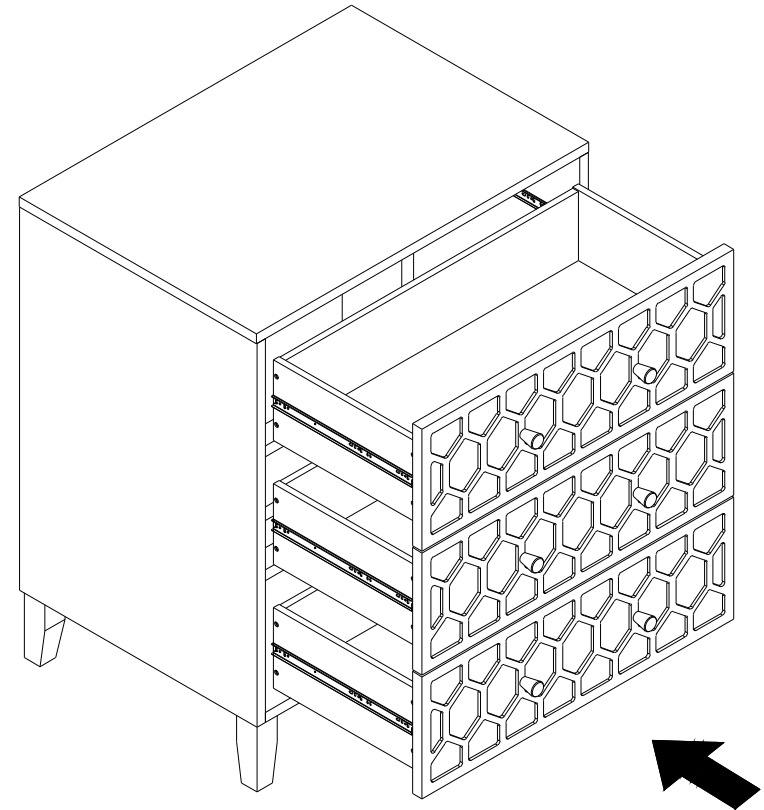


STEP 8

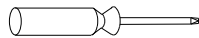
DRAWER X 3



STEP 9

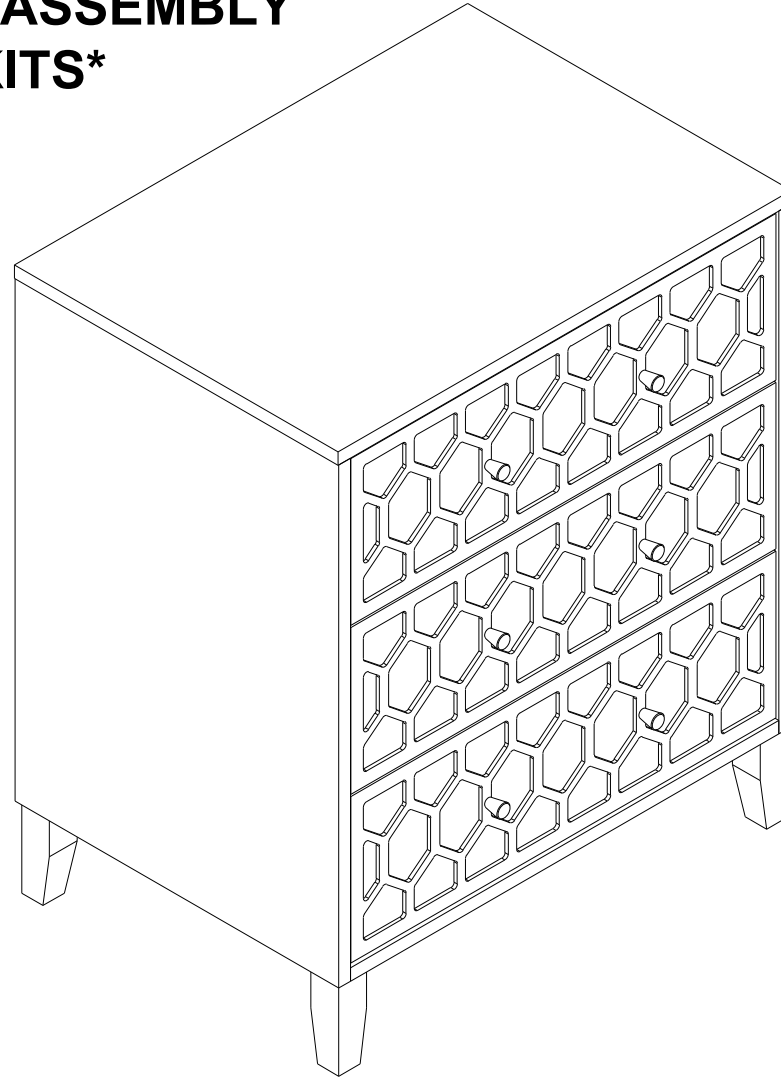



G X 6set



ASSEMBLY COMPLETE

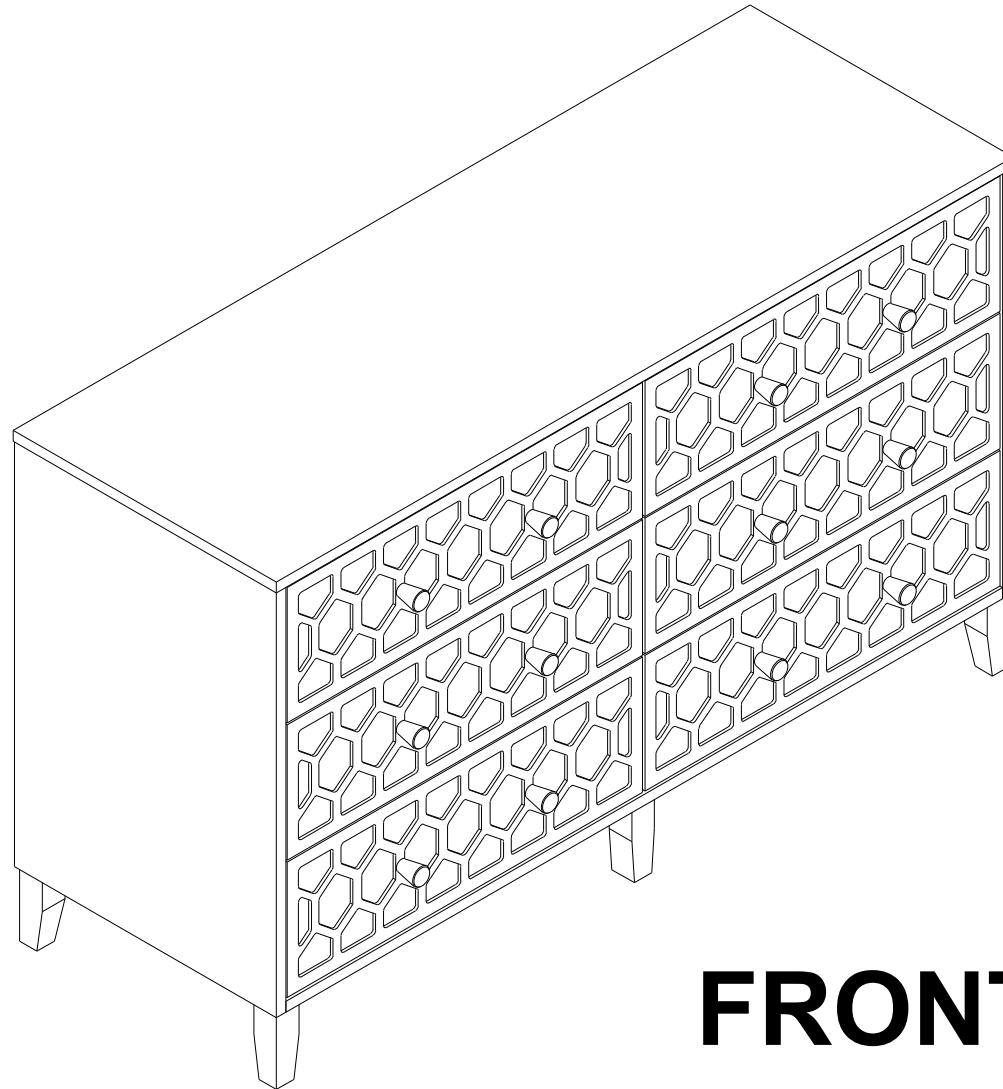
***CONTINUE TO ASSEMBLY
ANTI TIPPING KITS***



ASSEMBLY INSTRUCTION

SW 8000-61D6D

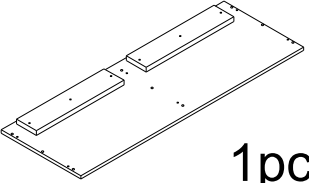
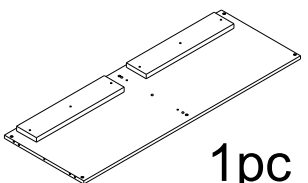
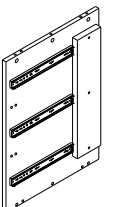
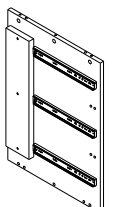
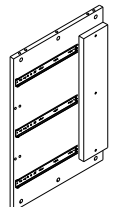
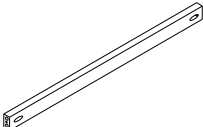
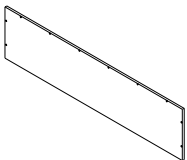
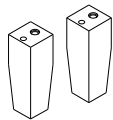
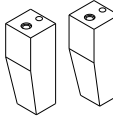
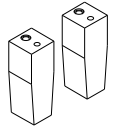
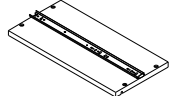
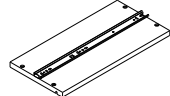
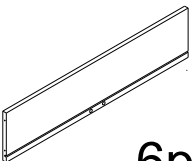
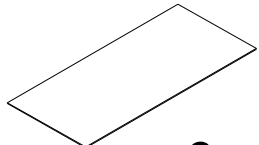
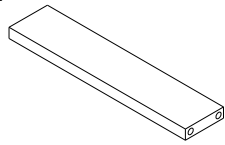
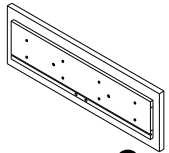
REAR



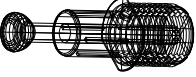


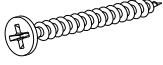

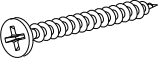
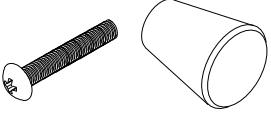
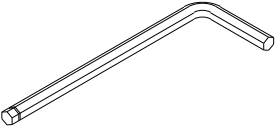
FRONT



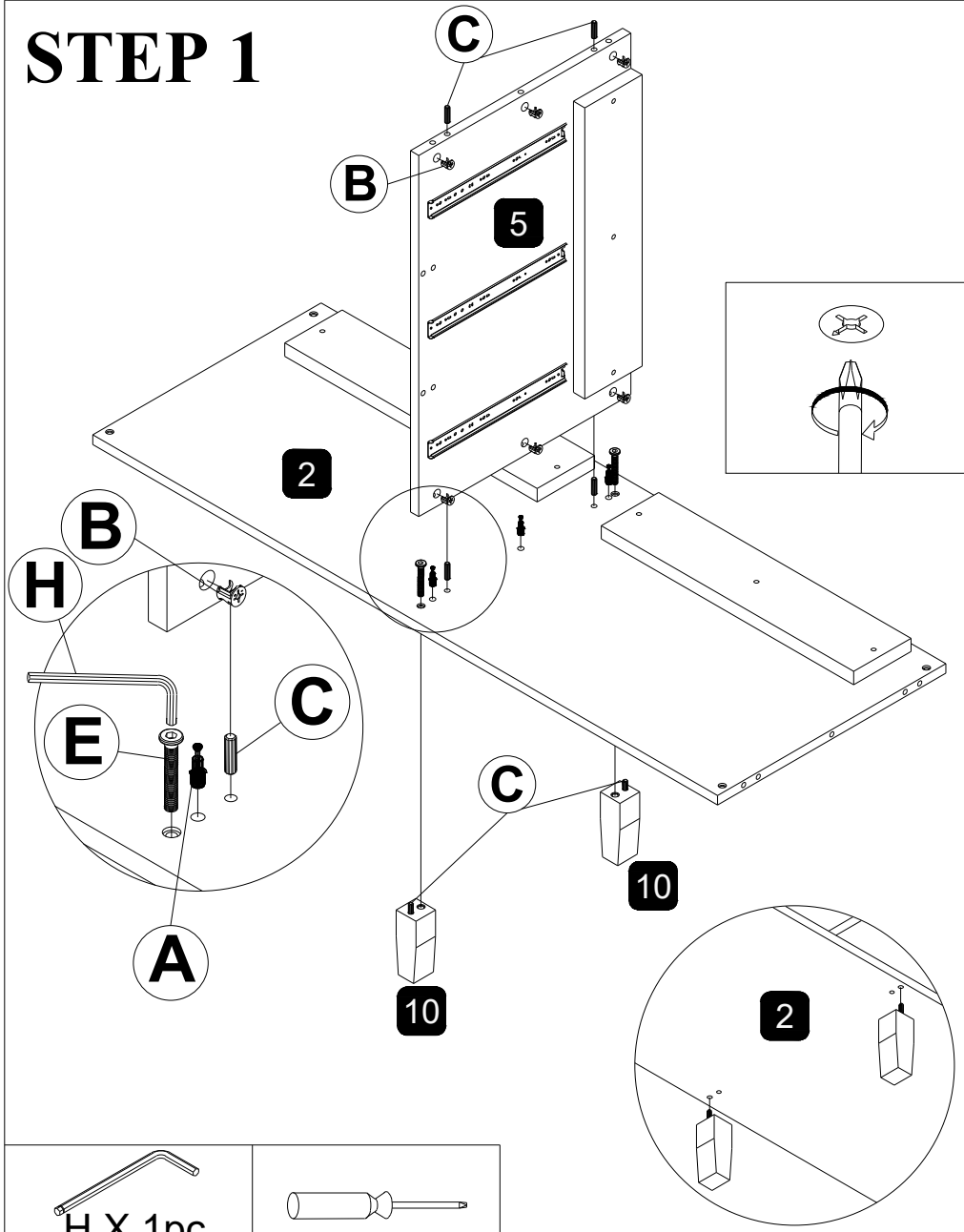
PART LIST

<p>1 Top Panel</p>  <p>1pc</p>	<p>2 Bottom Panel</p>  <p>1pc</p>	<p>3 Side Panel(left)</p>  <p>1pc</p>	<p>4 Side Panel(right)</p>  <p>1pc</p>	<p>5 Division</p>  <p>1pc</p>	<p>6 Support Rail</p>  <p>4pcs</p>
<p>7 Back Panel</p>  <p>2pcs</p>	<p>8 Post(left)</p>  <p>2pcs</p>	<p>9 Post(right)</p>  <p>2pcs</p>	<p>10 Post(center)</p>  <p>2pcs</p>	<p>11 Drawer Side Panel(left)</p>  <p>6pcs</p>	<p>12 Drawer Side Panel(right)</p>  <p>6pcs</p>
<p>13 Drawer Rear Panel</p>  <p>6pcs</p>	<p>14 Drawer Base Panel</p>  <p>6pcs</p>	<p>15 Drawer Support Rail</p>  <p>6pcs</p>	<p>16 Drawer Front Panel</p>  <p>6pcs</p>		

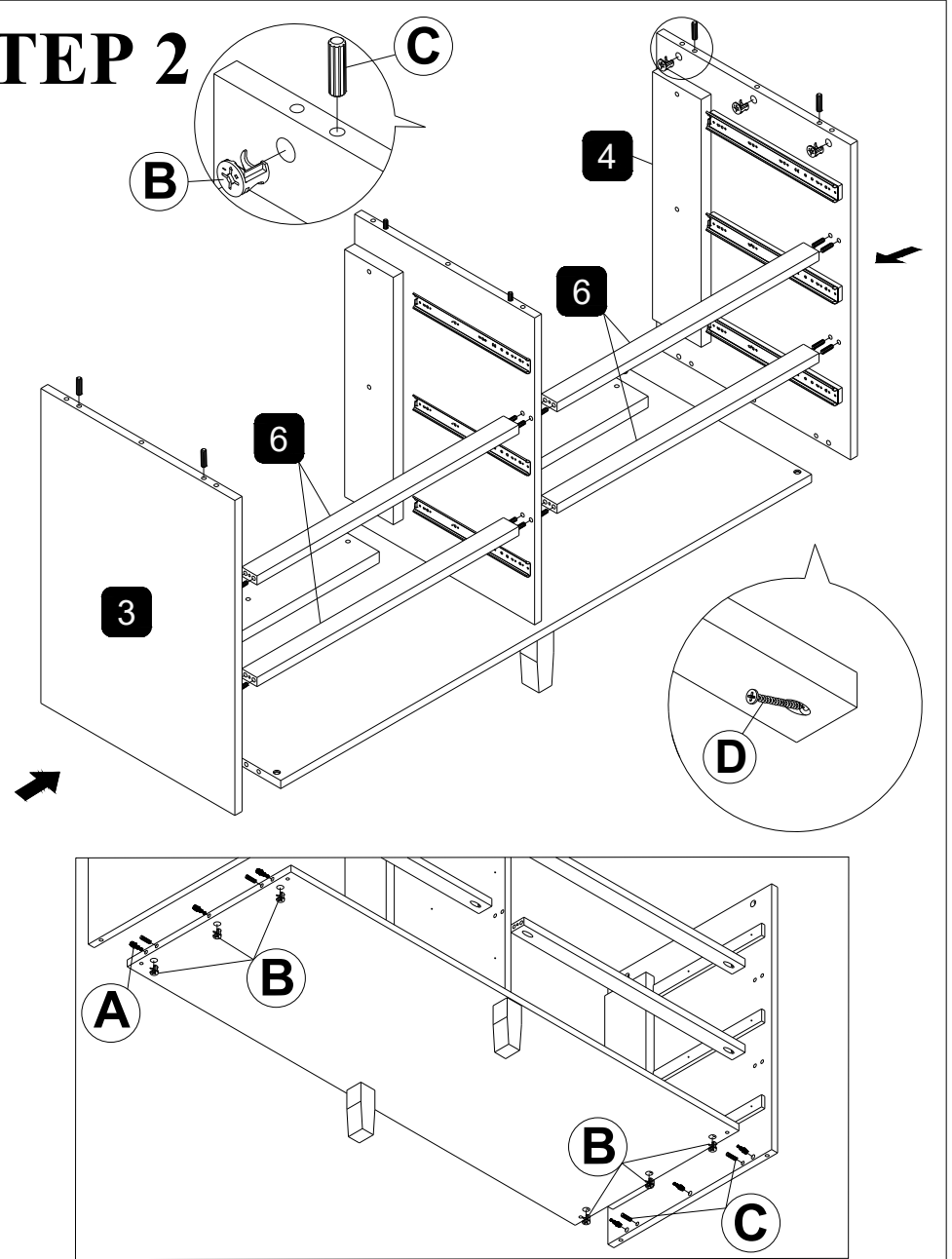
HARDWARE LIST


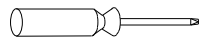
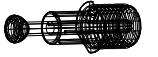

<p>A MINI FIX SPREADING BOLT 24MM</p>  <p>18pcs</p>	<p>B MINIFIX HOUSING Ø15*12MM</p>  <p>18pcs</p>	<p>C WOOD DOWEL M8*30MM</p>  <p>58pcs</p>	<p>D CSK SCREW M4*30MM</p>  <p>28pcs</p>	<p>E JCBC M6X40MM</p>  <p>6pcs</p>	<p>F CSK SCREW M4*25MM</p>  <p>48pcs</p>
<p>G HANDLE</p>  <p>12sets</p>	<p>H M4 ALLEN KEY</p>  <p>1pc</p>				



STEP 1

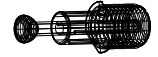


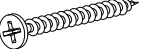


STEP 2

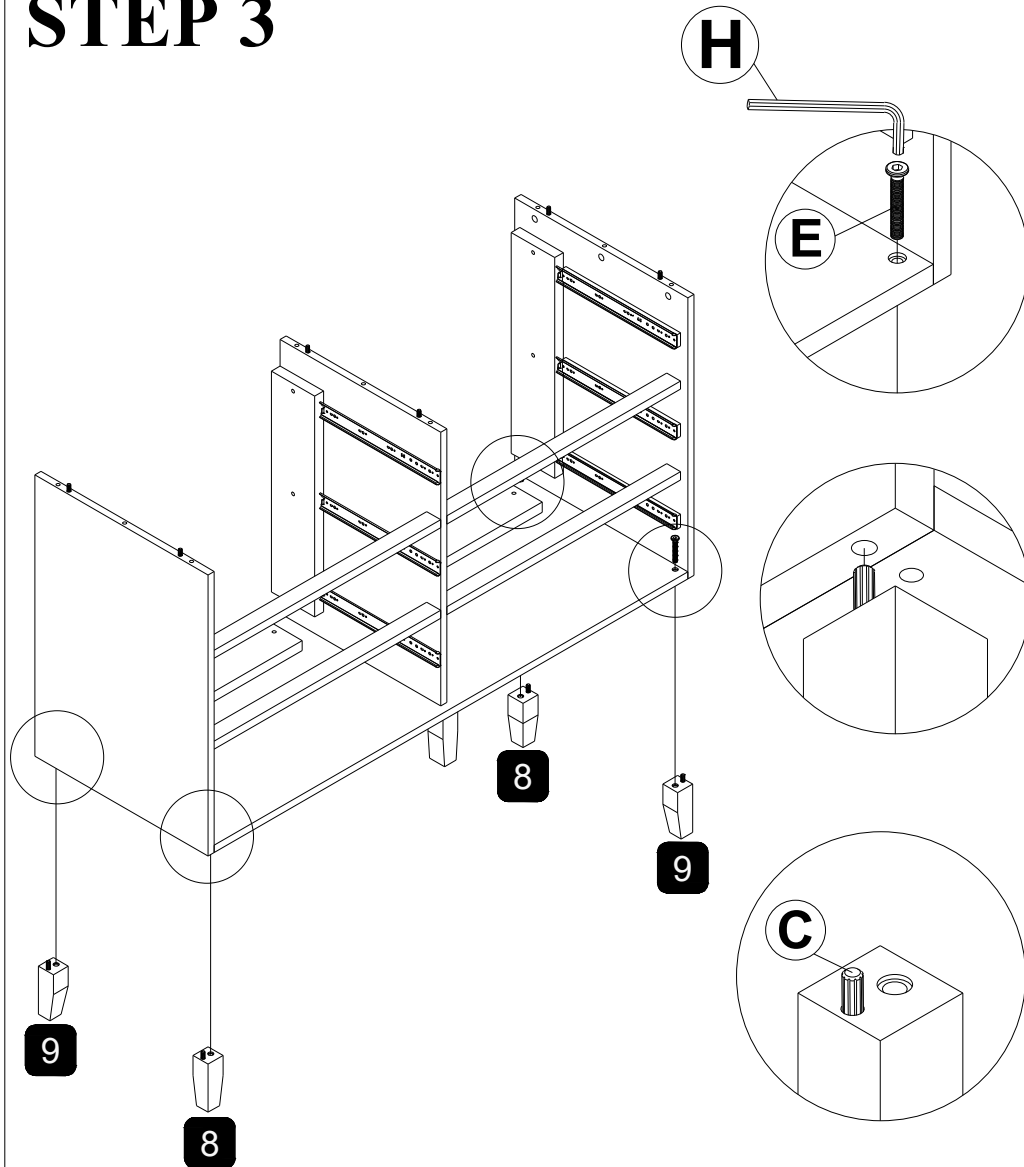



	
H X 1pc	
	
A X 3pcs	B X 6pcs

	
C X 6pcs	E X 2pcs


			
A X 6pcs	B X 12pcs	C X 24pcs	D X 8pcs

STEP 3

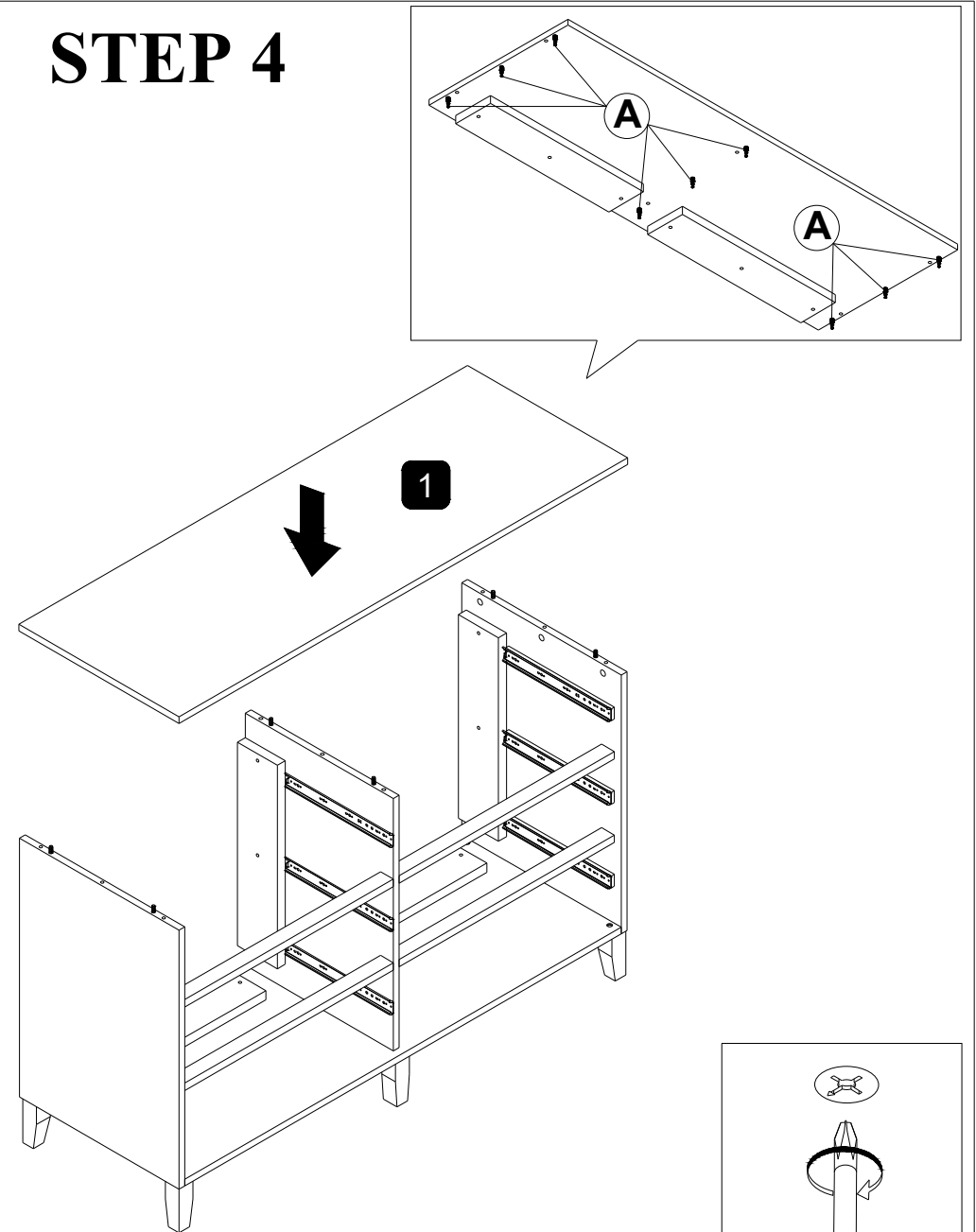




C X 4pcs

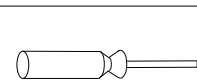

E X 4pcs


H X 1pc

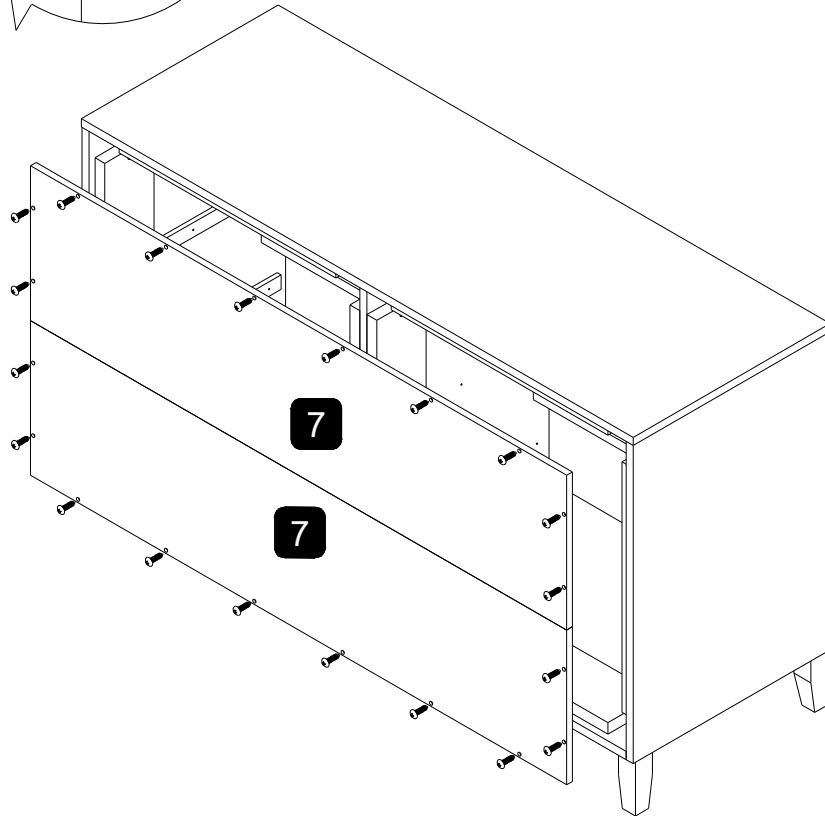
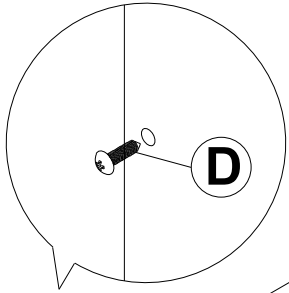
STEP 4

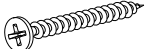



A X 9pcs



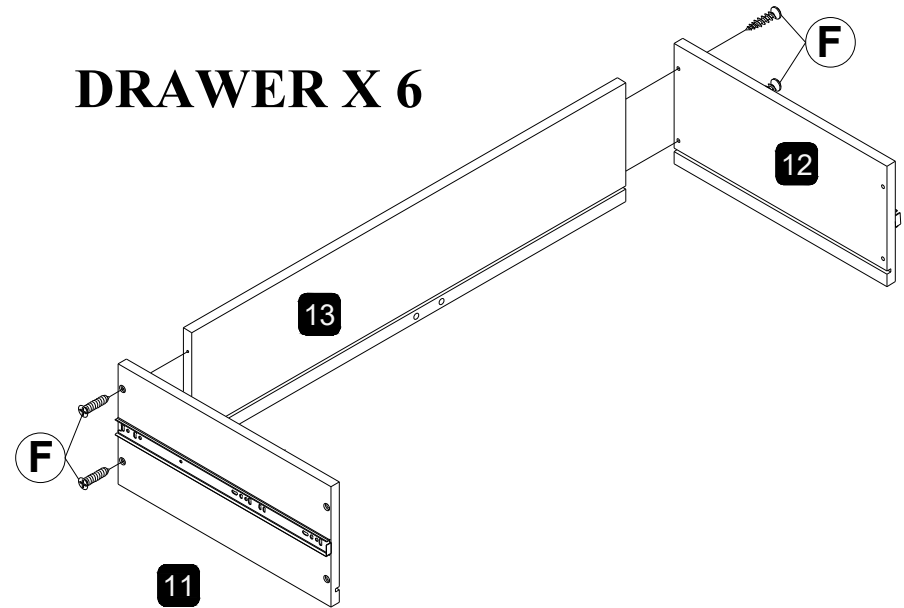
STEP 5

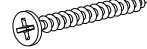



D X 20pcs

STEP 6

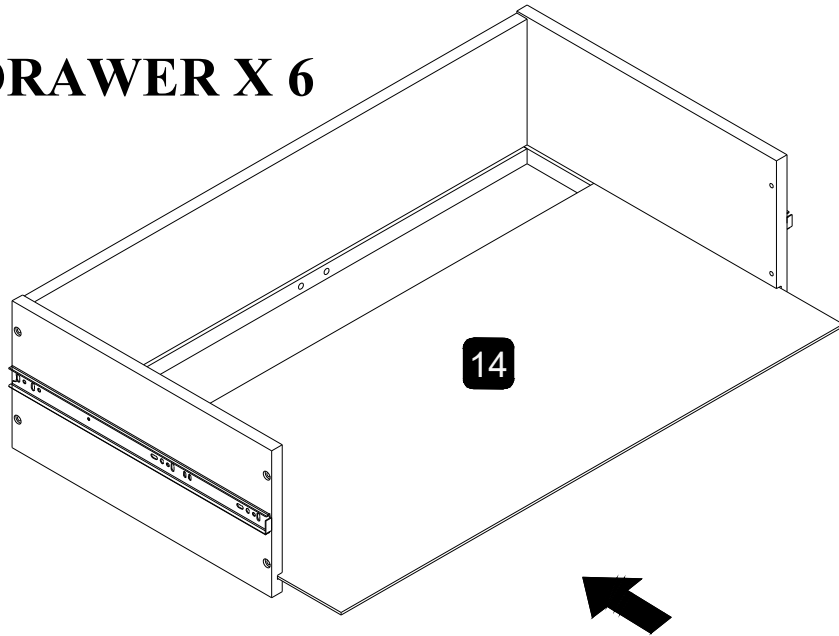
DRAWER X 6




F X 24pcs

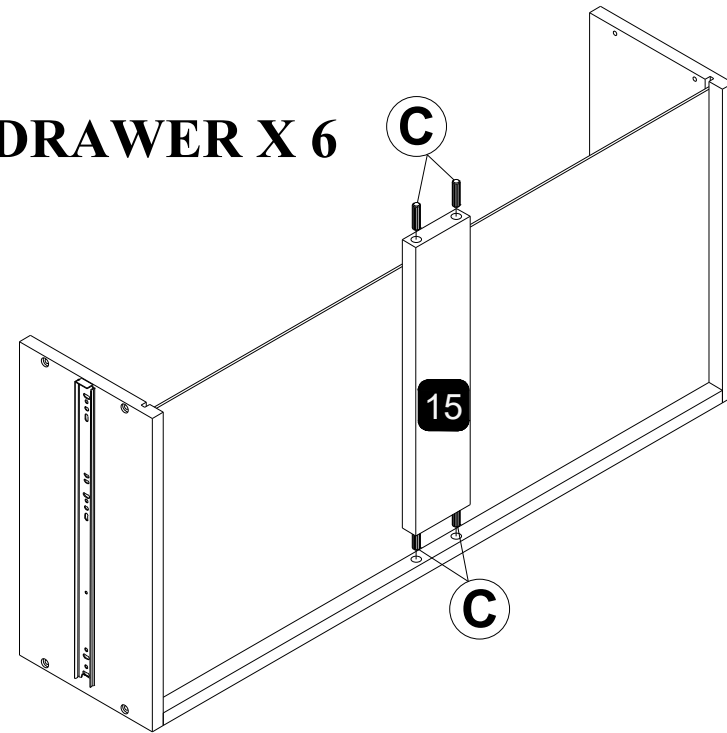
STEP 7

DRAWER X 6



STEP 8

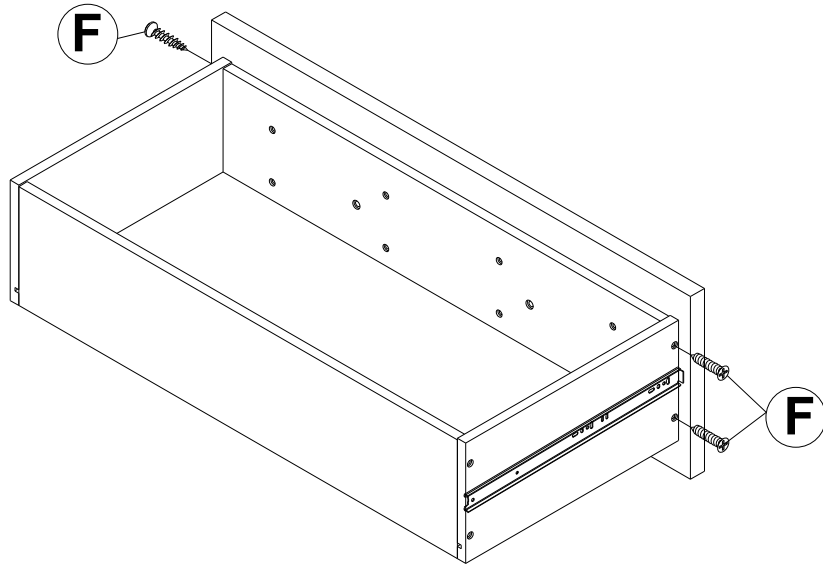
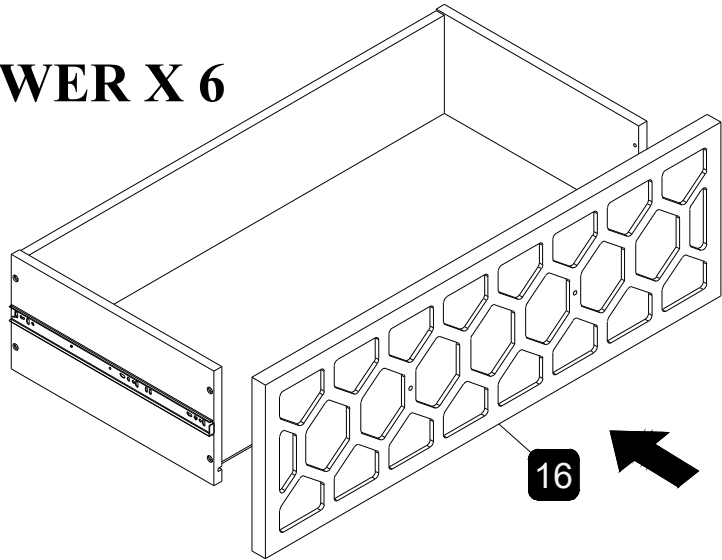
DRAWER X 6

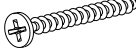


C X 24pcs

STEP 9

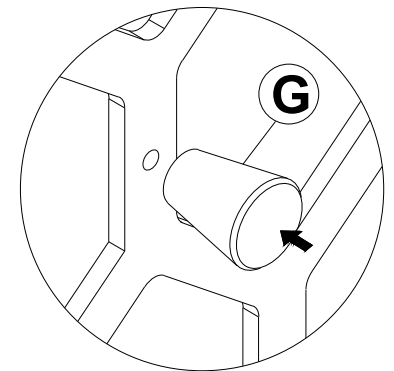
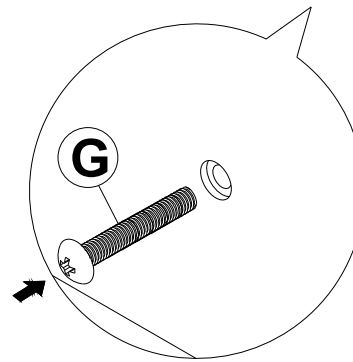
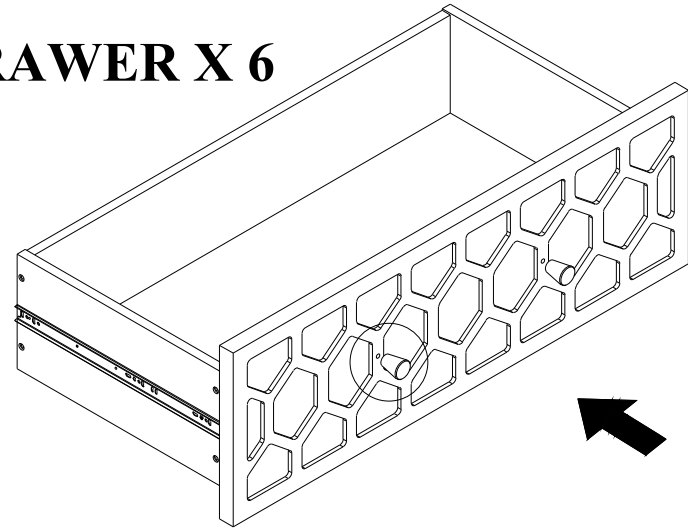
DRAWER X 6




FX 24pcs

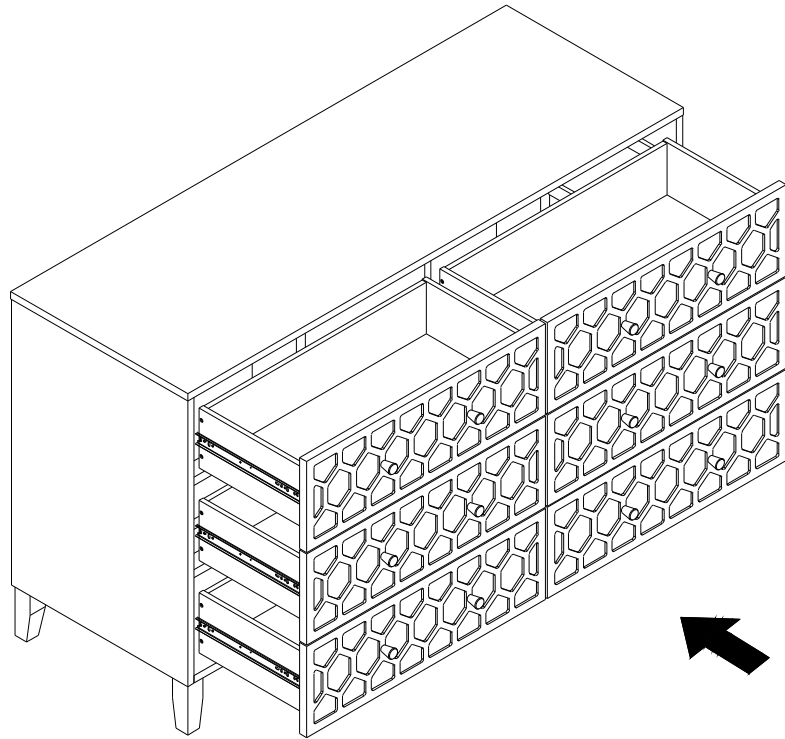
STEP 10

DRAWER X 6



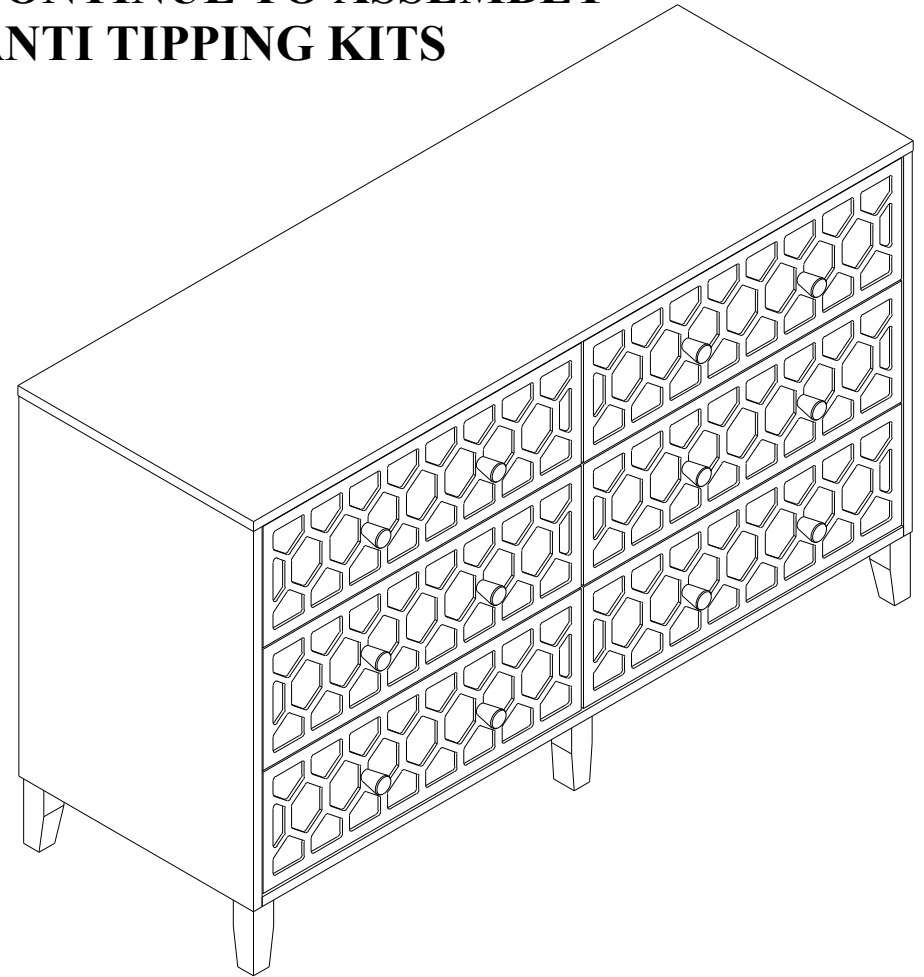

G X 12sets

STEP 11



ASSEMBLY COMPLETE

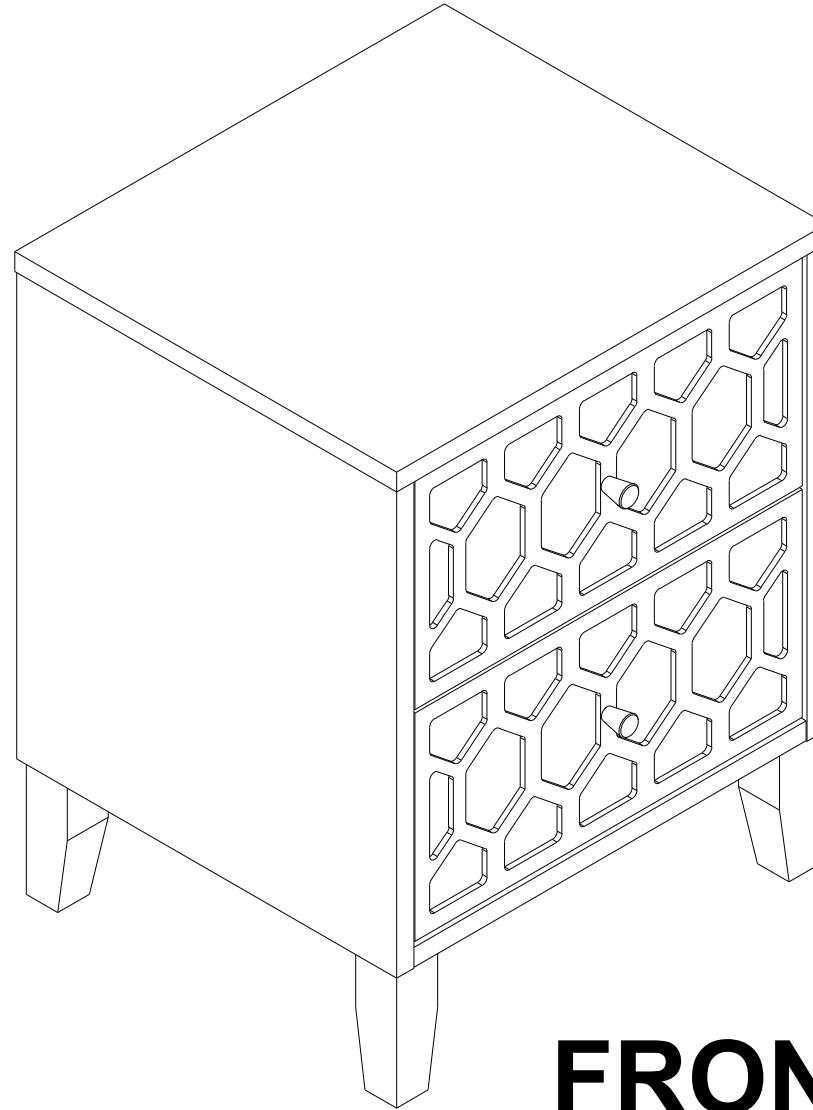
**CONTINUE TO ASSEMBLY
ANTI TIPPING KITS**



ASSEMBLY INSTRUCTION

SW 8000-61NS2D

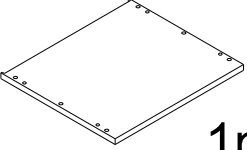
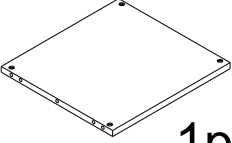
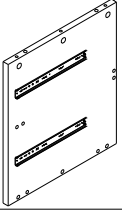
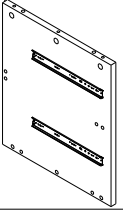
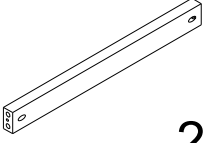
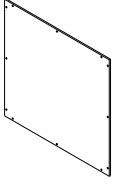
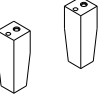
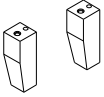
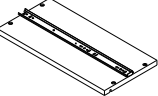
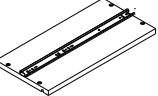
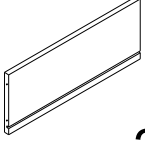
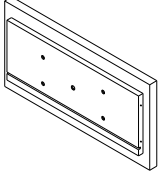
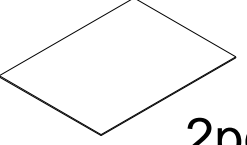
REAR



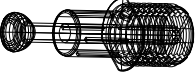


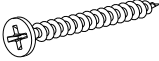

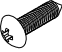
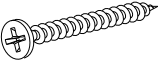
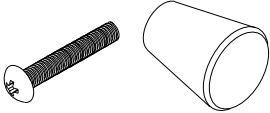
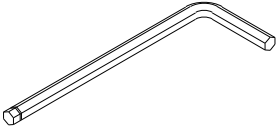
FRONT



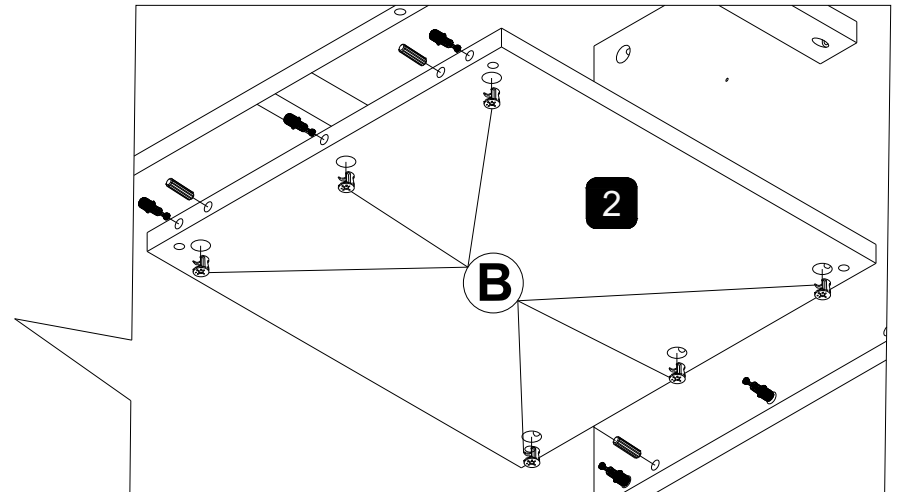
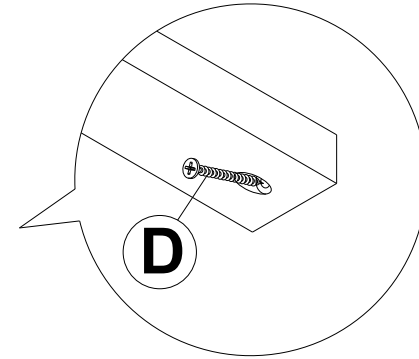
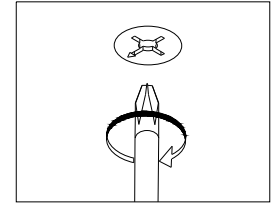
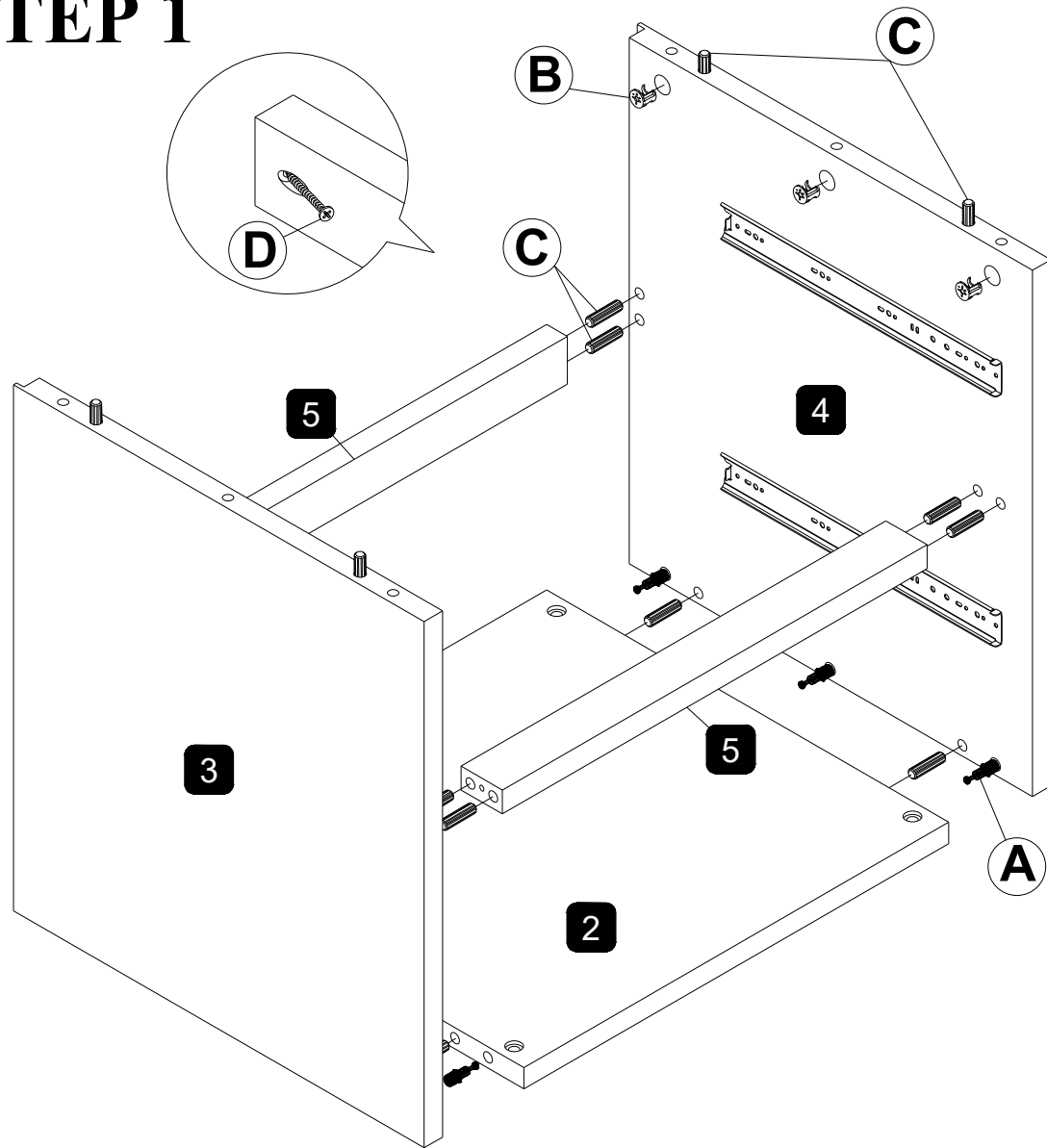
PART LIST

1 Top Panel  1pc	2 Bottom Panel  1pc	3 Side Panel(left)  1pc	4 Side Panel(right)  1pc	5 Support Rail  2pcs	6 Back Panel  1pc
7 Post(left)  2pcs	8 Post(right)  2pcs	9 Drawer Side Panel(left)  2pcs	10 Drawer Side Panel(right)  2pcs	11 Drawer Back Panel  2pcs	12 Drawer Front Panel  2pcs
13 Drawer Base Panel  2pcs					

HARDWARE LIST

<p>A MINI FIX SPREADING BOLT 24MM</p>  <p>12pcs</p>	<p>B MINIFIX HOUSING Ø15*12MM</p>  <p>12pcs</p>	<p>C WOOD DOWEL M8*30MM</p>  <p>20pcs</p>	<p>D CSK SCREW M4*30MM</p>  <p>4pcs</p>	<p>E JCBC M6X40MM</p>  <p>4pcs</p>	<p>F PAN HEAD M3.5*16MM</p>  <p>12pcs</p>
<p>G CSK SCREW M4*25MM</p>  <p>16pcs</p>	<p>H HANDLE</p>  <p>2sets</p>	<p>I M4 ALLEN KEY</p>  <p>1pc</p>			

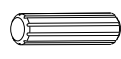
STEP 1



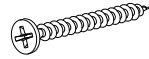
A X 6pcs



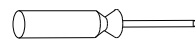
B X 12pcs



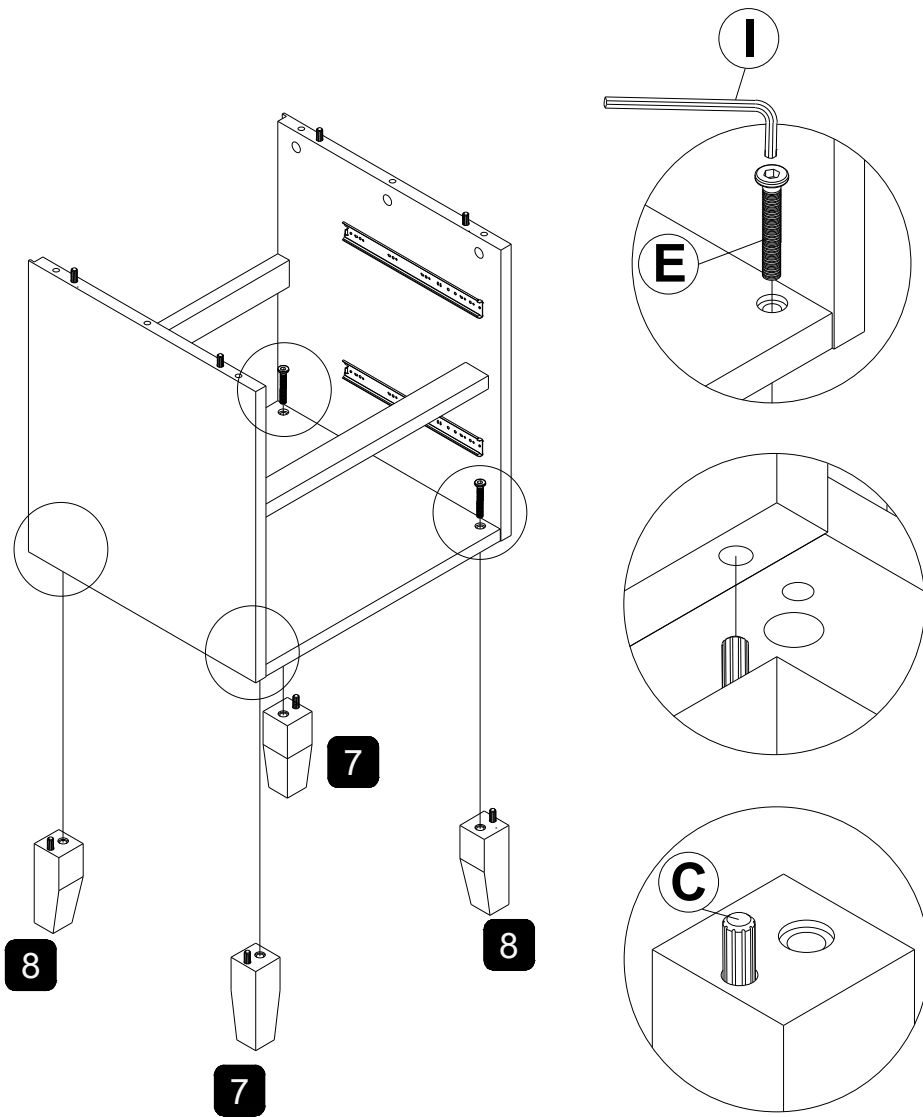
C X 16pcs



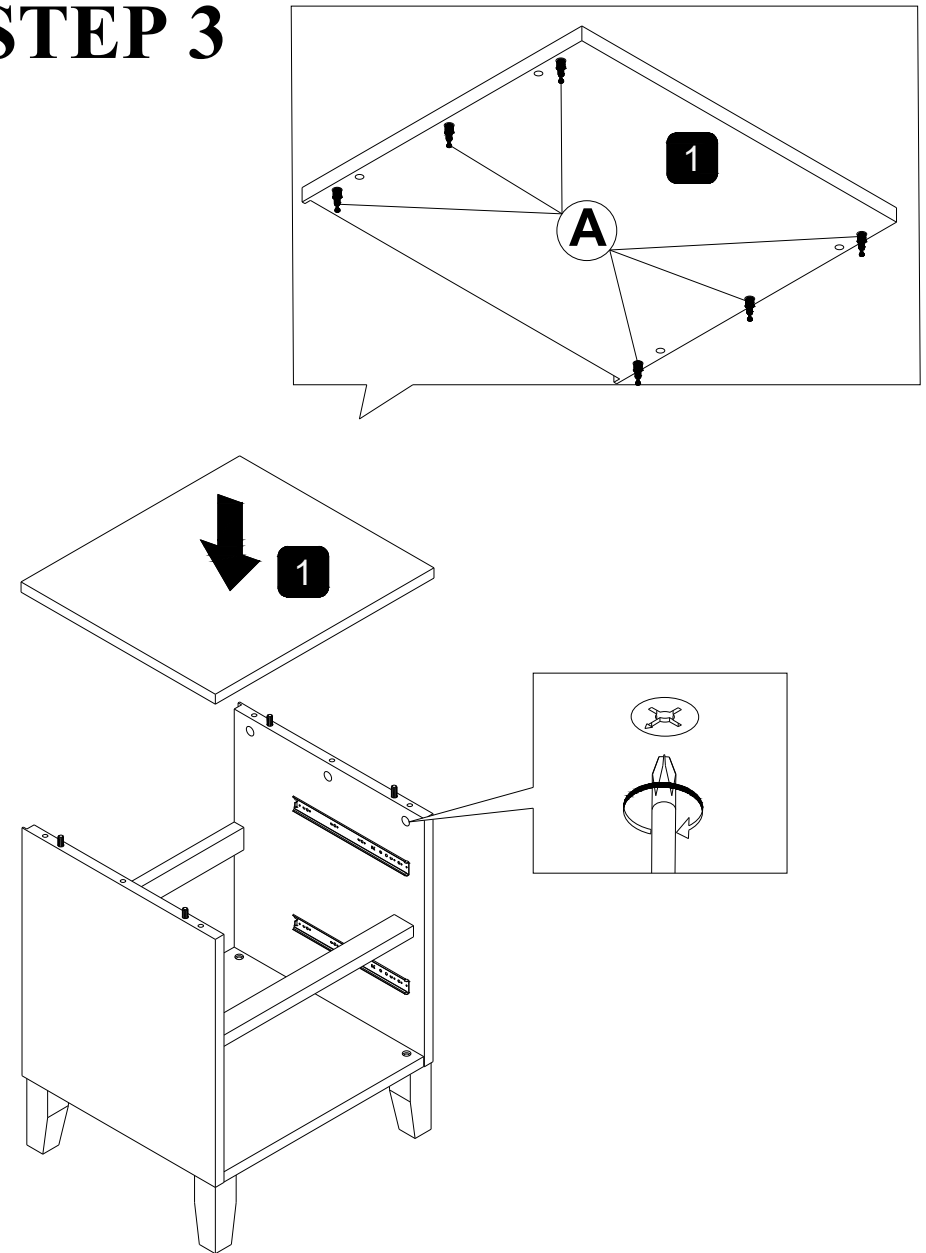
D X 4pcs




STEP 2





STEP 3





C X 4pcs

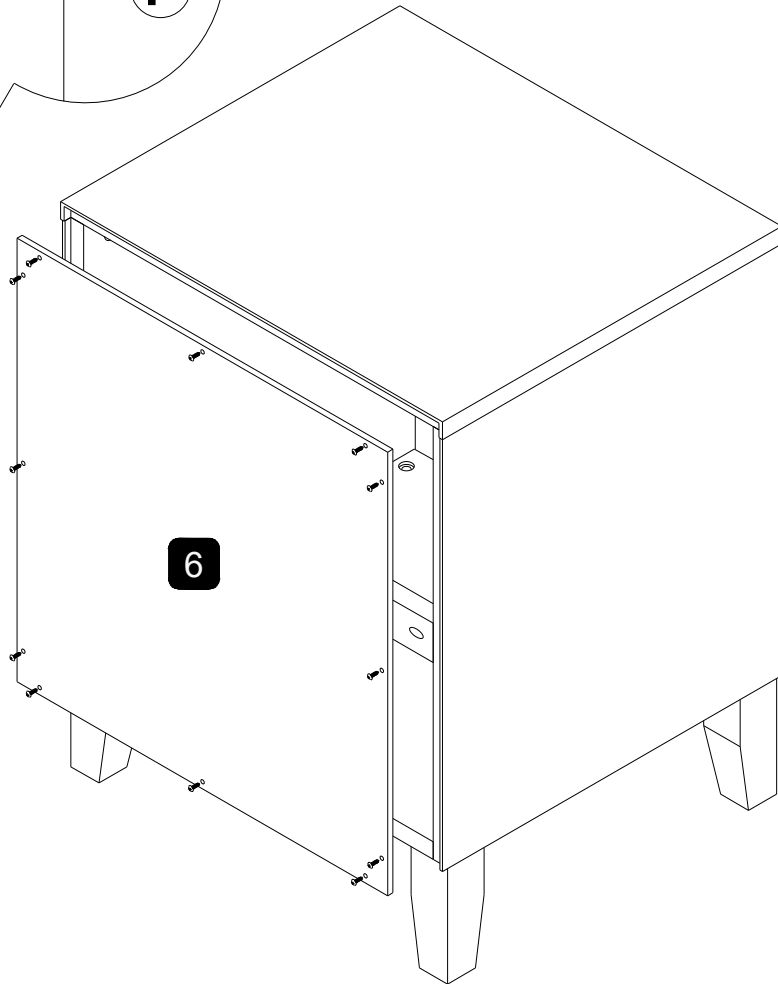
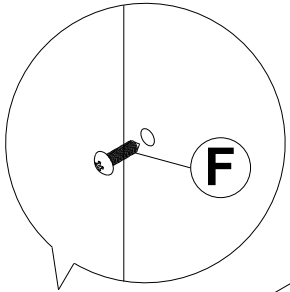

E X 4pcs


I X 1pc


A X 6pcs

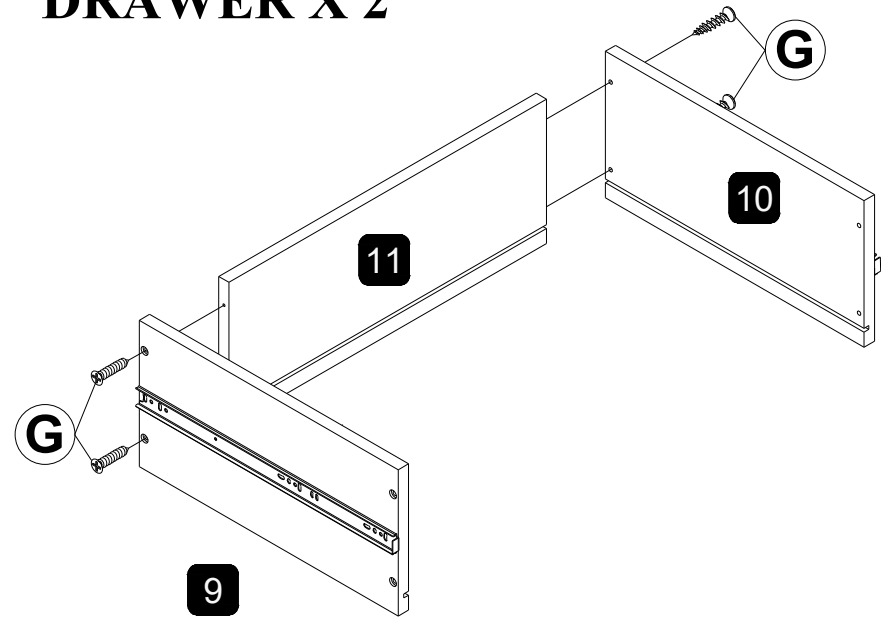


STEP 4



STEP 5

DRAWER X 2



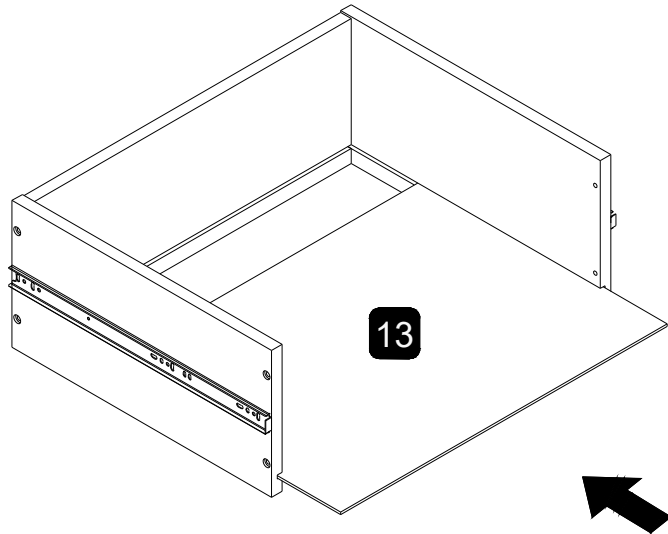
F X 12pcs



G X 8pcs

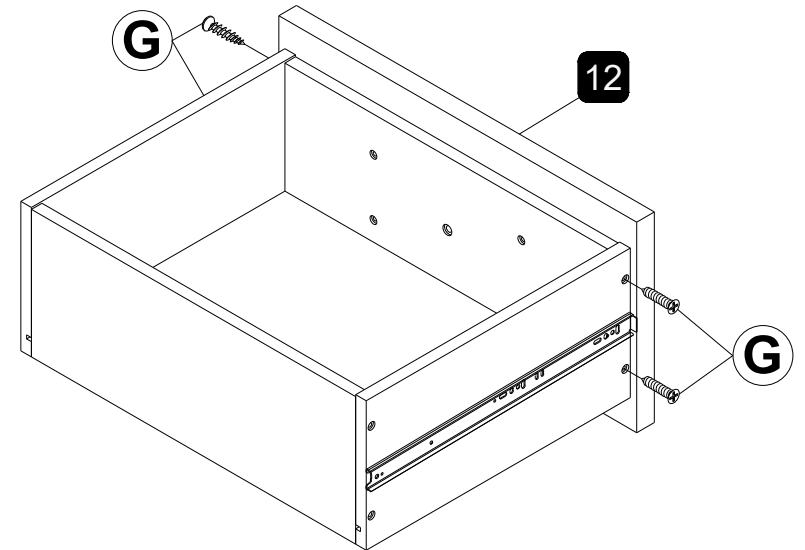
STEP 6

DRAWER X 2



STEP 7

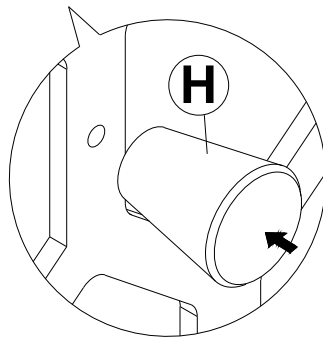
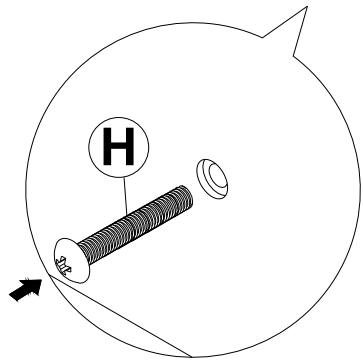
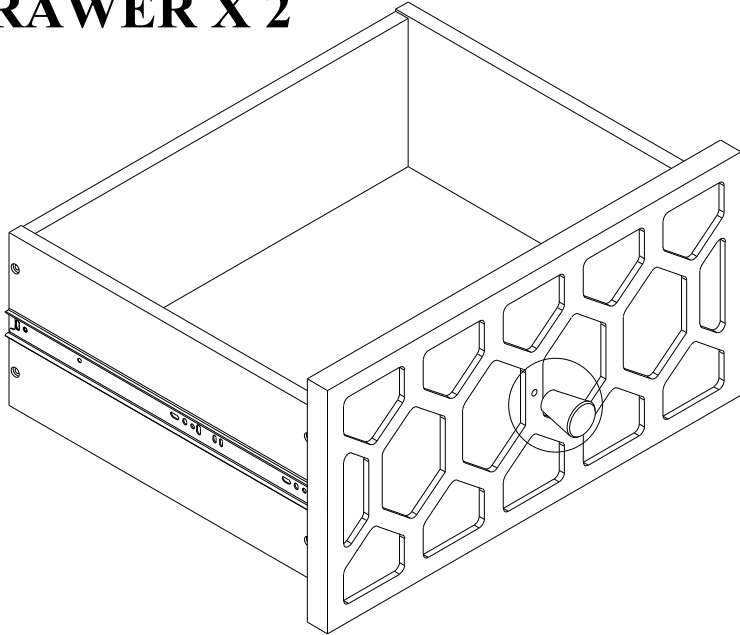
DRAWER X 2



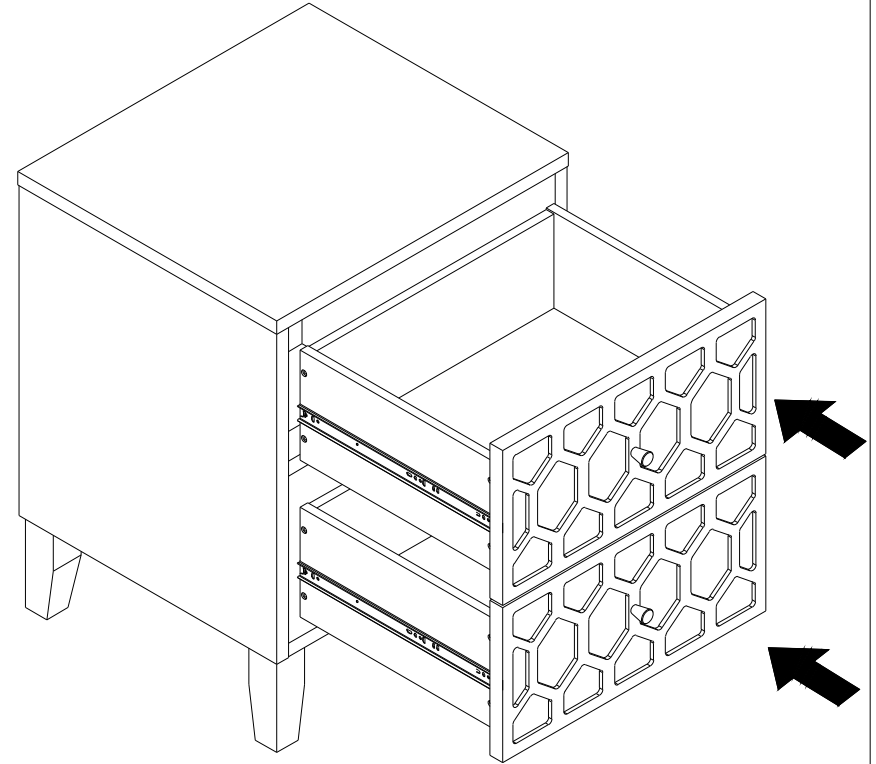
G X 8pcs


STEP 8

DRAWER X 2

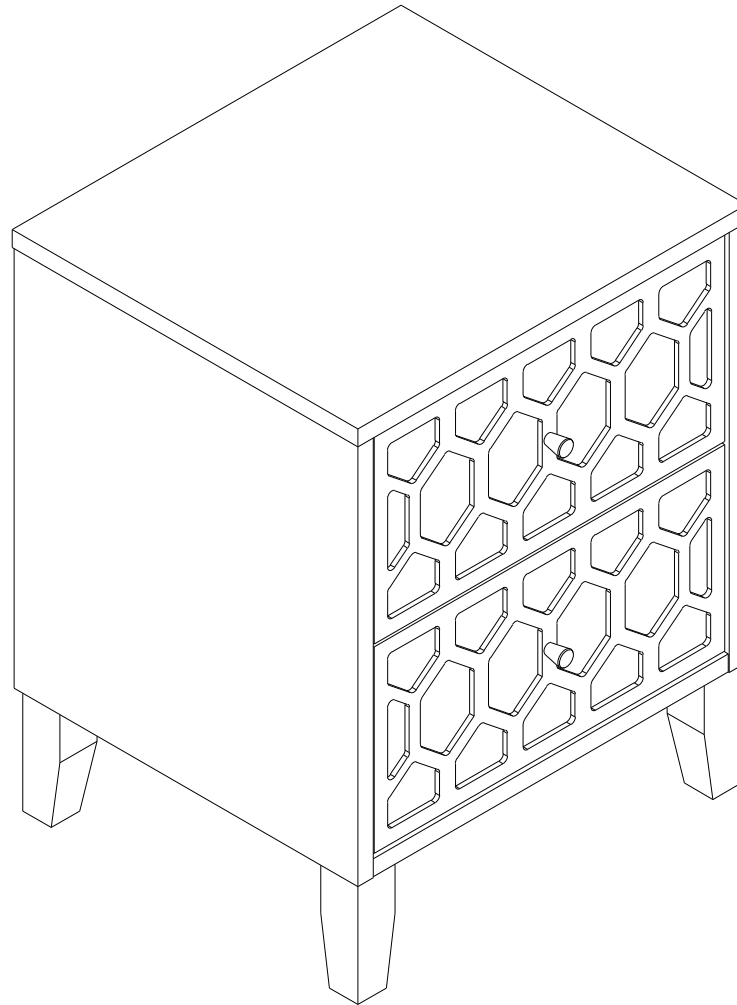


STEP 9




H X 2sets

ASSEMBLY COMPLETE



--	--	--	--	--	--	--	--