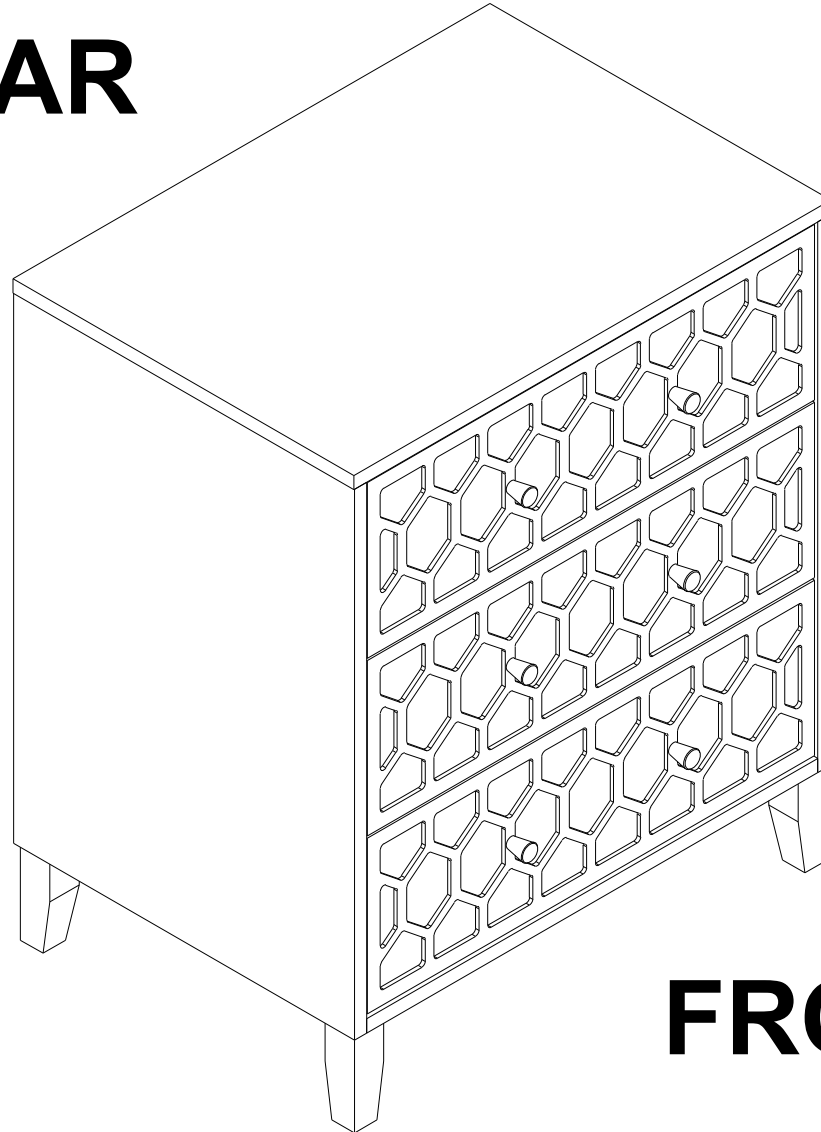


# ASSEMBLY INSTRUCTION

## SW 8000-61CH3D

**REAR**



**FRONT**





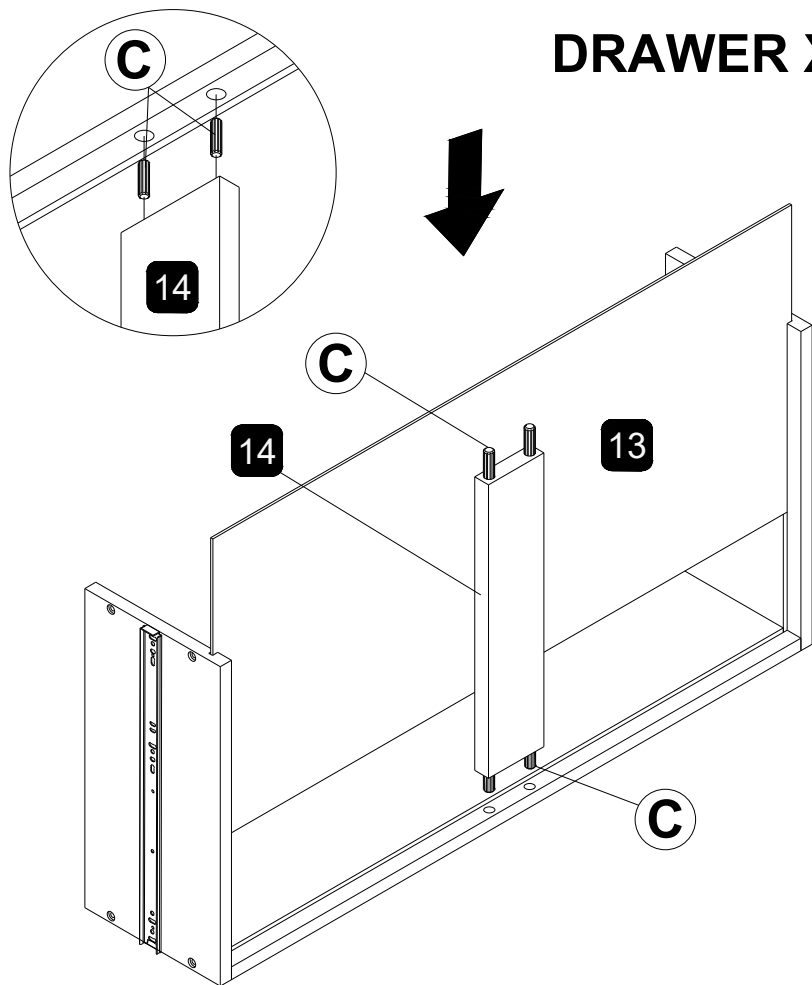






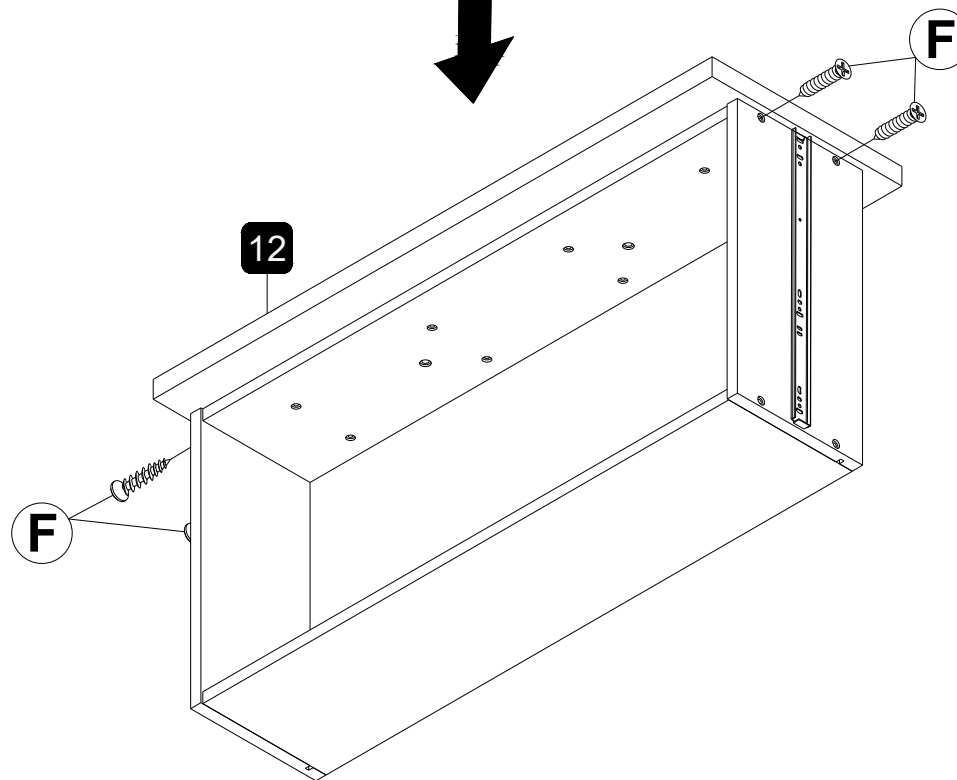
# STEP 6


DRAWER X 3




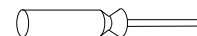
# STEP 7

DRAWER X 3



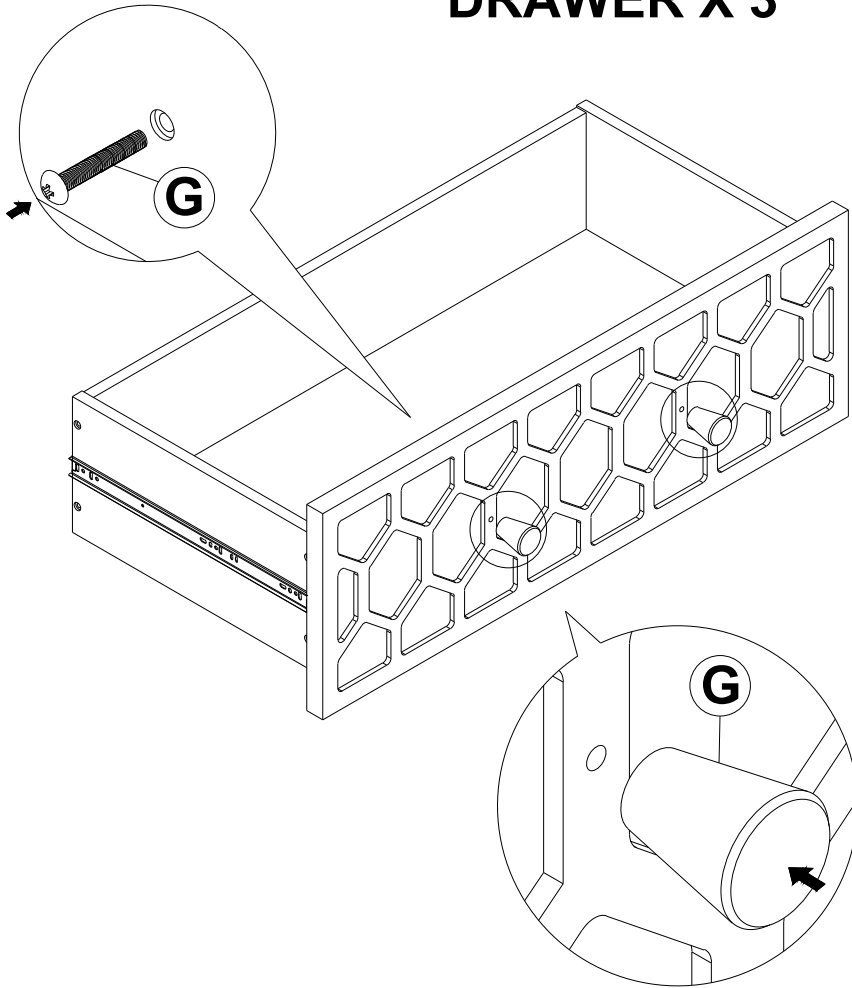
  
C X 12pcs

  
F X 12pcs

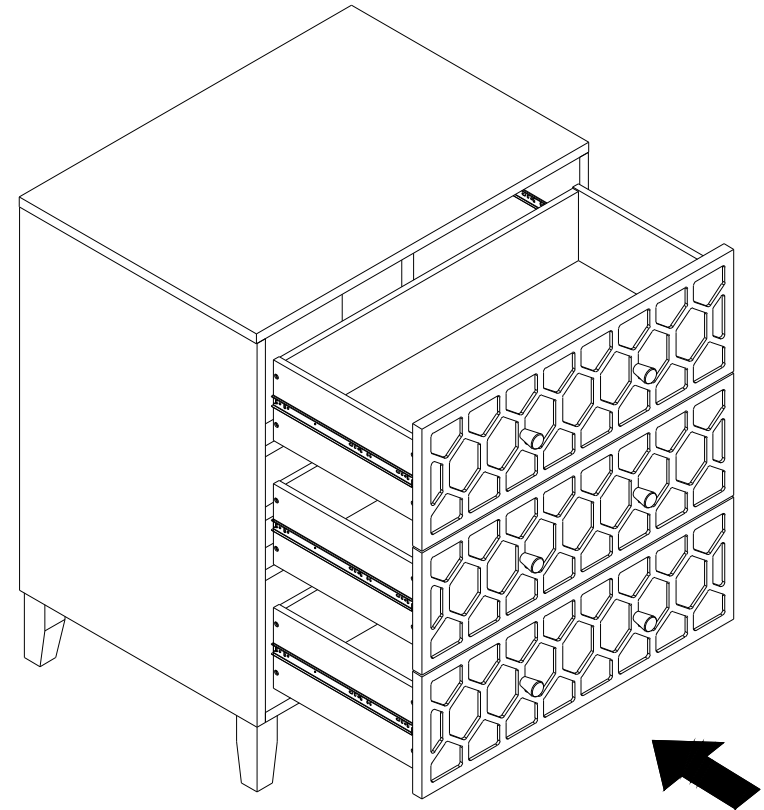


# STEP 8

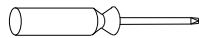
**DRAWER X 3**



# STEP 9



  
G X 6set



# ASSEMBLY COMPLETE

**\*CONTINUE TO ASSEMBLY  
ANTI TIPPING KITS\***

