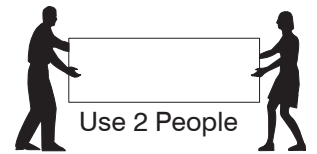
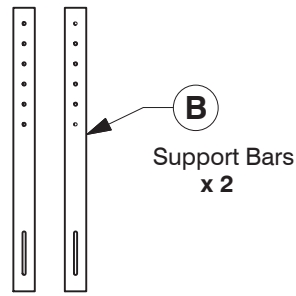
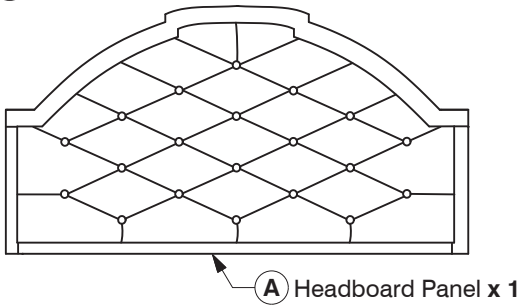


# 9776 Full / Queen Headboard

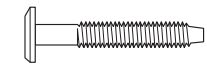
Assembly Instructions

WI-0622

## 1 Parts List



## 2 Hardware List



**1** M6 x 35mm JCB  
x 10



**2** Spring Washer  
x 10



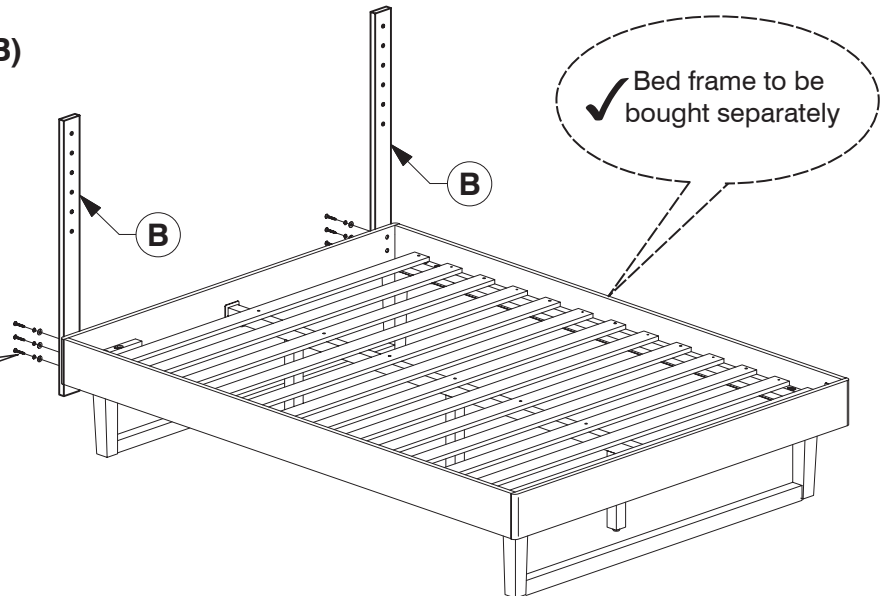
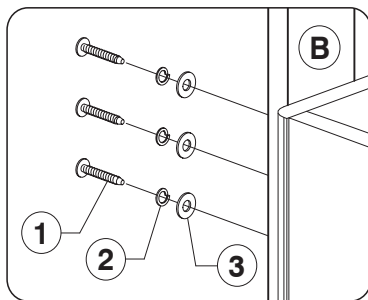
**3** Flat Washer  
x 10



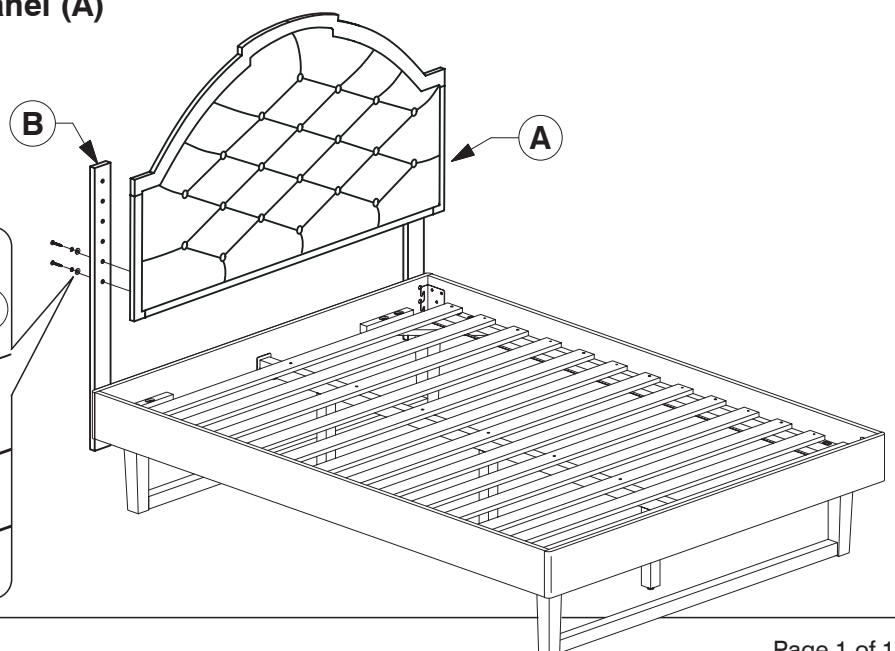
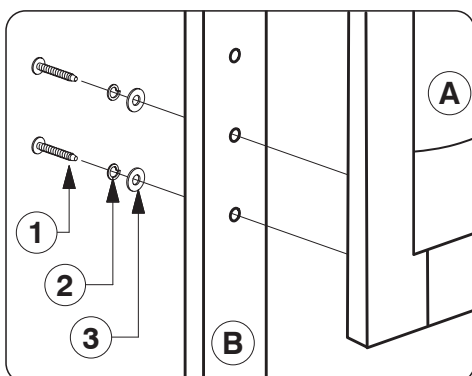
**4** Allen Key  
x 1

Note: Do not assemble using power tools. This can cause the bolts to be overtightened

## 3 Assemble the Support Bars (B) to the Headboard Panel (A).



## 4 Assemble the Headboard Panel (A) to the Support Bars (B).

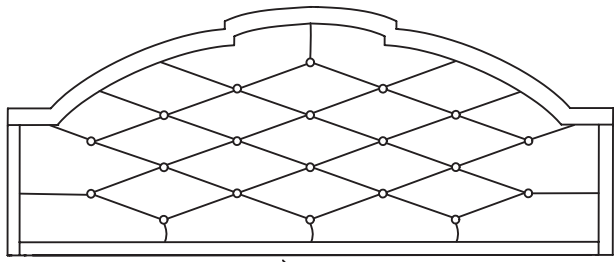


# 9776 King Headboard

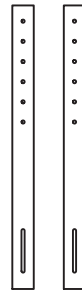
Assembly Instructions

WI-0622

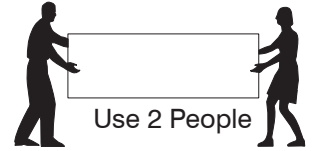
## 1 Parts List



**A** Headboard Panel x 1



**B**  
Support Bars  
x 2



**Note:** Do not assemble using power tools. This can cause the bolts to be overtightened

## 2 Hardware List



**1** M6 X 35mm JCB  
x 10



**2** Spring Washer  
x 10

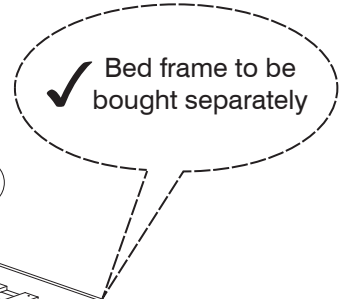
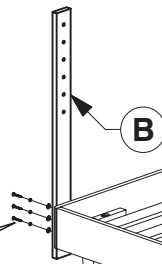
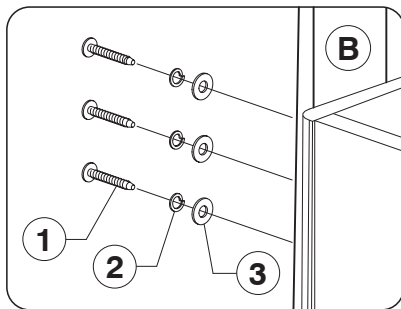


**3** Flat Washer  
x 10

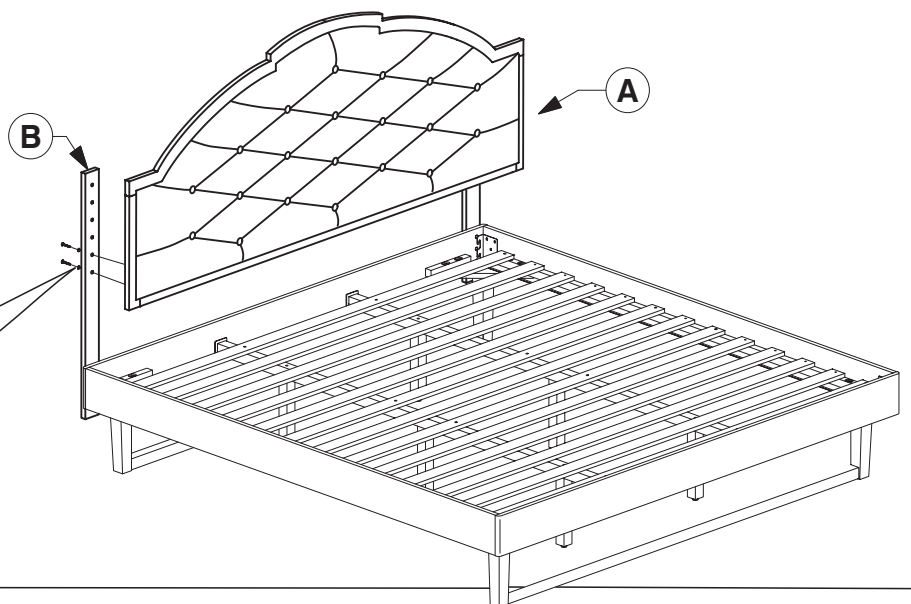
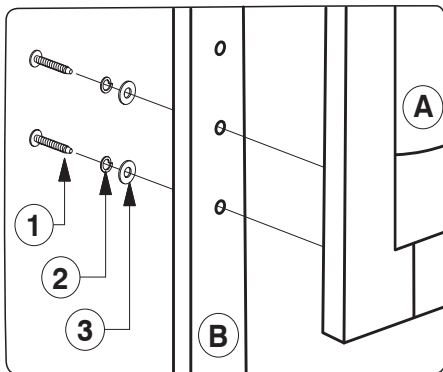


**4** Allen Key  
x 1

## 3 Assemble the Support Bars (B) to the Headboard Panel.



## 4 Assemble the Headboard Panel (A) to the Support Bars (B).

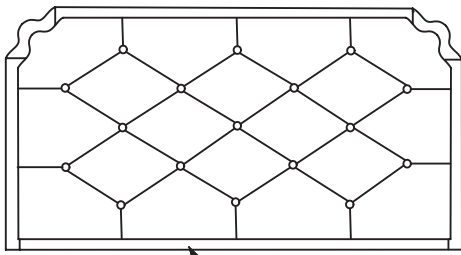


# 9772 Full / Queen Headboard

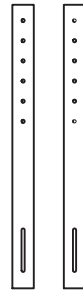
Assembly Instructions

WI-0622

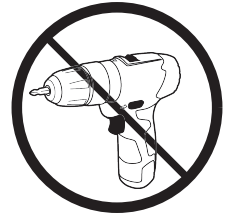
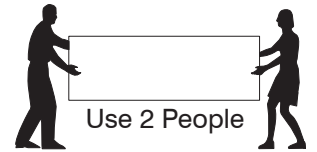
## 1 Parts List



**A** Headboard Panel x 1



**B**  
Support Bars  
x 2



## 2 Hardware List



**1** M6 x 35mm JCB  
x 10



**2** Spring Washer  
x 10



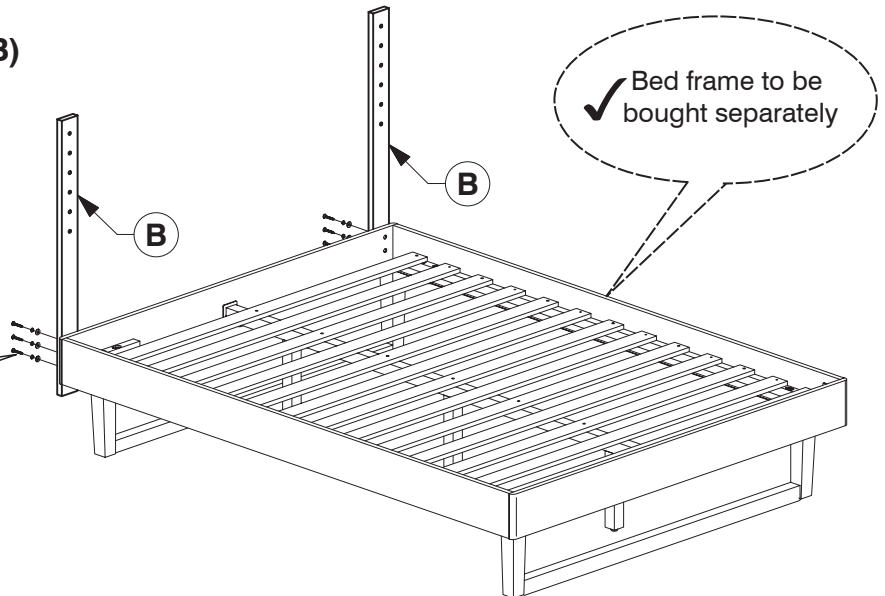
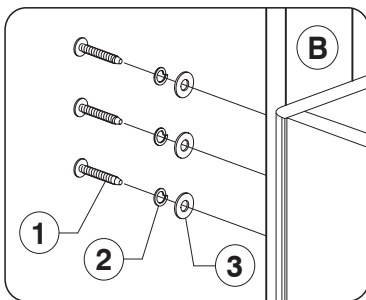
**3** Flat Washer  
x 10



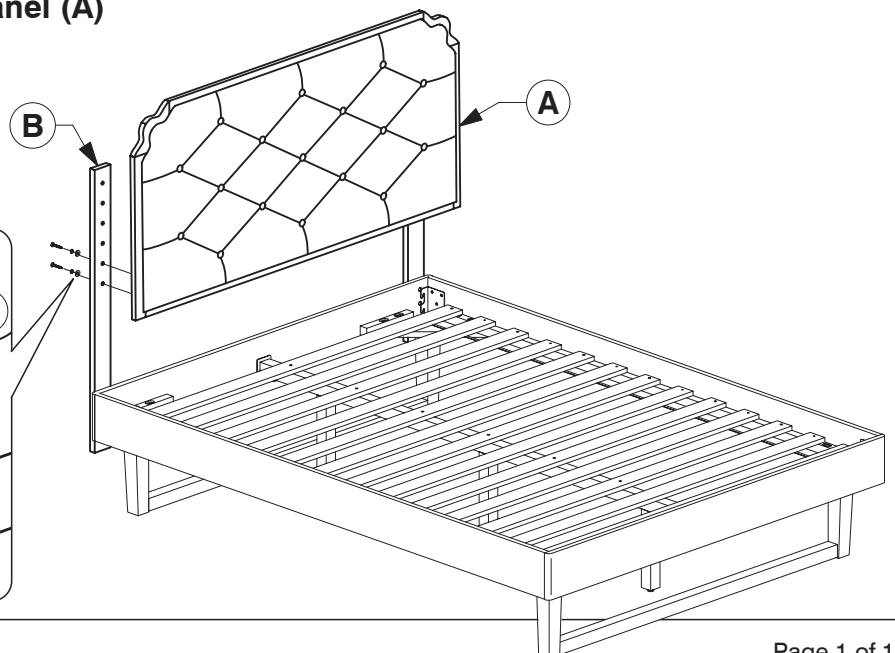
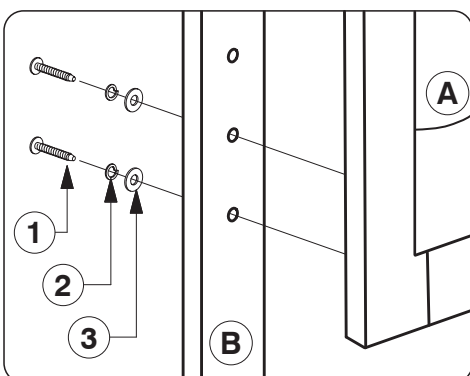
**4** Allen Key  
x 1

Note: Do not assemble using power tools. This can cause the bolts to be overtightened.

## 3 Assemble the Support Bars (B) to the Headboard Panel (A).



## 4 Assemble the Headboard Panel (A) to the Support Bars (B).

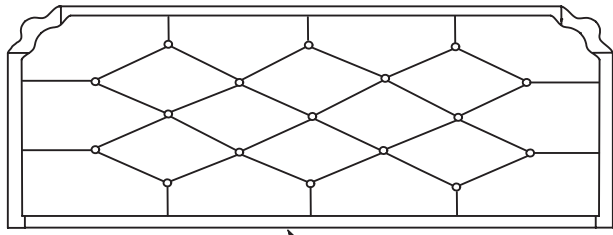


# 9772 King Headboard

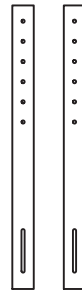
Assembly Instructions

WI-0622

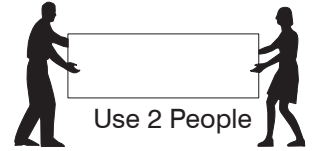
## 1 Parts List



**A** Headboard Panel x 1



**B**  
Support Bars  
x 2



**Note:** Do not assemble using power tools. This can cause the bolts to be overtightened.

## 2 Hardware List



**1** M6 X 35mm JCB  
x 10



**2** Spring Washer  
x 10

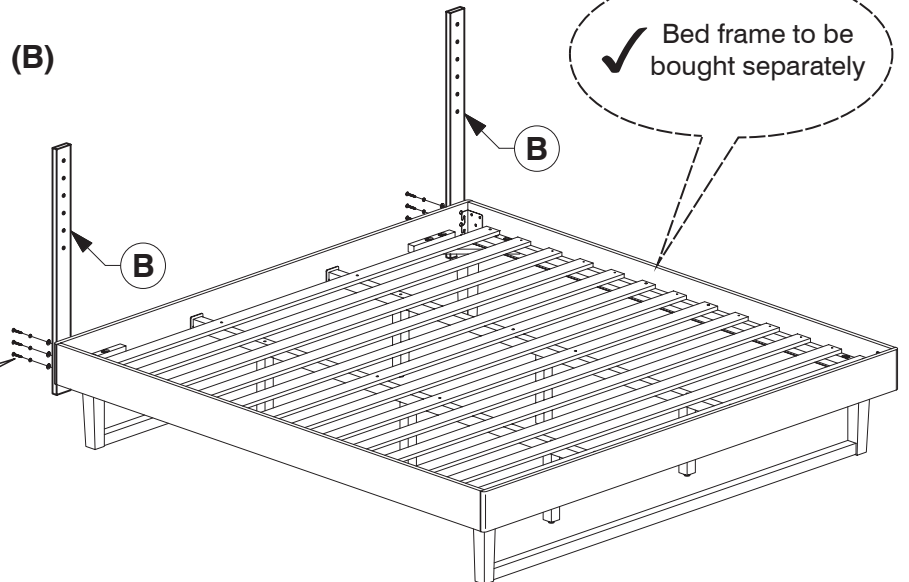
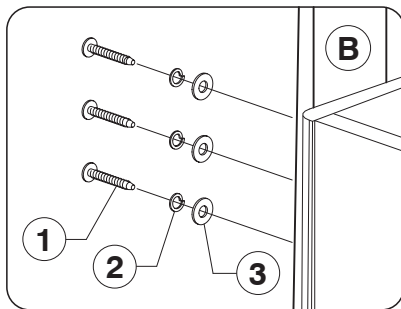


**3** Flat Washer  
x 10

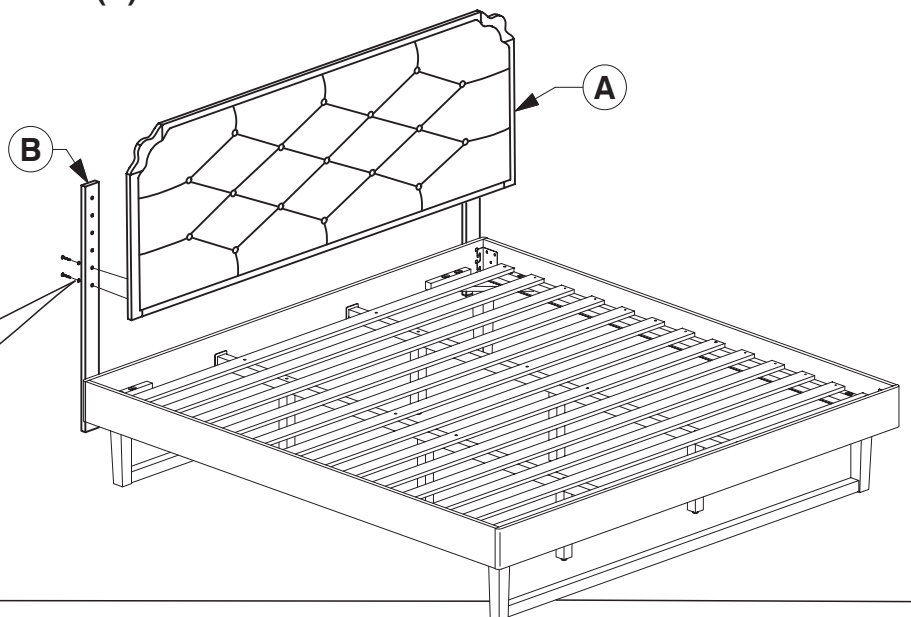
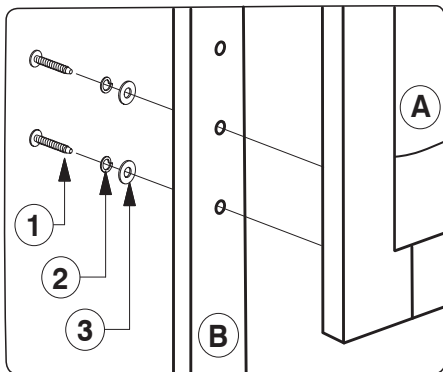


**4** Allen Key  
x 1

## 3 Assemble the Support Bars (B) to the Headboard Panel.



## 4 Assemble the Headboard Panel (A) to the Support Bars (B).

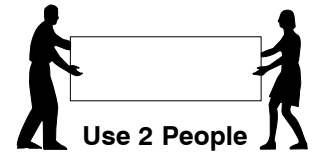


# King Bed

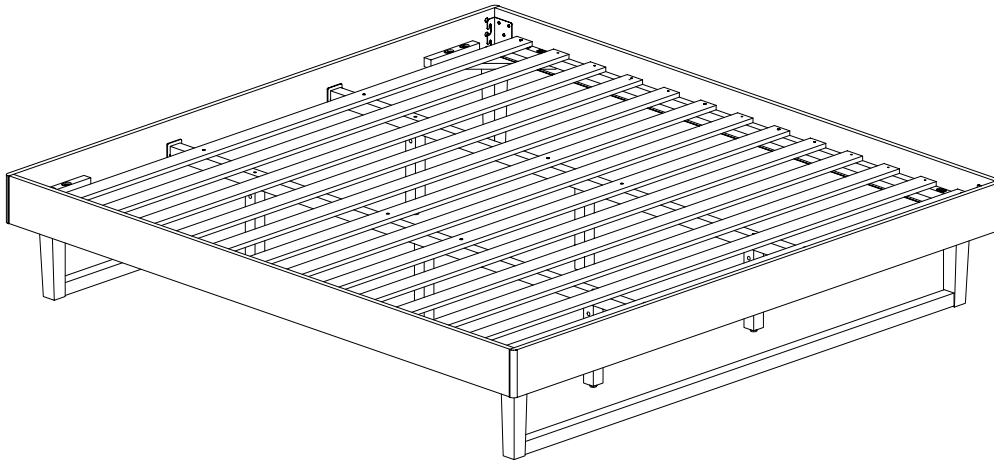
Assembly Instructions

0818

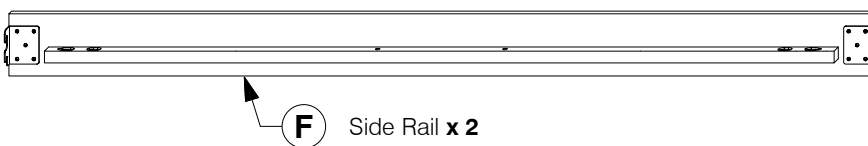
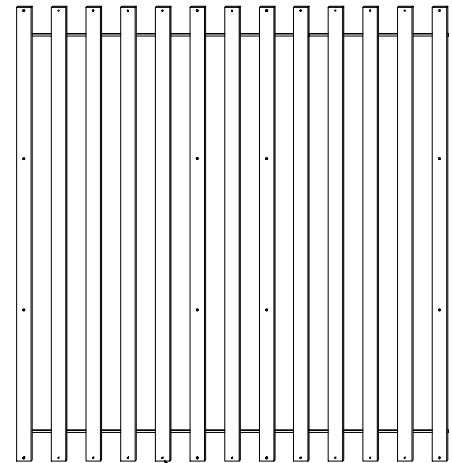
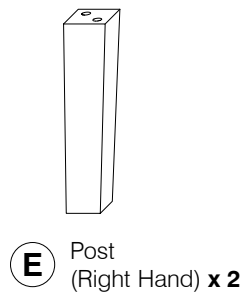
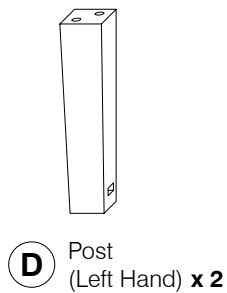
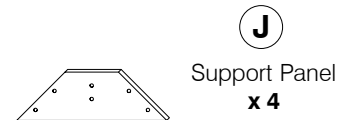
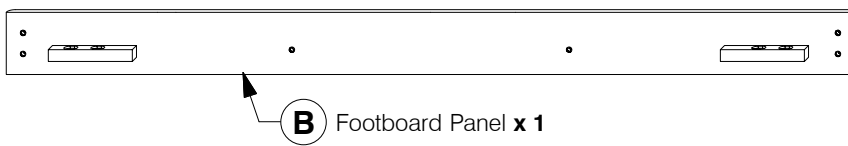
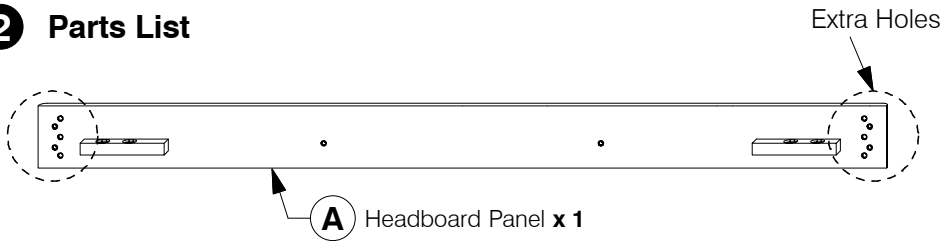
## 1 Assembled View



**Note:** Do not assemble using power tools. This can cause the bolts to be overtightened



## 2 Parts List

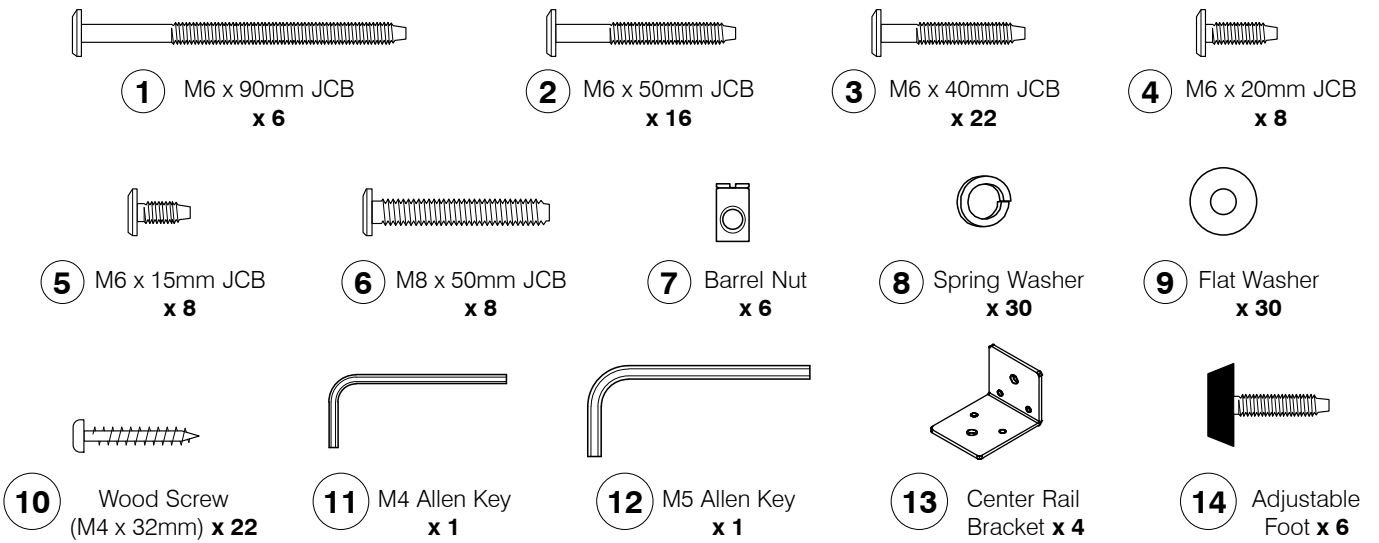


# King Bed

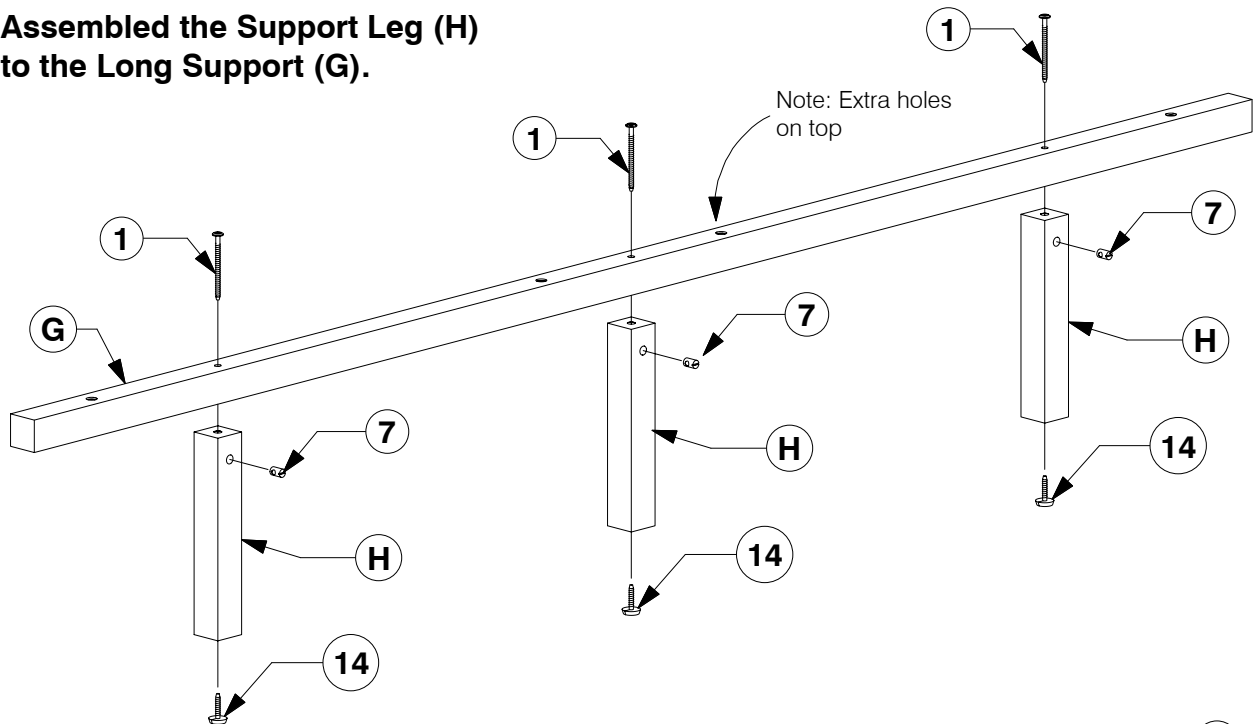
## Assembly Instructions

0818

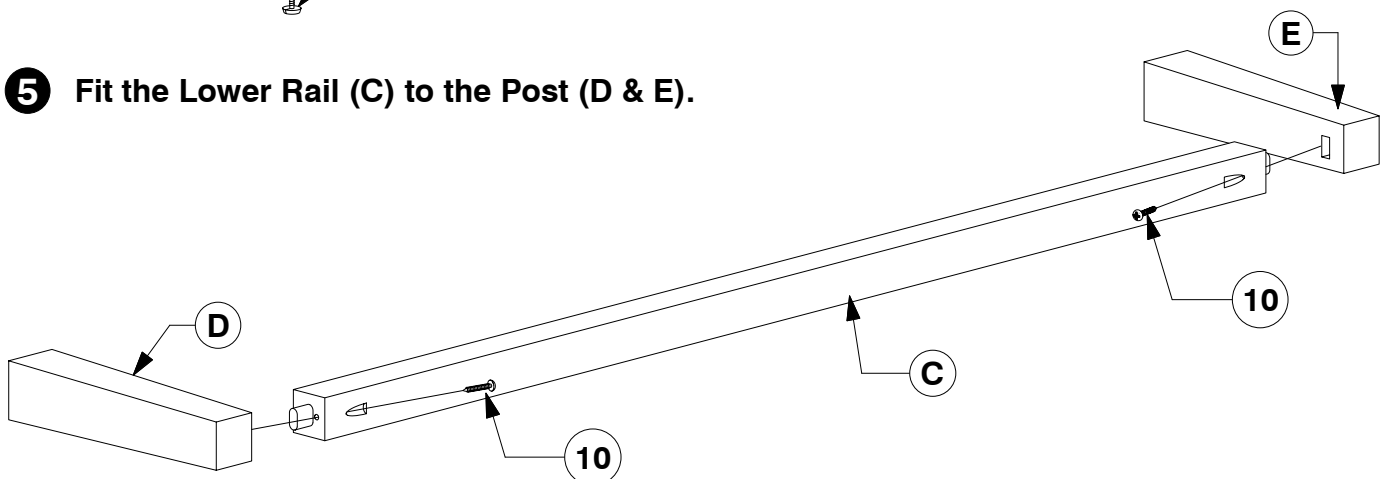
### 8 Hardware List



### 4 Assembled the Support Leg (H) to the Long Support (G).



### 5 Fit the Lower Rail (C) to the Post (D & E).

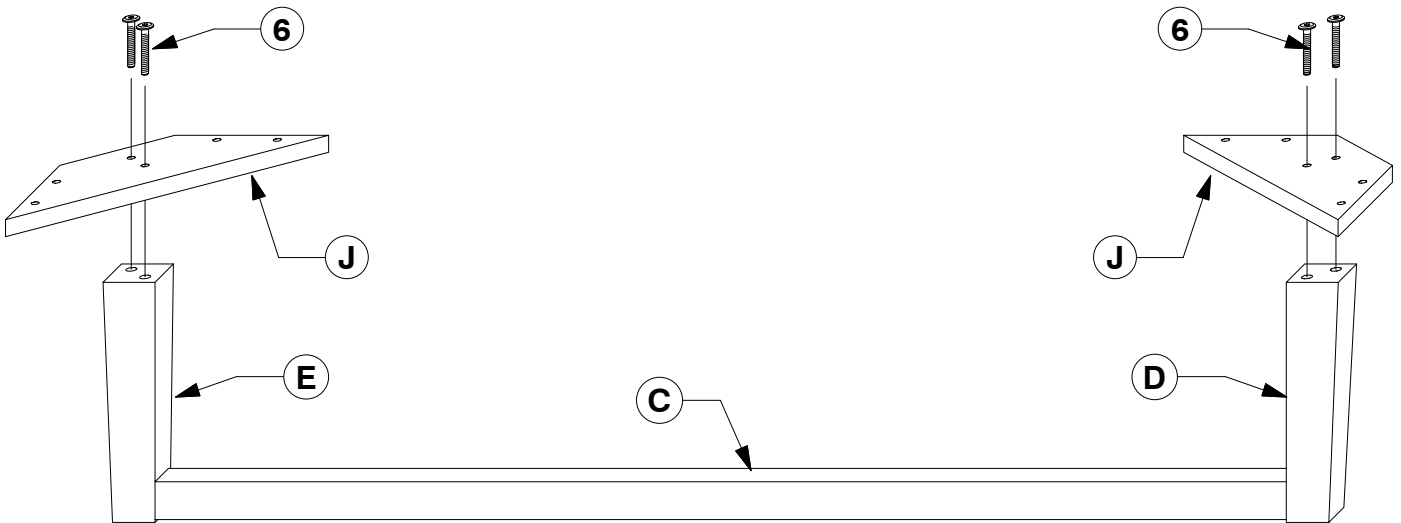


# King Bed

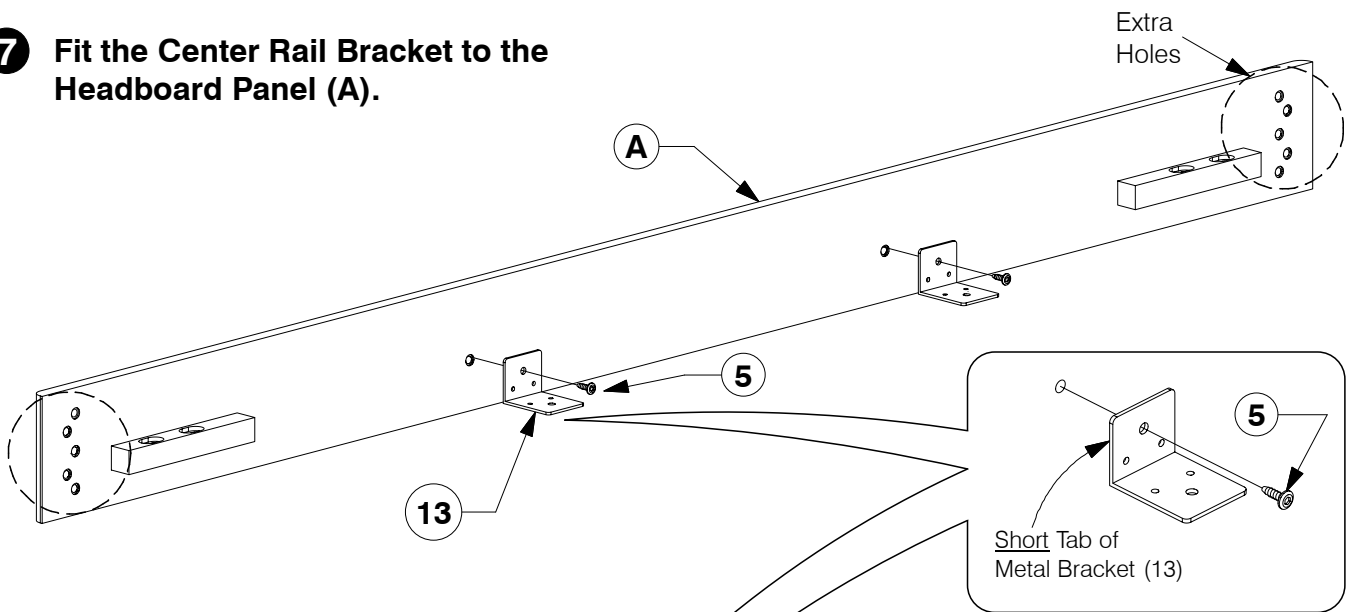
## Assembly Instructions

0818

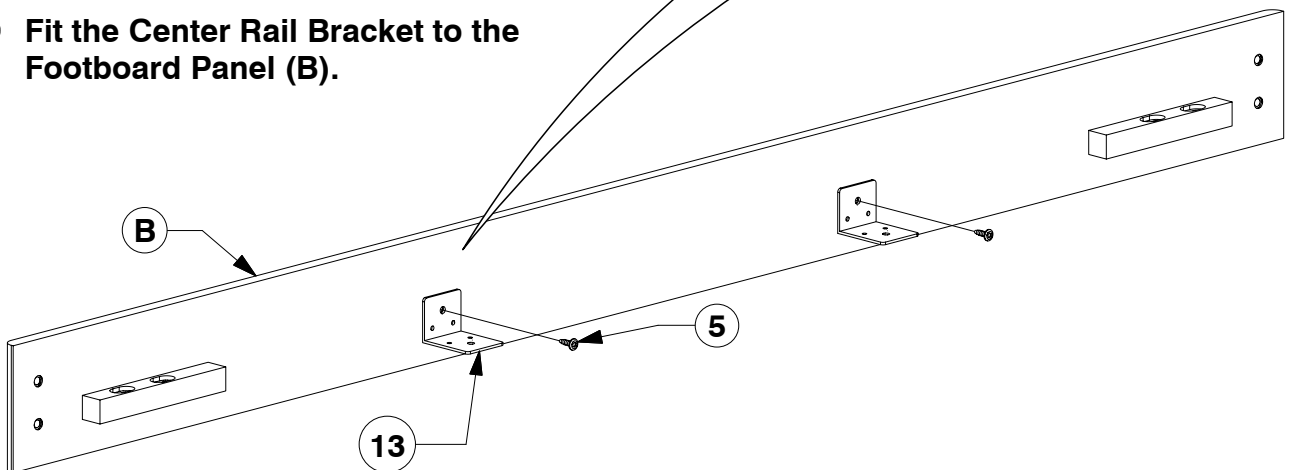
- 6** Assemble the assembled Post (D & E) & Lower Rail (C) to the Support Panel (J).



- 7** Fit the Center Rail Bracket to the Headboard Panel (A).



- 8** Fit the Center Rail Bracket to the Footboard Panel (B).

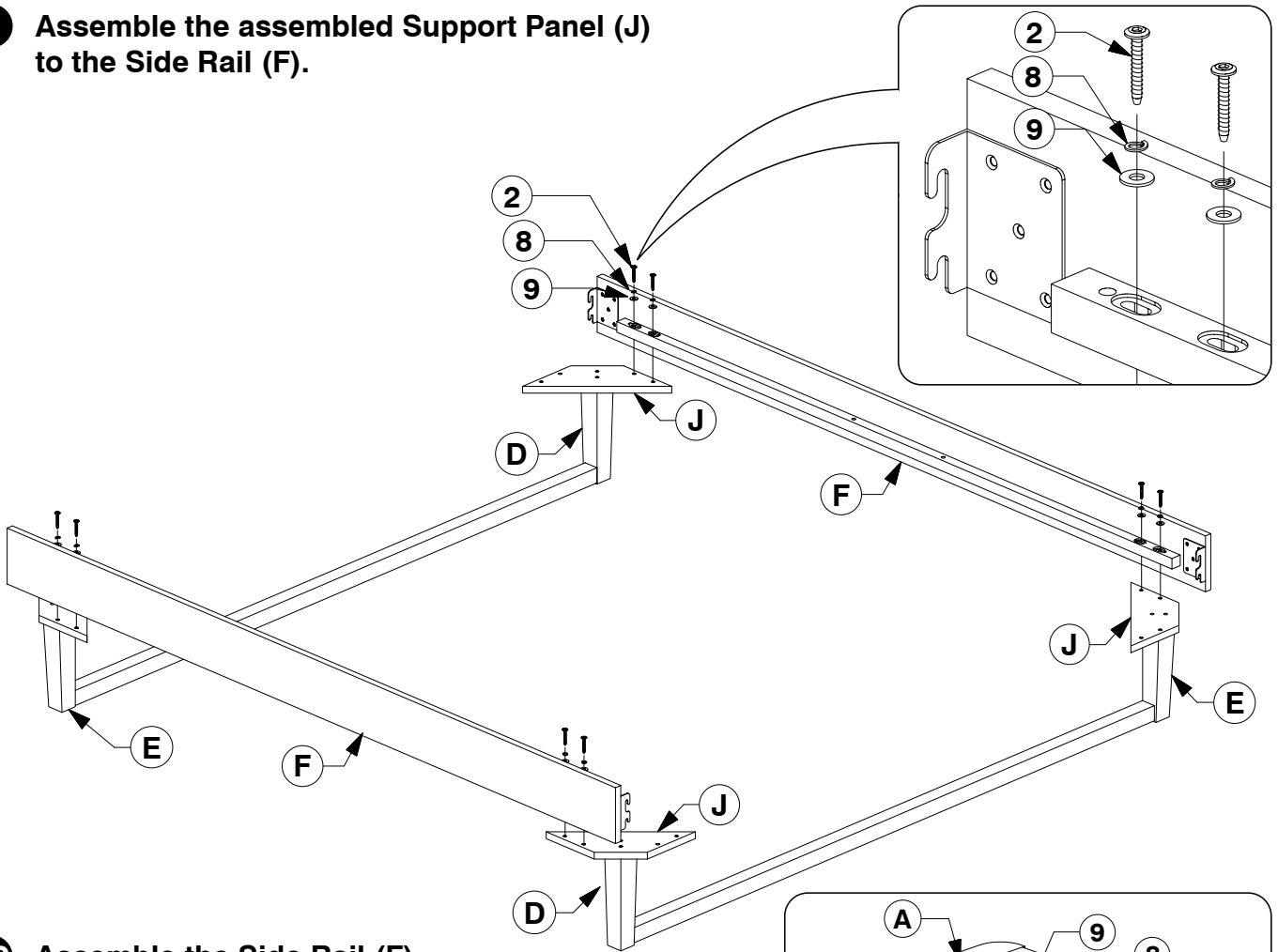


# King Bed

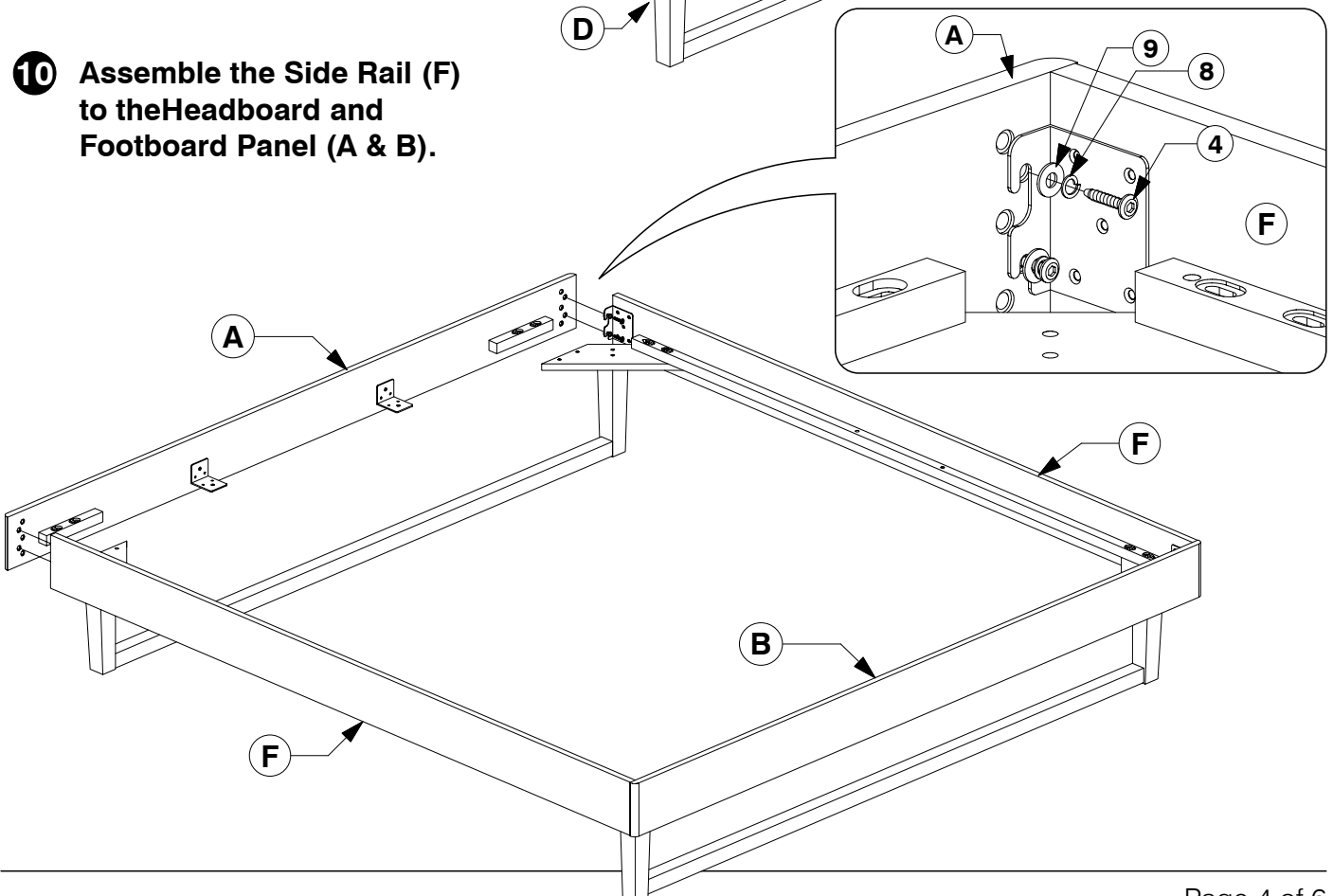
Assembly Instructions

0818

- 9** Assemble the assembled Support Panel (J) to the Side Rail (F).



- 10** Assemble the Side Rail (F) to the Headboard and Footboard Panel (A & B).



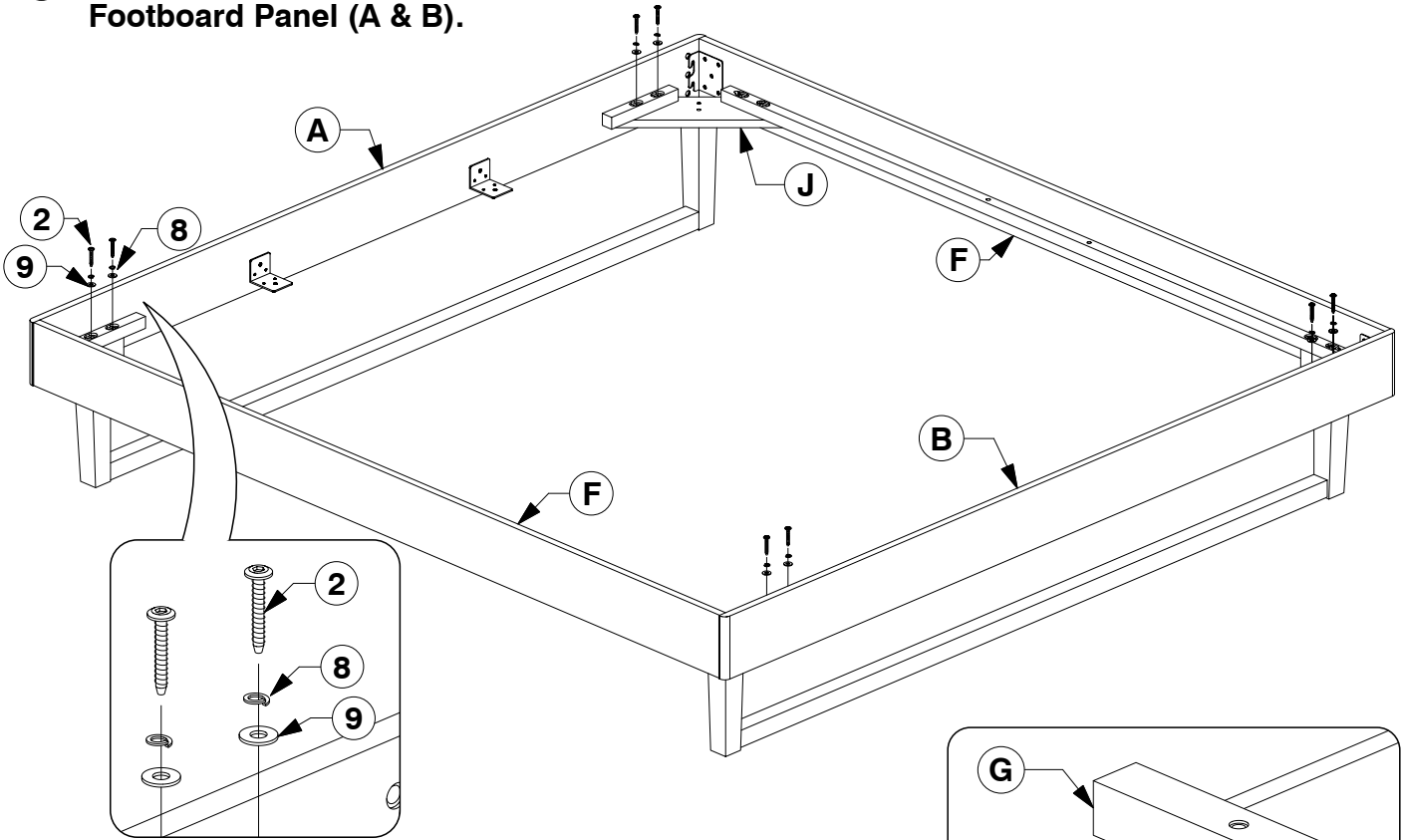


# King Bed

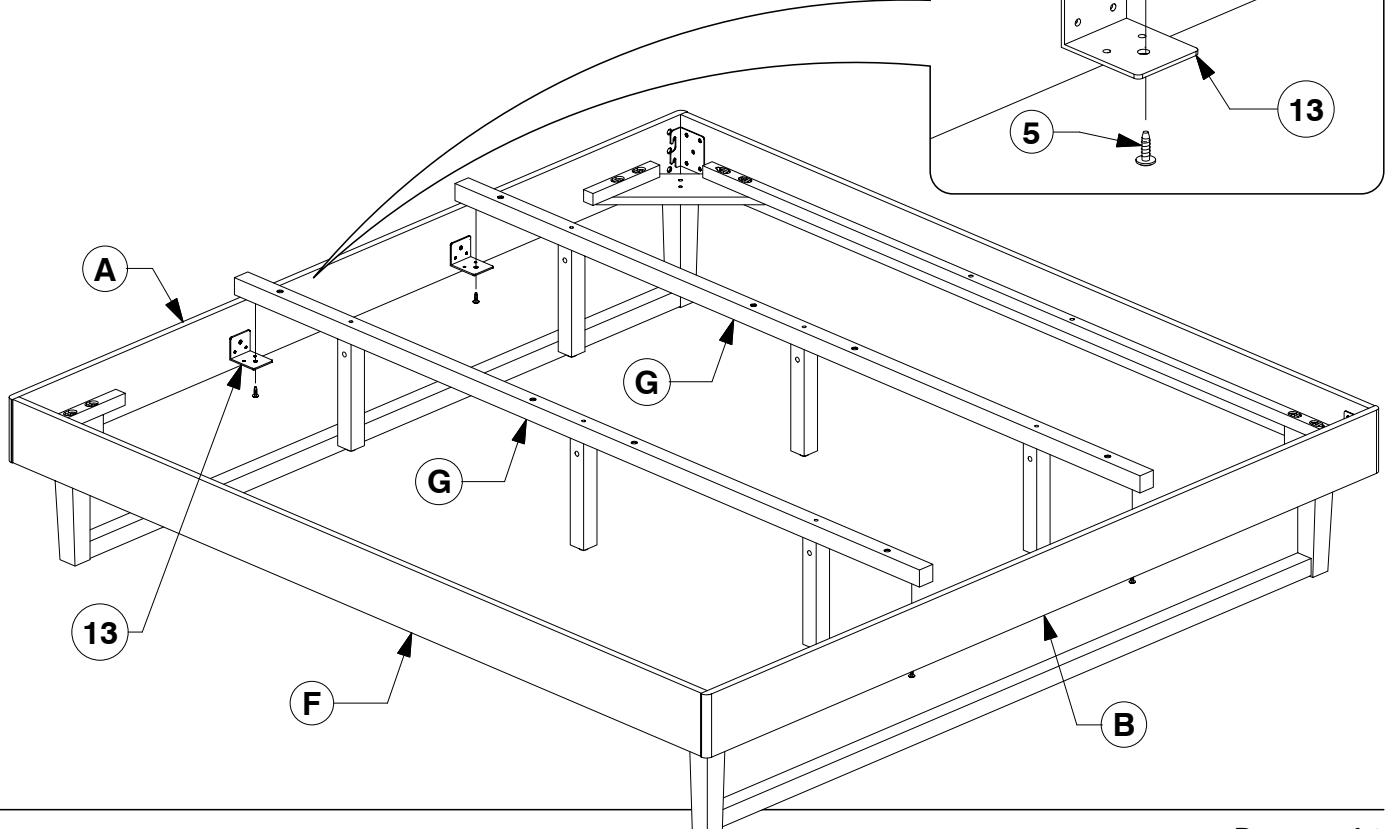
Assembly Instructions

0818

- 11** Bolt the Support Panel (J) to the Headboard and Footboard Panel (A & B).



- 12** Bolt the Long Support (G) to the Center Rail Brackets (13) on the Headboard and Footboard Panel (A & B).

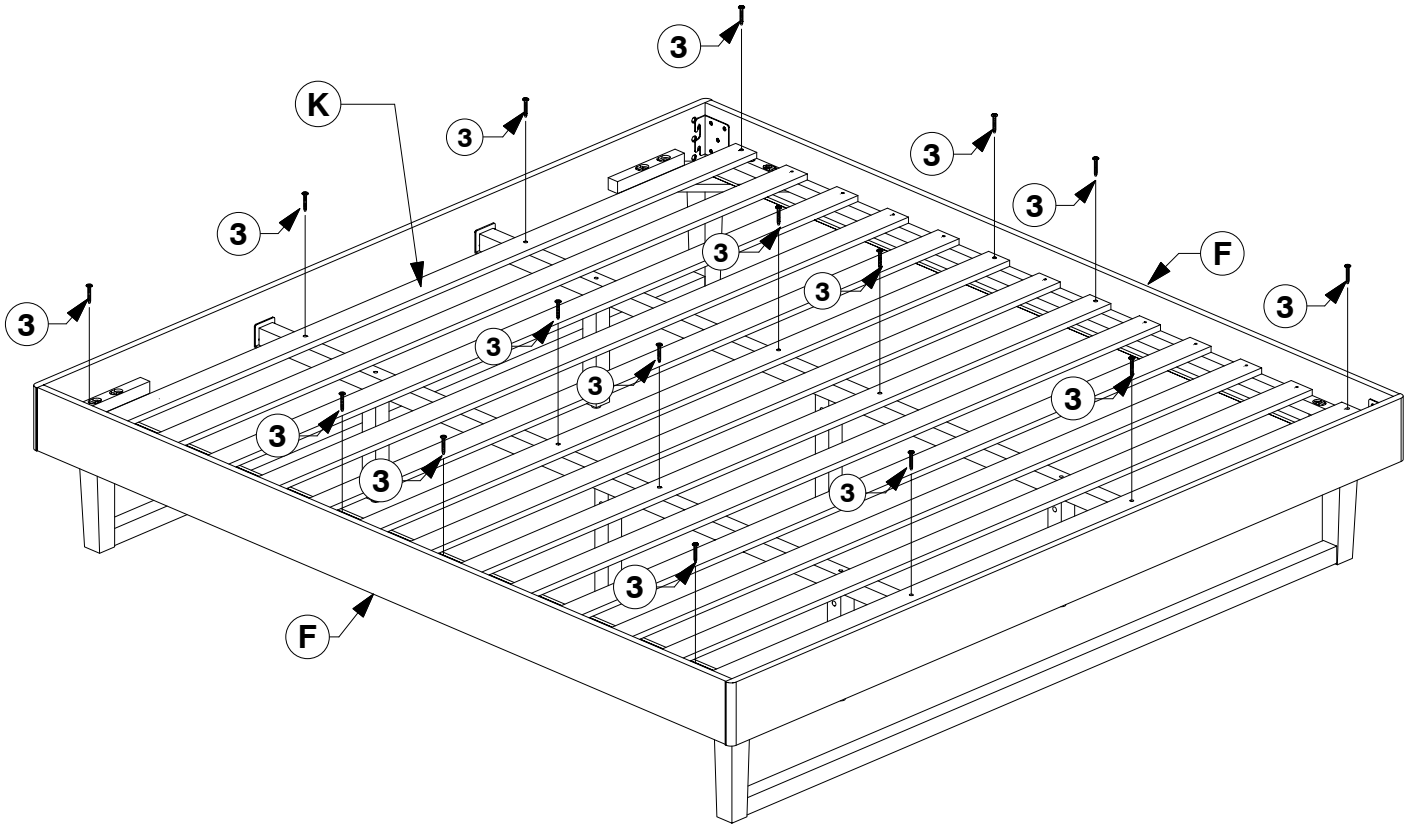


# King Bed

Assembly Instructions

0818

## 13 Bolt the Bed Slats (K) to the Side Rail (F).



## 14 Screw the Bed Slats (K) to the Side Rail (F).

