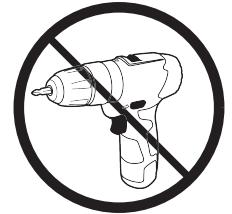
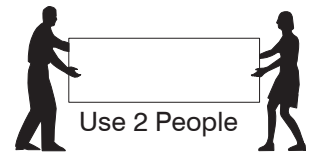
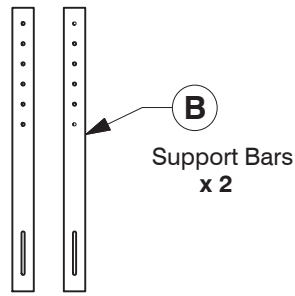
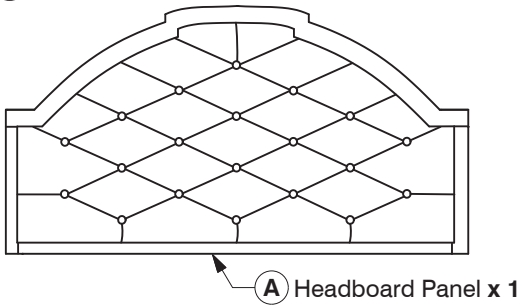


9776 Full / Queen Headboard

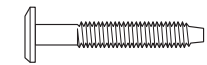
Assembly Instructions

WI-0622

1 Parts List



2 Hardware List



1 M6 x 35mm JCB
x 10



2 Spring Washer
x 10



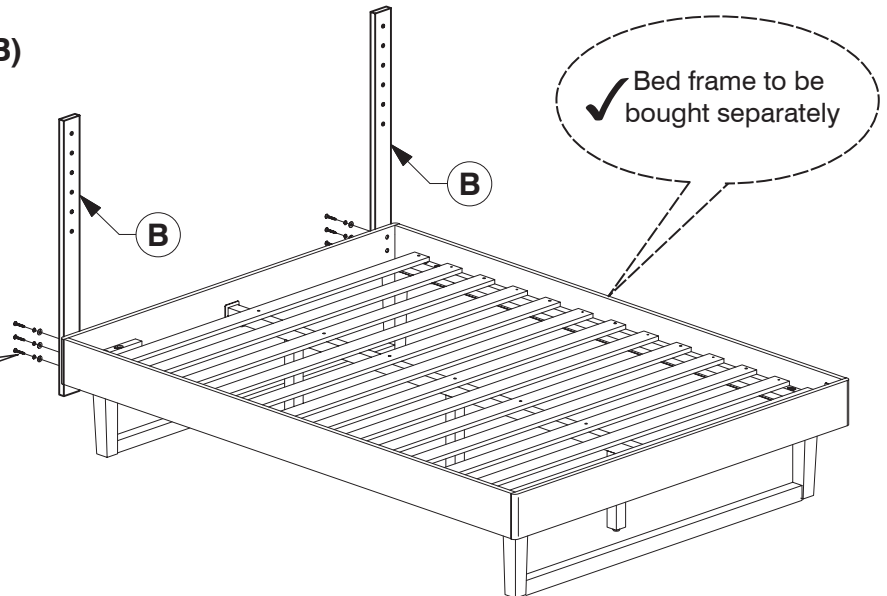
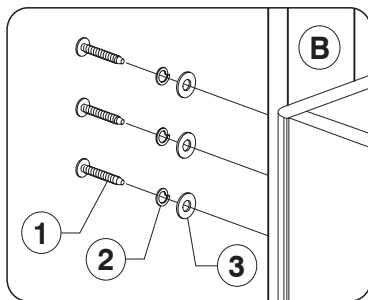
3 Flat Washer
x 10



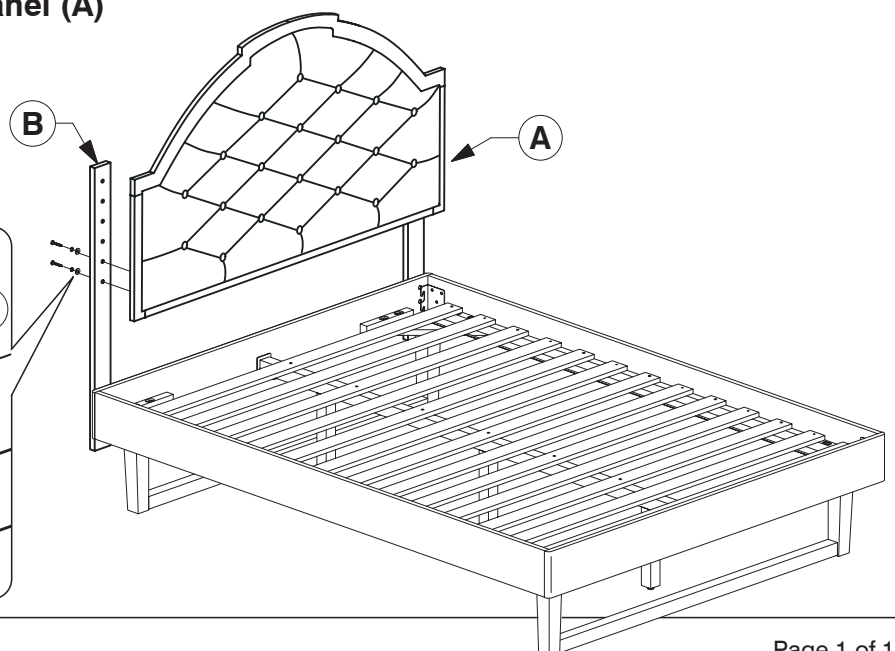
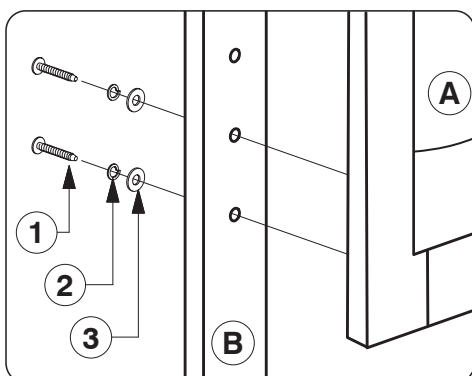
4 Allen Key
x 1

Note: Do not assemble using power tools. This can cause the bolts to be overtightened

3 Assemble the Support Bars (B) to the Headboard Panel (A).



4 Assemble the Headboard Panel (A) to the Support Bars (B).

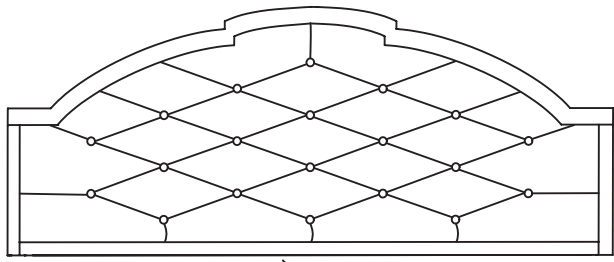


9776 King Headboard

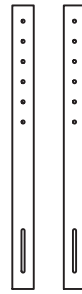
Assembly Instructions

WI-0622

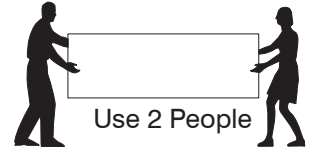
1 Parts List



A Headboard Panel x 1



B
Support Bars
x 2



Note: Do not assemble using power tools. This can cause the bolts to be overtightened

2 Hardware List



1 M6 X 35mm JCB
x 10



2 Spring Washer
x 10

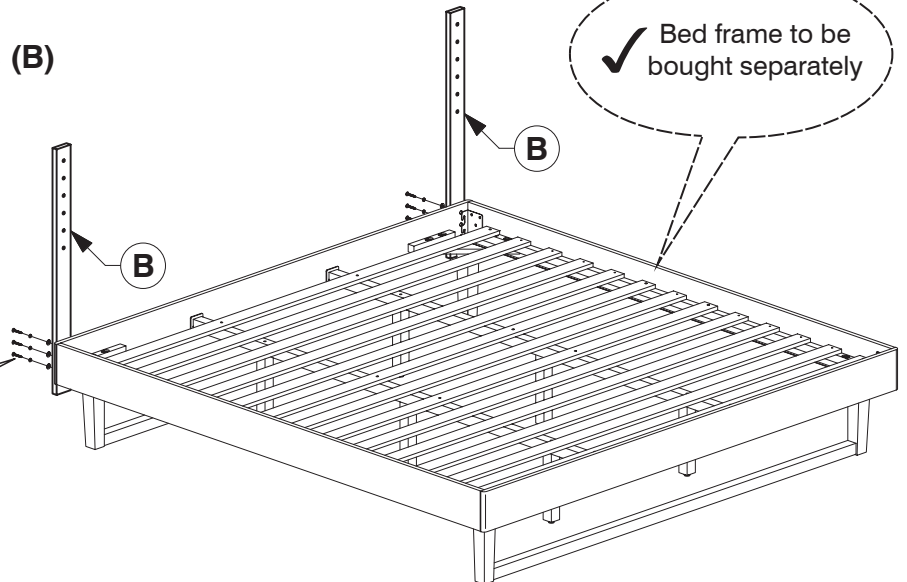
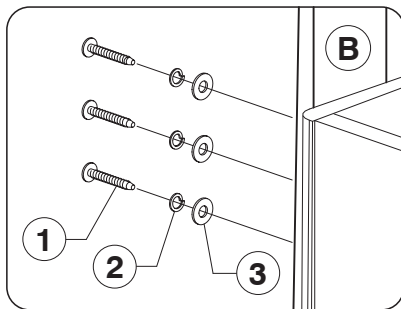


3 Flat Washer
x 10

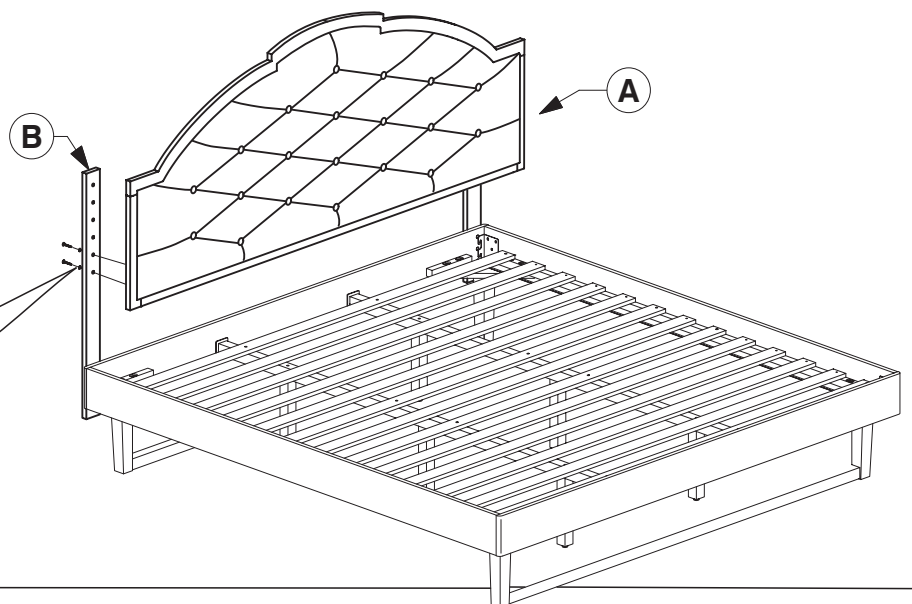
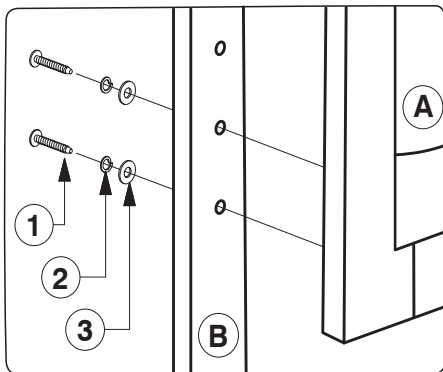


4 Allen Key
x 1

3 Assemble the Support Bars (B) to the Headboard Panel.



4 Assemble the Headboard Panel (A) to the Support Bars (B).

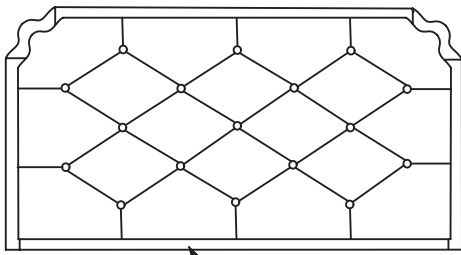


9772 Full / Queen Headboard

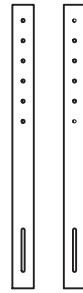
Assembly Instructions

WI-0622

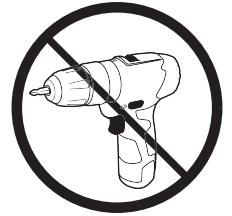
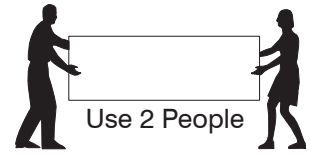
1 Parts List



A Headboard Panel x 1



B
Support Bars
x 2



2 Hardware List



1 M6 x 35mm JCB
x 10



2 Spring Washer
x 10



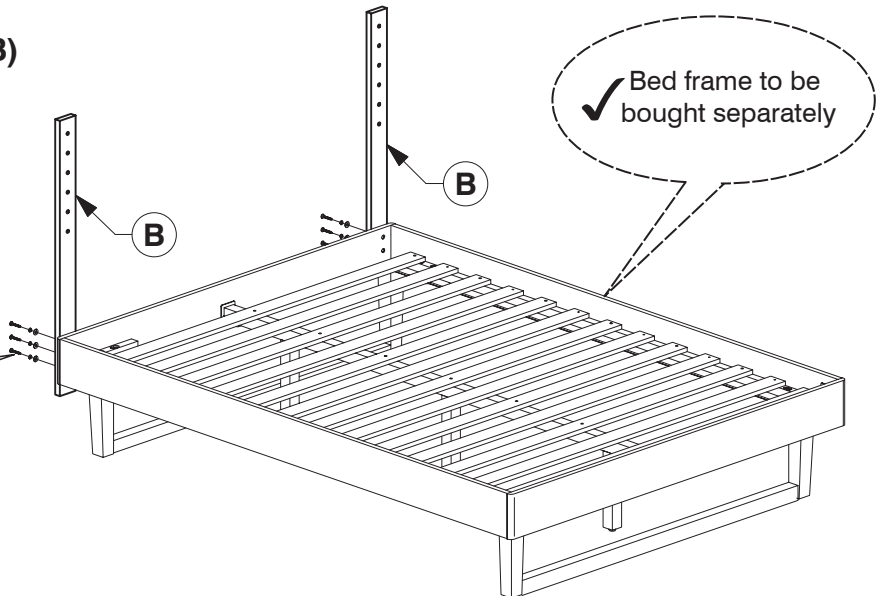
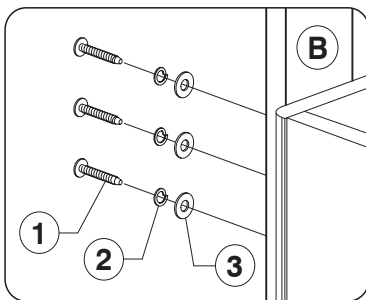
3 Flat Washer
x 10



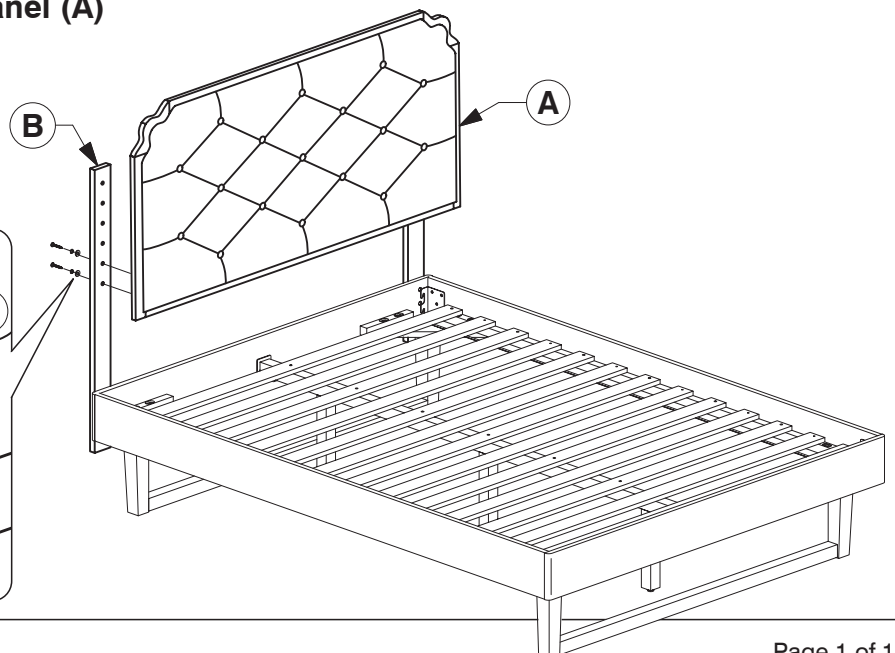
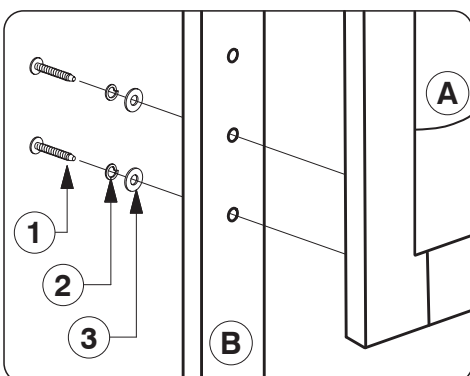
4 Allen Key
x 1

Note: Do not assemble using power tools. This can cause the bolts to be overtightened.

3 Assemble the Support Bars (B) to the Headboard Panel (A).



4 Assemble the Headboard Panel (A) to the Support Bars (B).

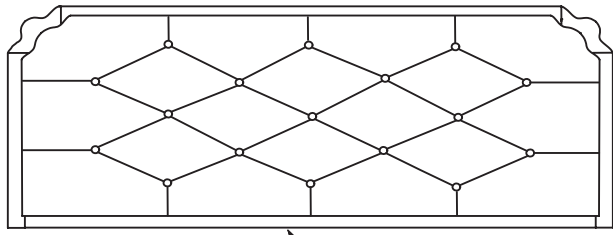


9772 King Headboard

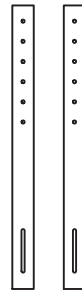
Assembly Instructions

WI-0622

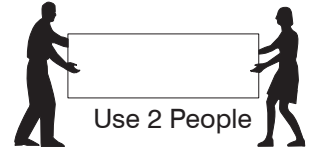
1 Parts List



A Headboard Panel x 1



B
Support Bars
x 2



Note: Do not assemble using power tools. This can cause the bolts to be overtightened.

2 Hardware List



1 M6 X 35mm JCB
x 10



2 Spring Washer
x 10

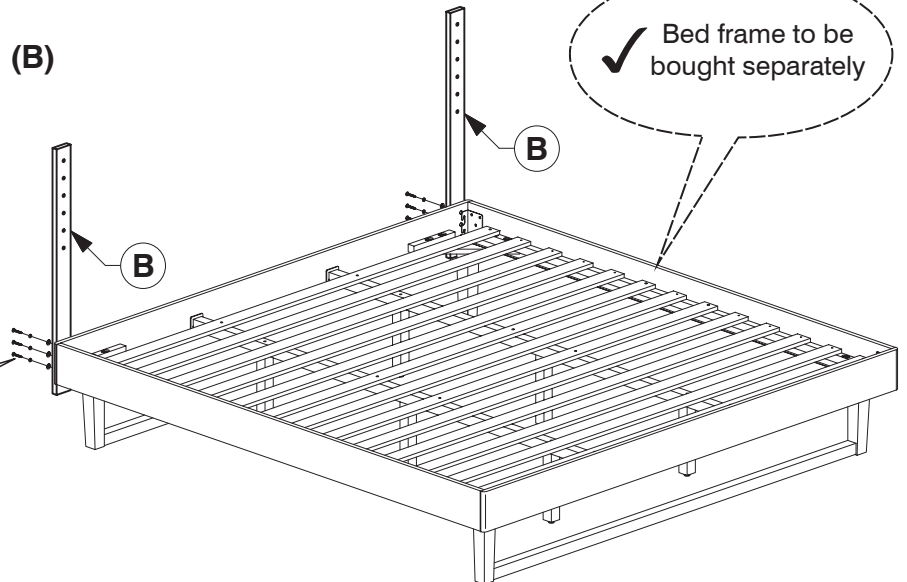
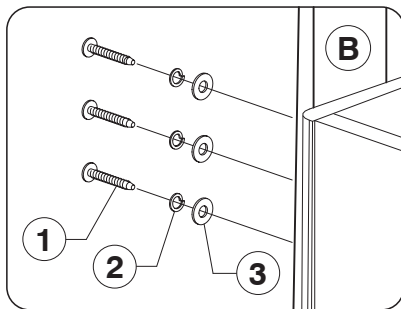


3 Flat Washer
x 10

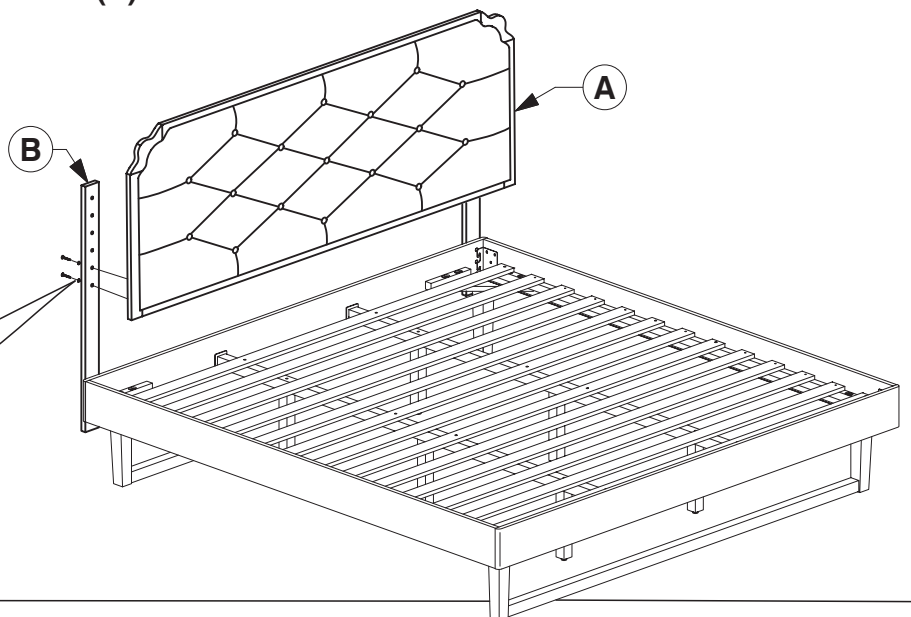
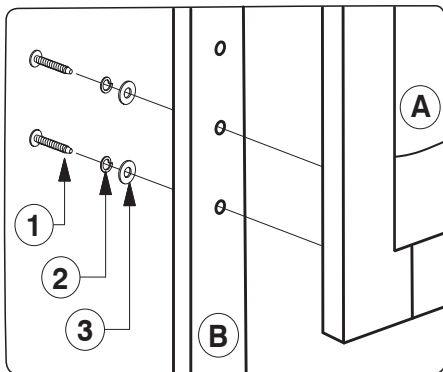


4 Allen Key
x 1

3 Assemble the Support Bars (B) to the Headboard Panel.



4 Assemble the Headboard Panel (A) to the Support Bars (B).

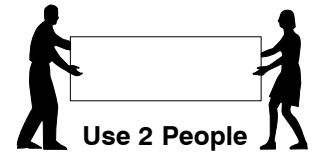
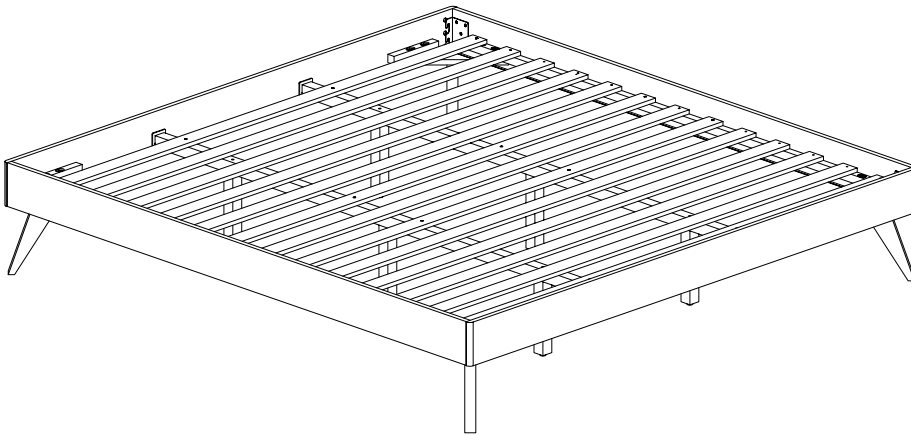


King Bed

Assembly Instructions

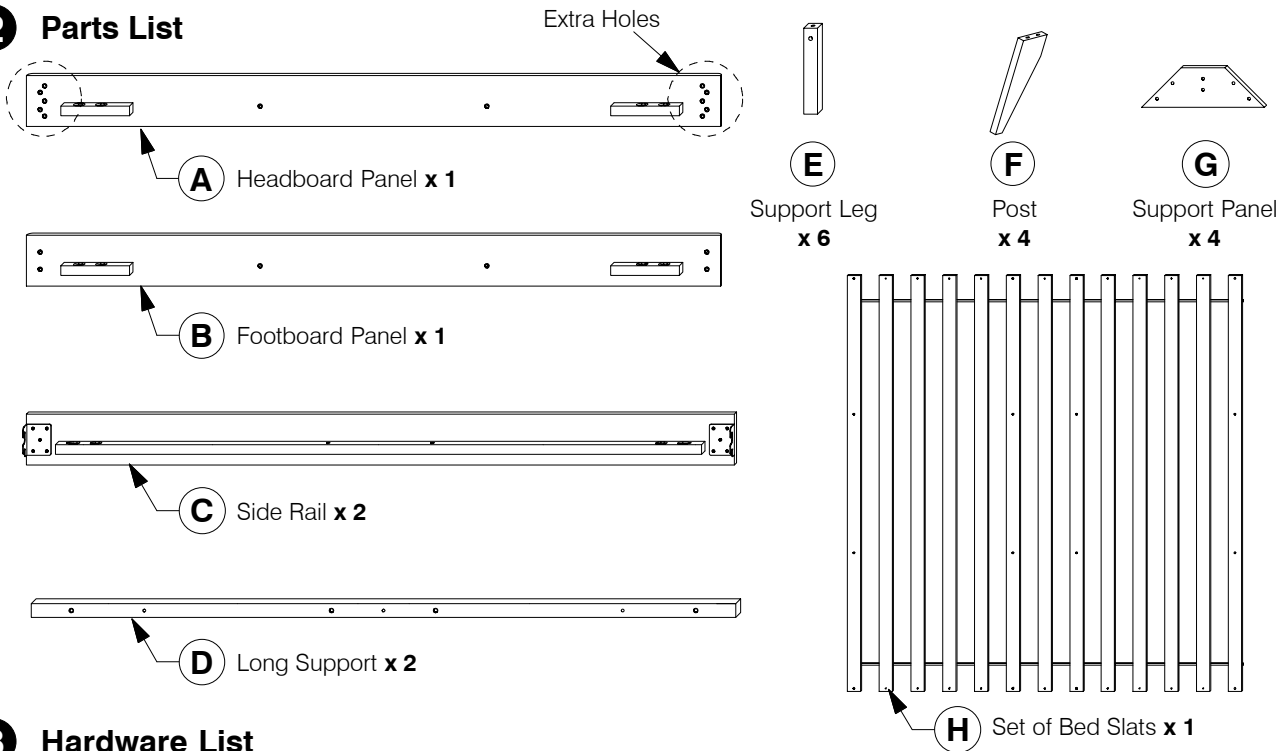
0818

1 Assembled View

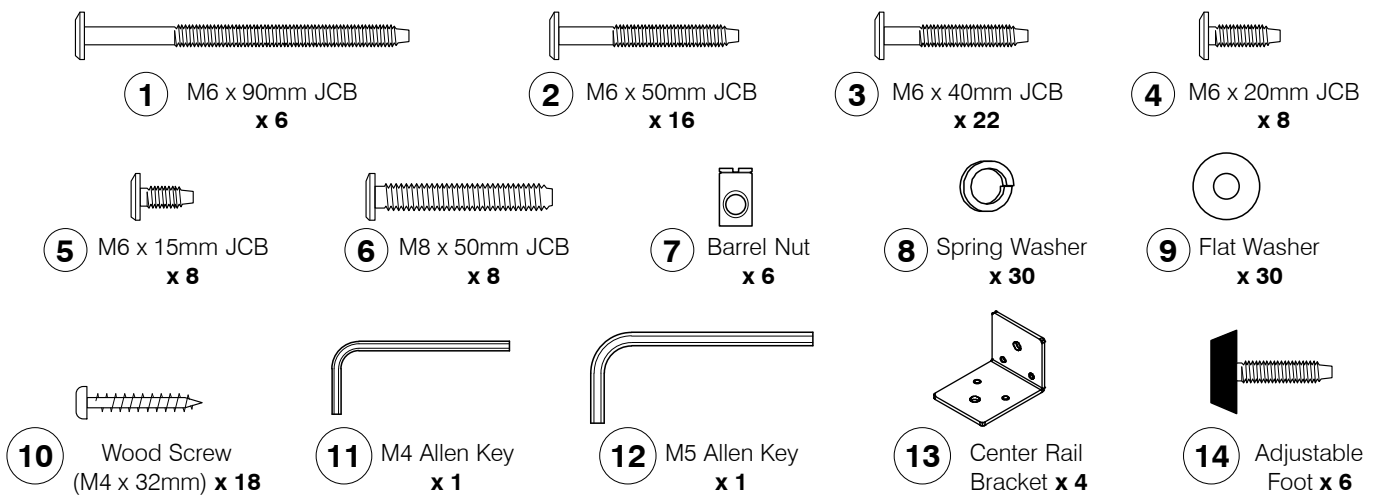


Note: Do not assemble using power tools. This can cause the bolts to be overtightened

2 Parts List



3 Hardware List

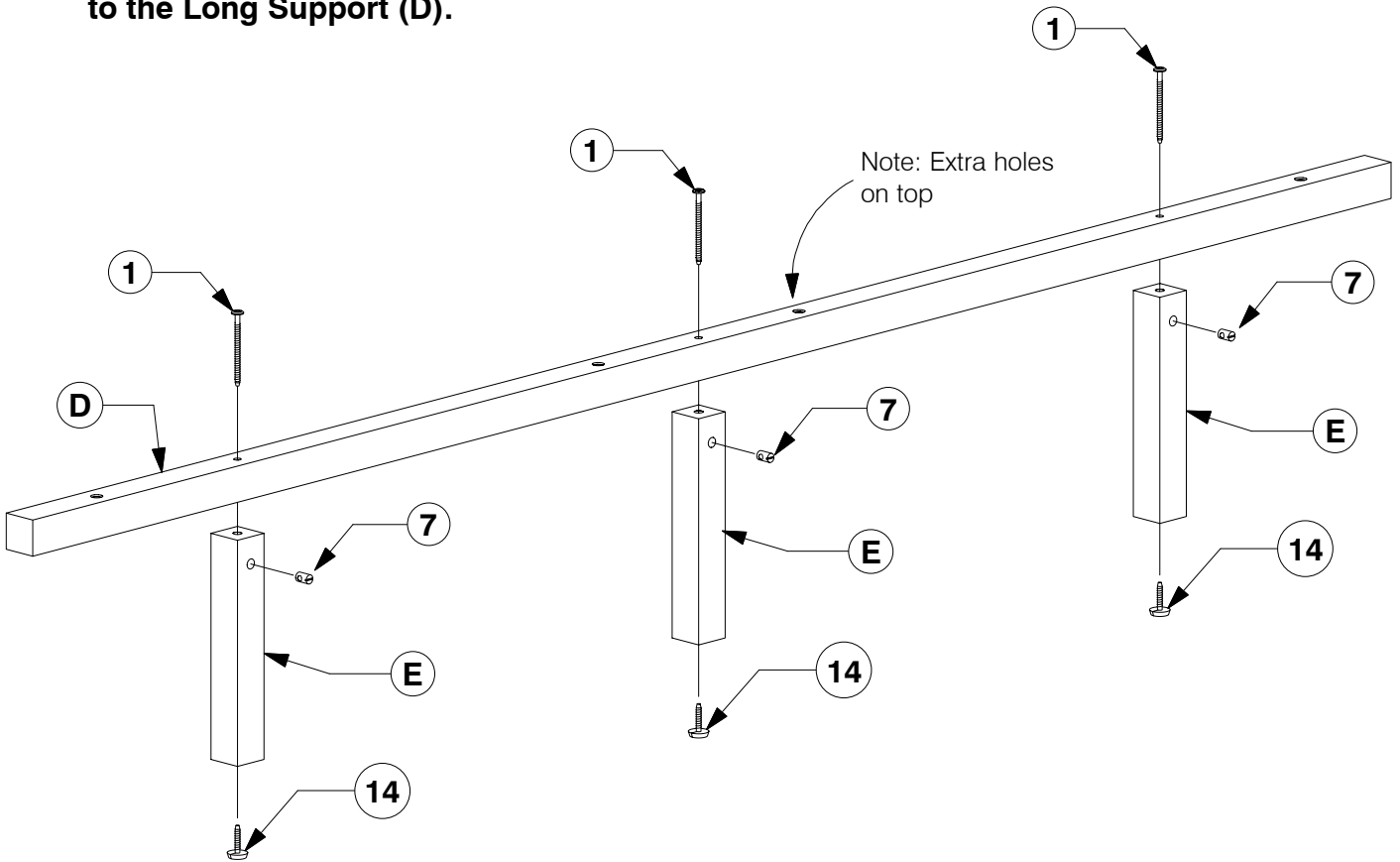


King Bed

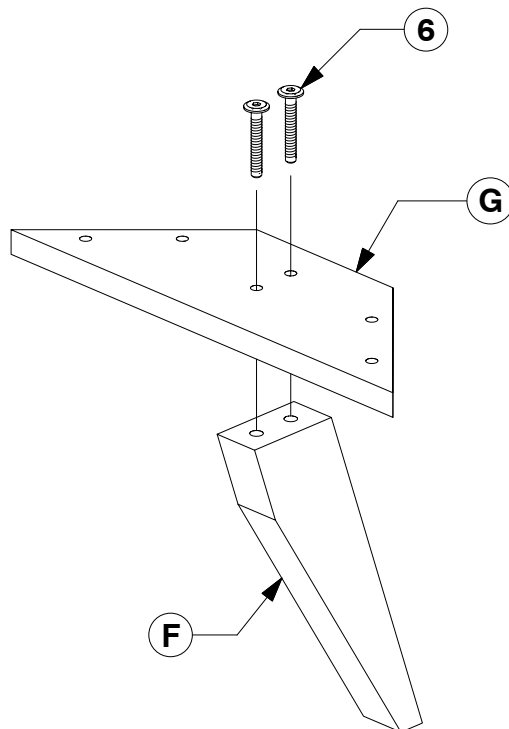
Assembly Instructions

0818

4 Assembled the Support Leg (E) to the Long Support (D).



5 Fit the Post (F) to the Support Panel (G).

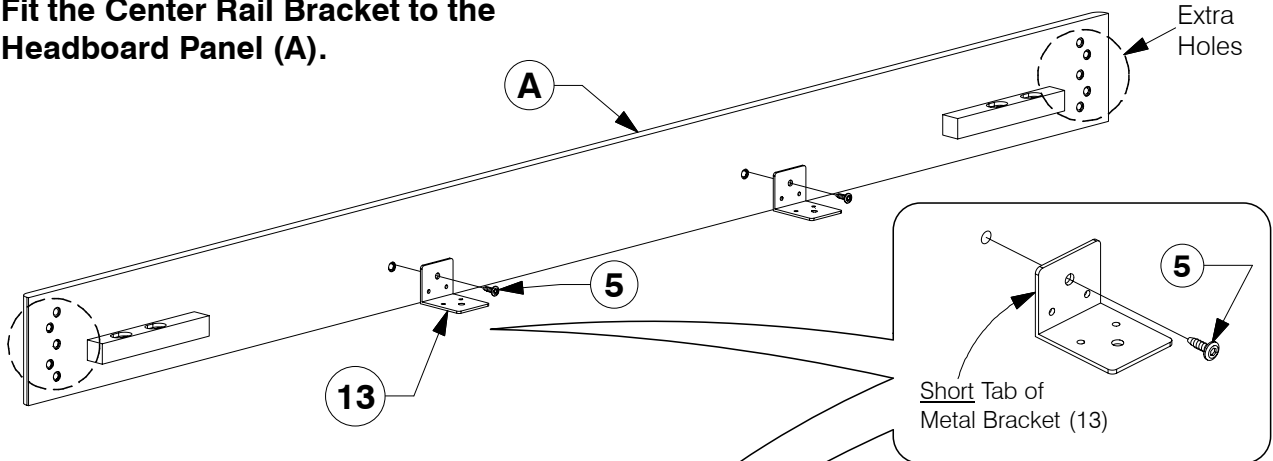


King Bed

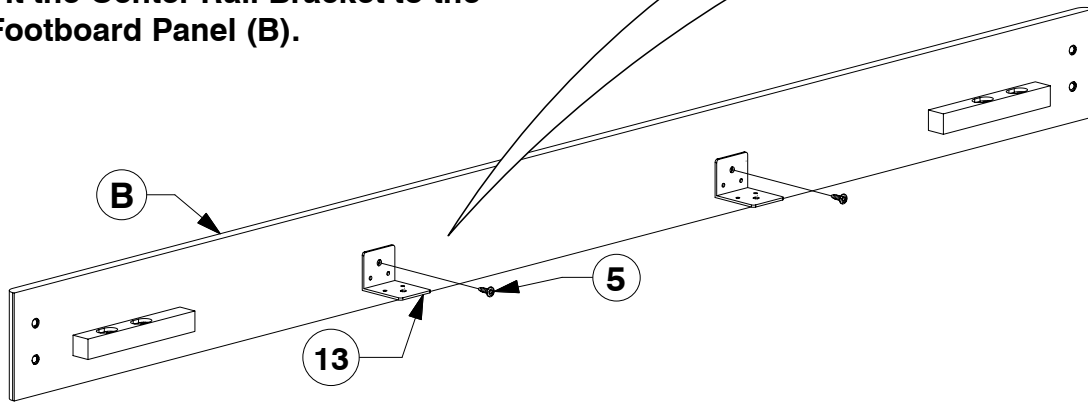
Assembly Instructions

0818

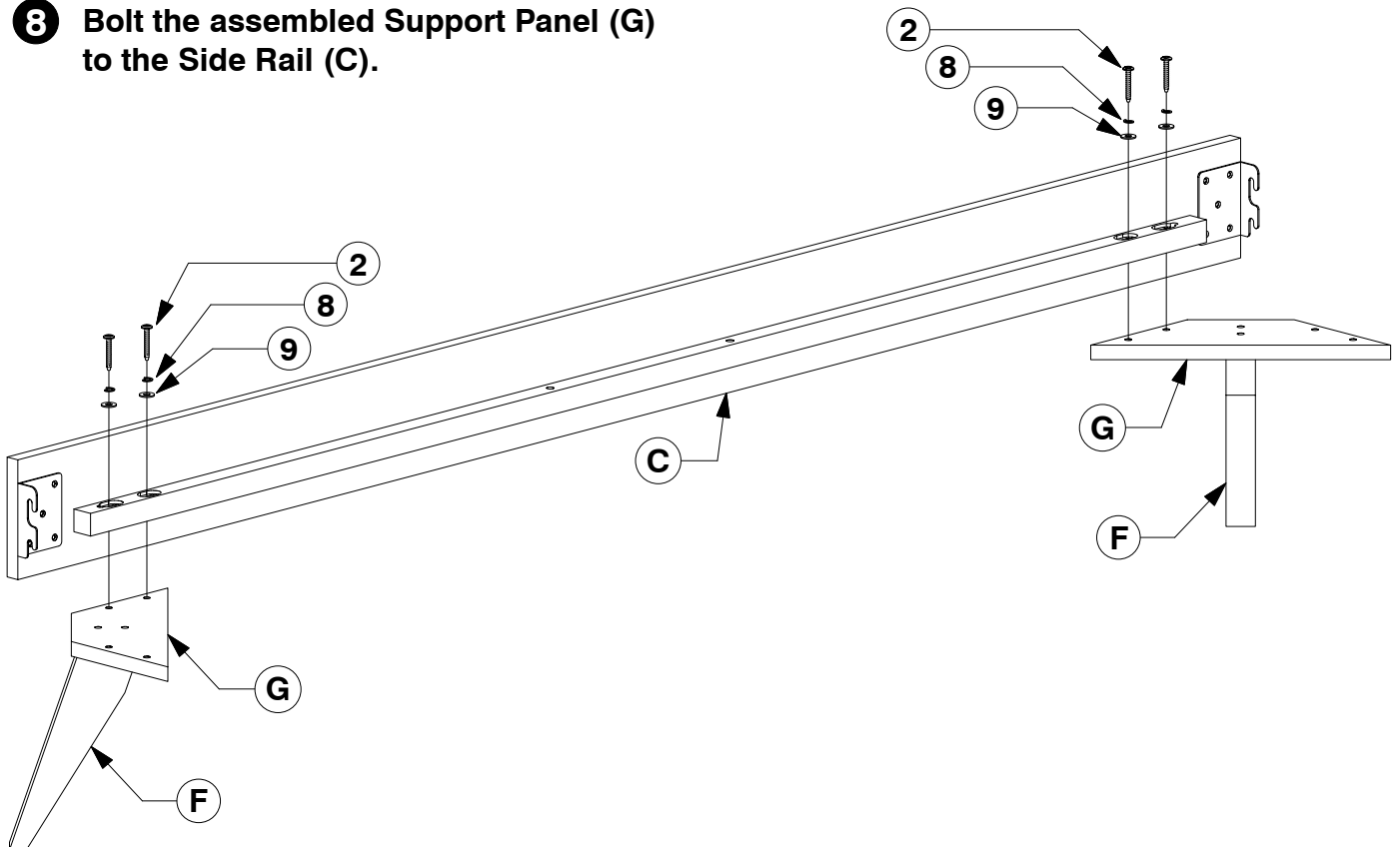
- 6** Fit the Center Rail Bracket to the Headboard Panel (A).



- 7** Fit the Center Rail Bracket to the Footboard Panel (B).



- 8** Bolt the assembled Support Panel (G) to the Side Rail (C).

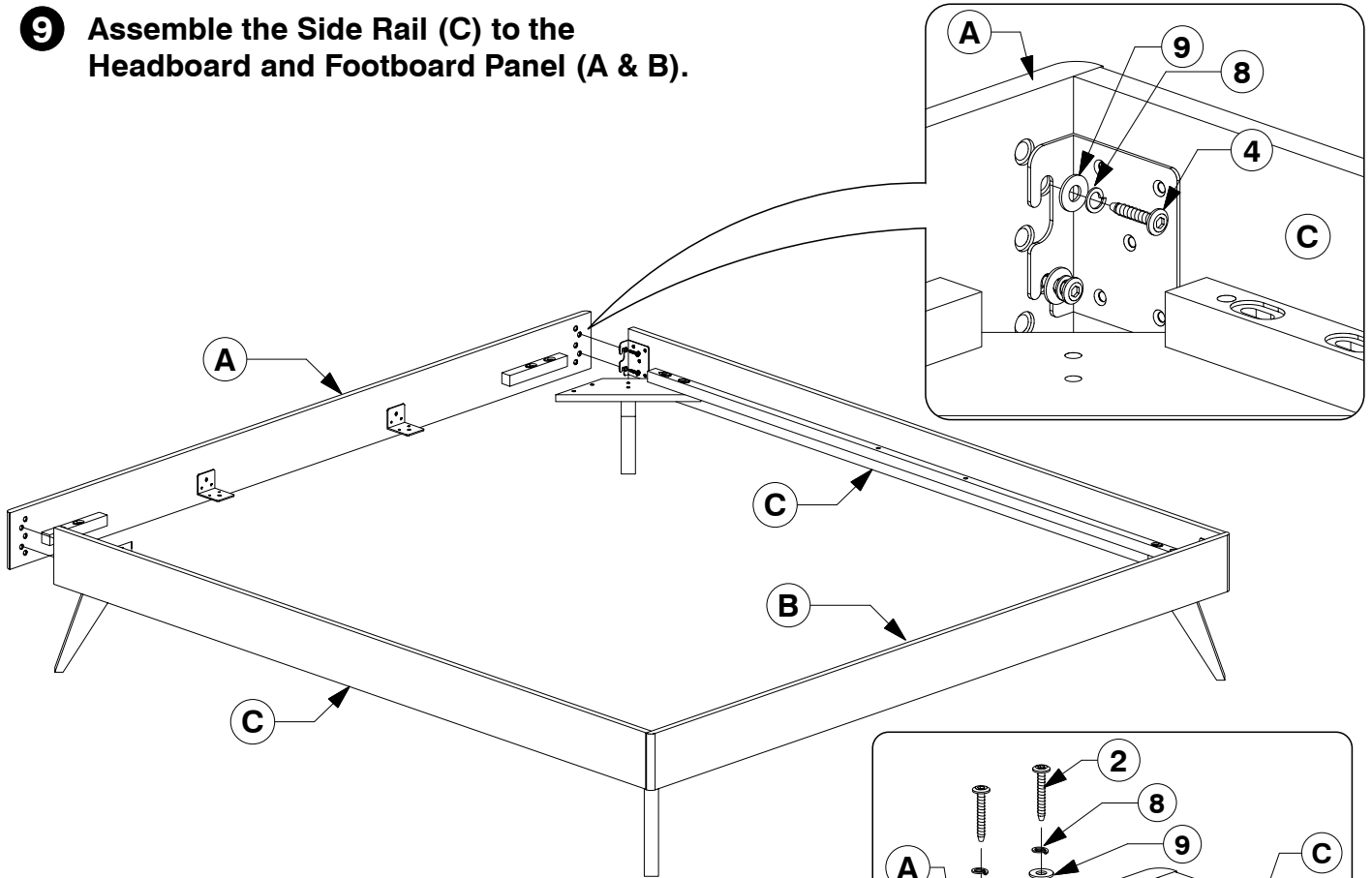


King Bed

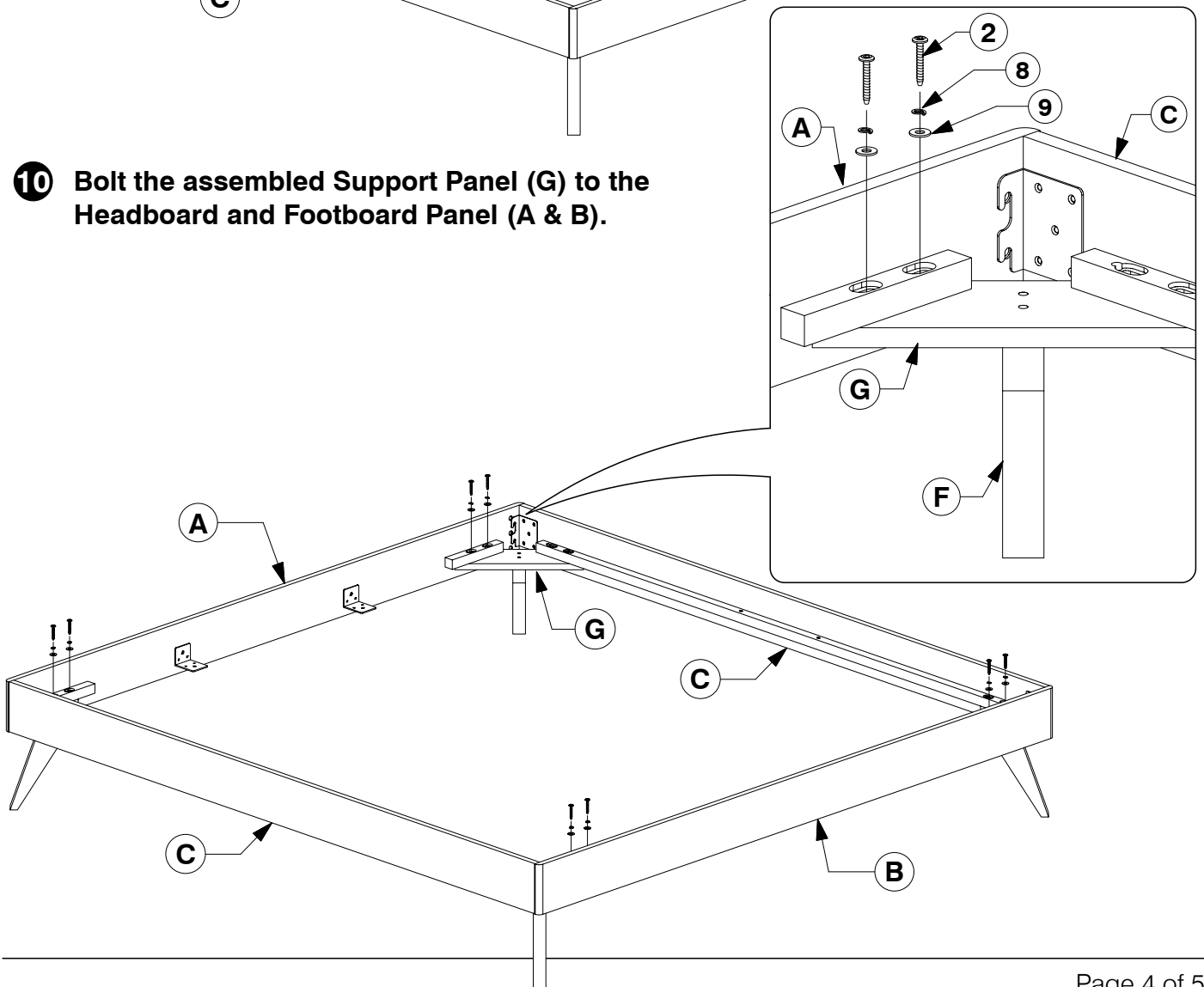
Assembly Instructions

0818

- 9 Assemble the Side Rail (C) to the Headboard and Footboard Panel (A & B).**



- 10 Bolt the assembled Support Panel (G) to the Headboard and Footboard Panel (A & B).**

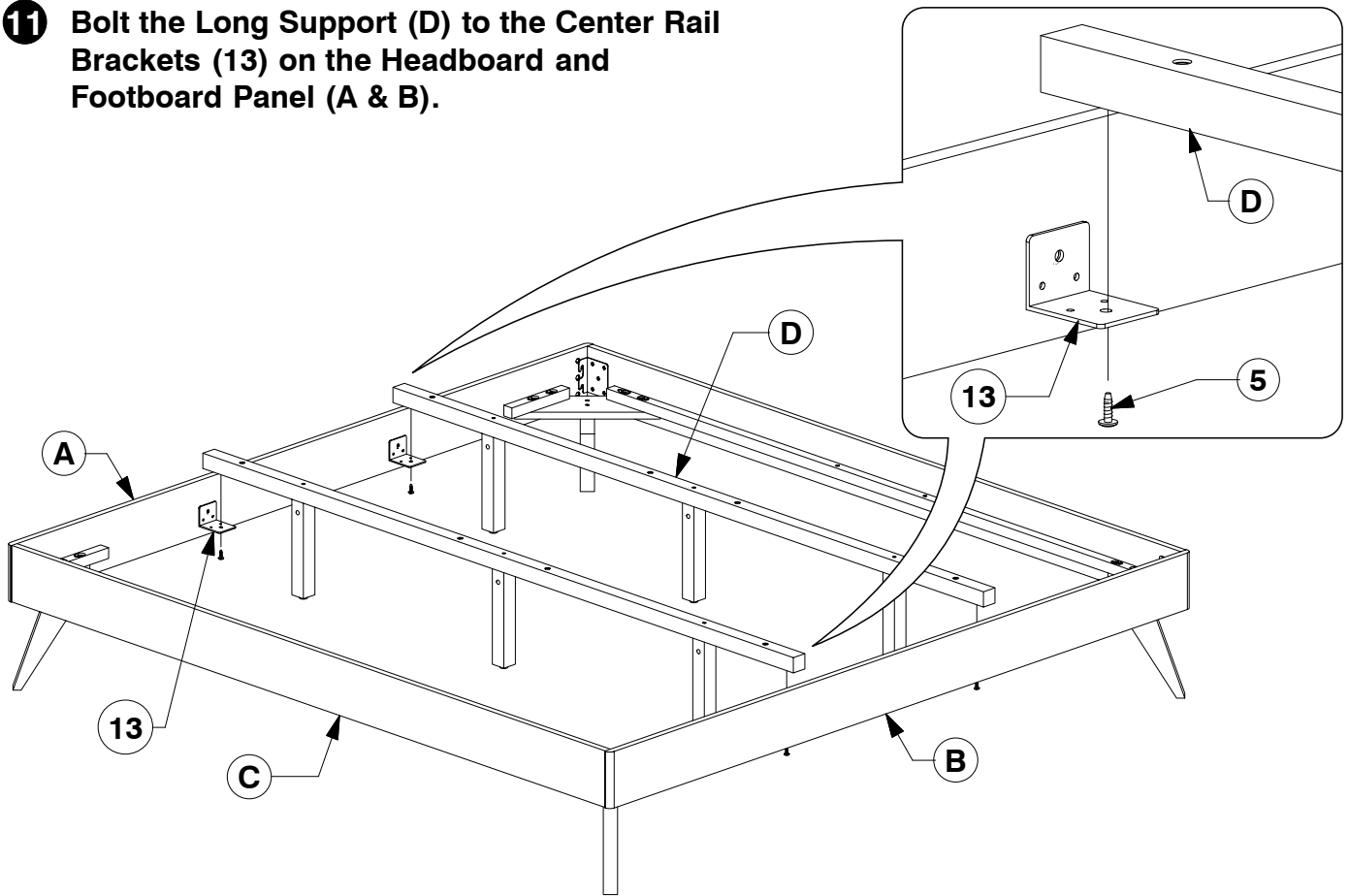


King Bed

Assembly Instructions

0818

- 11** Bolt the Long Support (D) to the Center Rail Brackets (13) on the Headboard and Footboard Panel (A & B).



- 12** Bolt & screw the Bed Slats (H) to the Side Rail (C).

