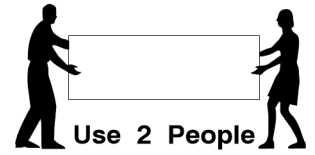
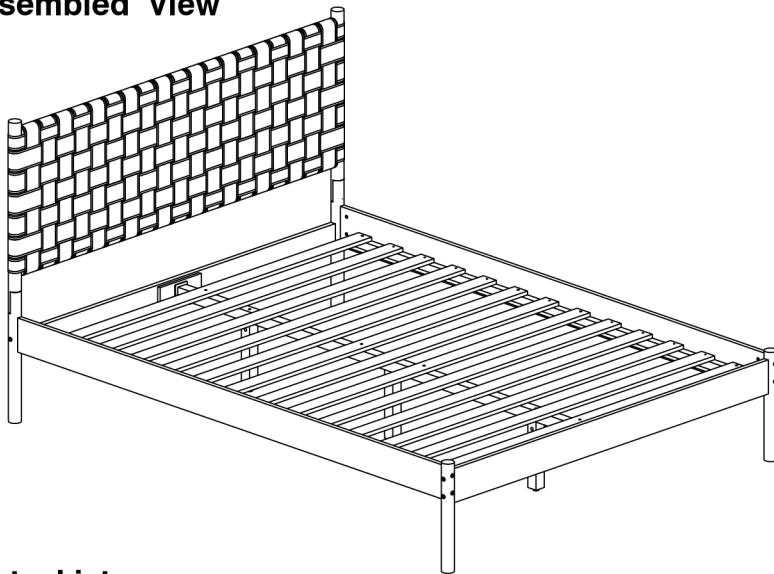


# 0220-1 Queen Bed

Assembly Instructions

WI-0523

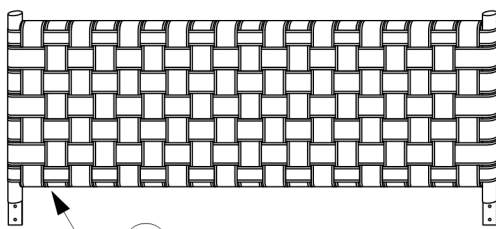
## 1 Assembled View



**Note:** Do not assemble using power tools. This can cause the bolts to be overtightened

## 2 Parts List

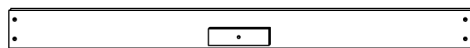
### Parts in Box A:



**A** Headboard Panel x 1



**B** Headboard Support x 1



**C** Footboard Panel x 1

**D** Headboard Post (Left hand) x 1



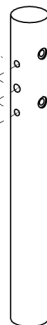
**E** Headboard Post (Right hand) x 1



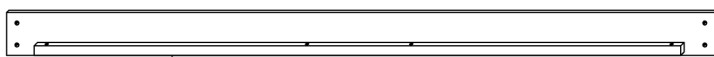
**F** Footboard Post (Left hand) x 1



**G** Footboard Post (Right hand) x 1



### Parts in Box B:

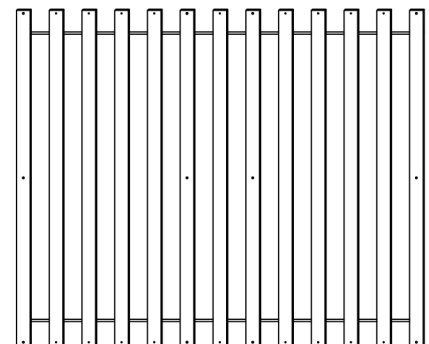


**H** Side Rail x 2



**J** Long Support x 1

**K** Support Leg x 3



**L** Set of Bed Slats x 1

# 0220-1 Queen Bed

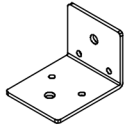
## Assembly Instructions

WI-0523

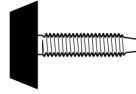
### 3 Hardware List



1 M4 Allen Key  
x 1



2 Center Rail  
Bracket x 2



3 Adjustable  
Foot x 3



4 Barrel Nut  
x 17



5 Spring  
Washer  
x 4



6 Flat  
Washer  
x 4



7 Wood Dowel  
(10 x 40mm)  
x 8



8 Wood Screw  
(M4 x 32mm)  
x 18



9 M6 x  
15mm JCB  
x 4

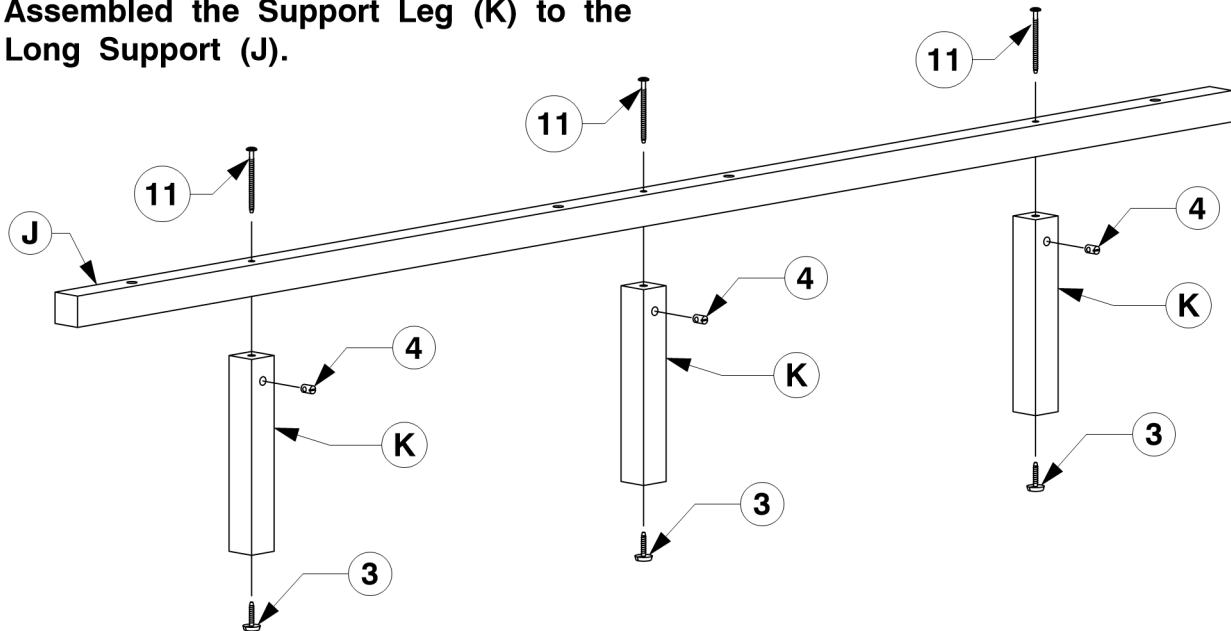


10 M6 x  
40mm JCB  
x 16

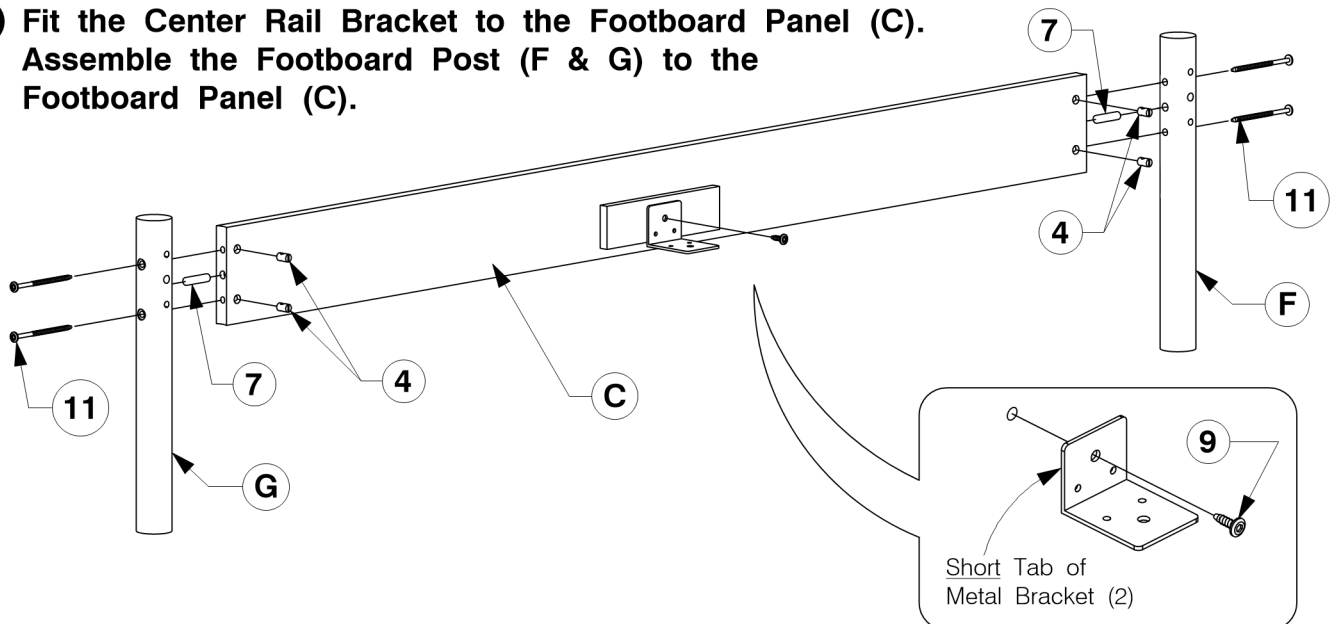


11 M6 x  
90mm JCB  
x 17

### 4 Assembled the Support Leg (K) to the Long Support (J).



### 5 Fit the Center Rail Bracket to the Footboard Panel (C). Assemble the Footboard Post (F & G) to the Footboard Panel (C).

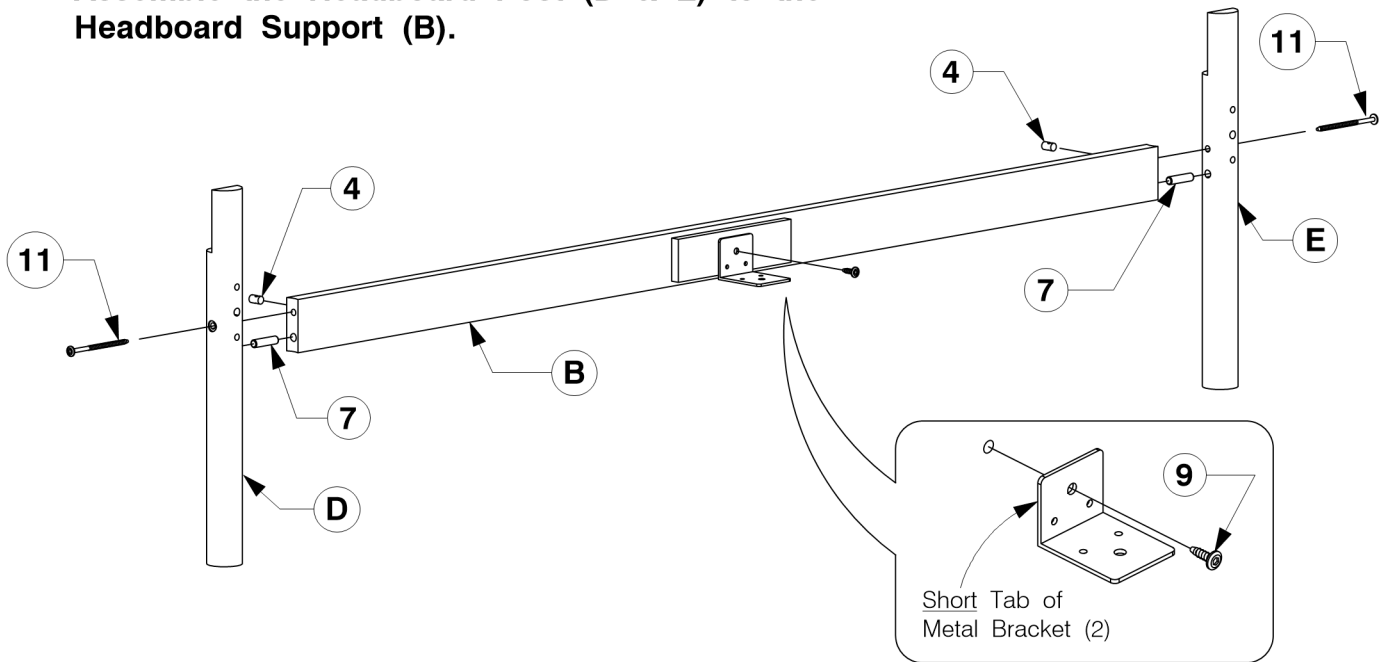


# 0220-1 Queen Bed

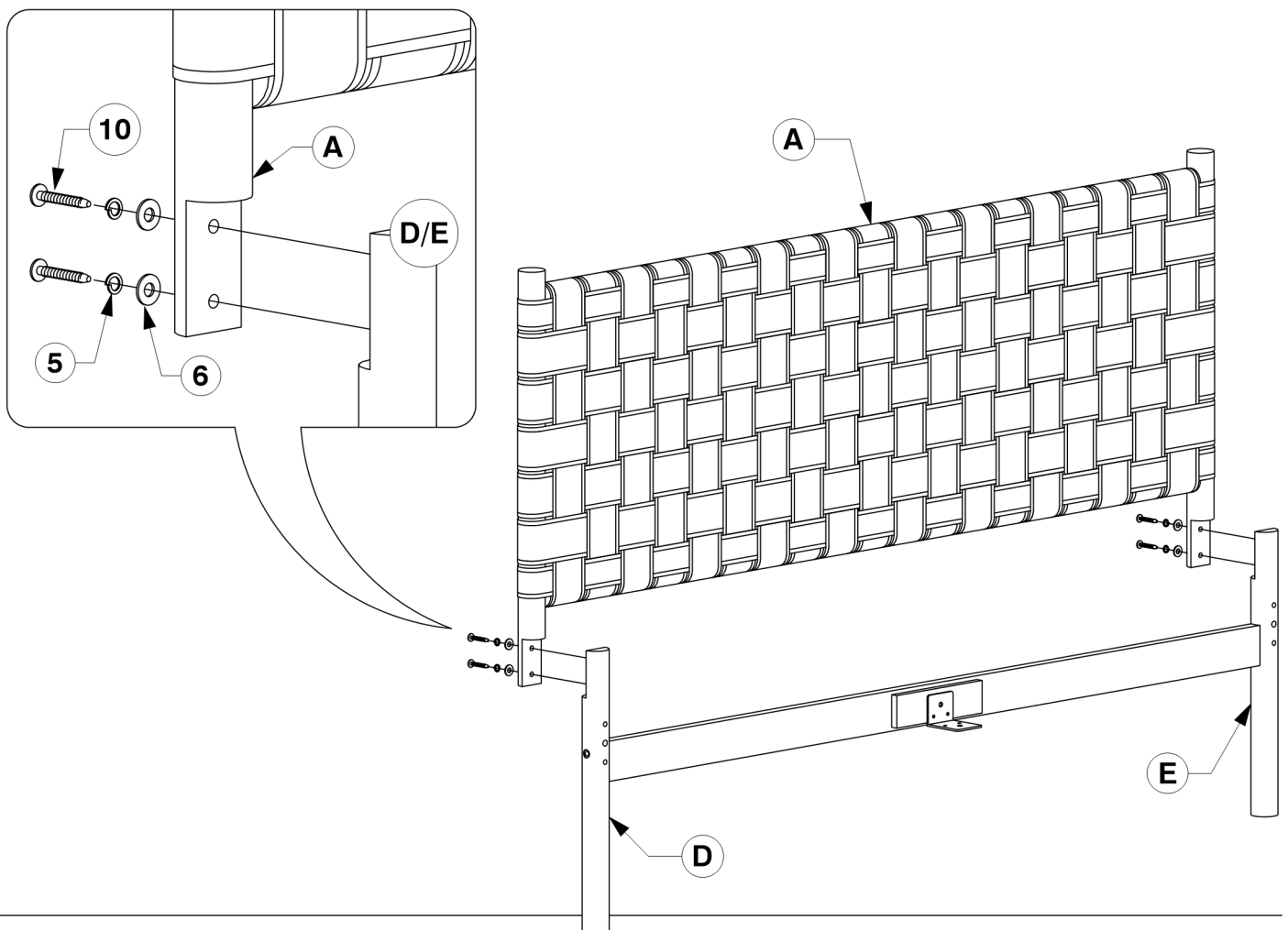
Assembly Instructions

WI-0523

- 6** Fit the Center Rail Bracket to the Headboard Support (B). Assemble the Headboard Post (D & E) to the Headboard Support (B).



- 7** Fit the Headboard Panel (A) to the Headboard Post (D & E).

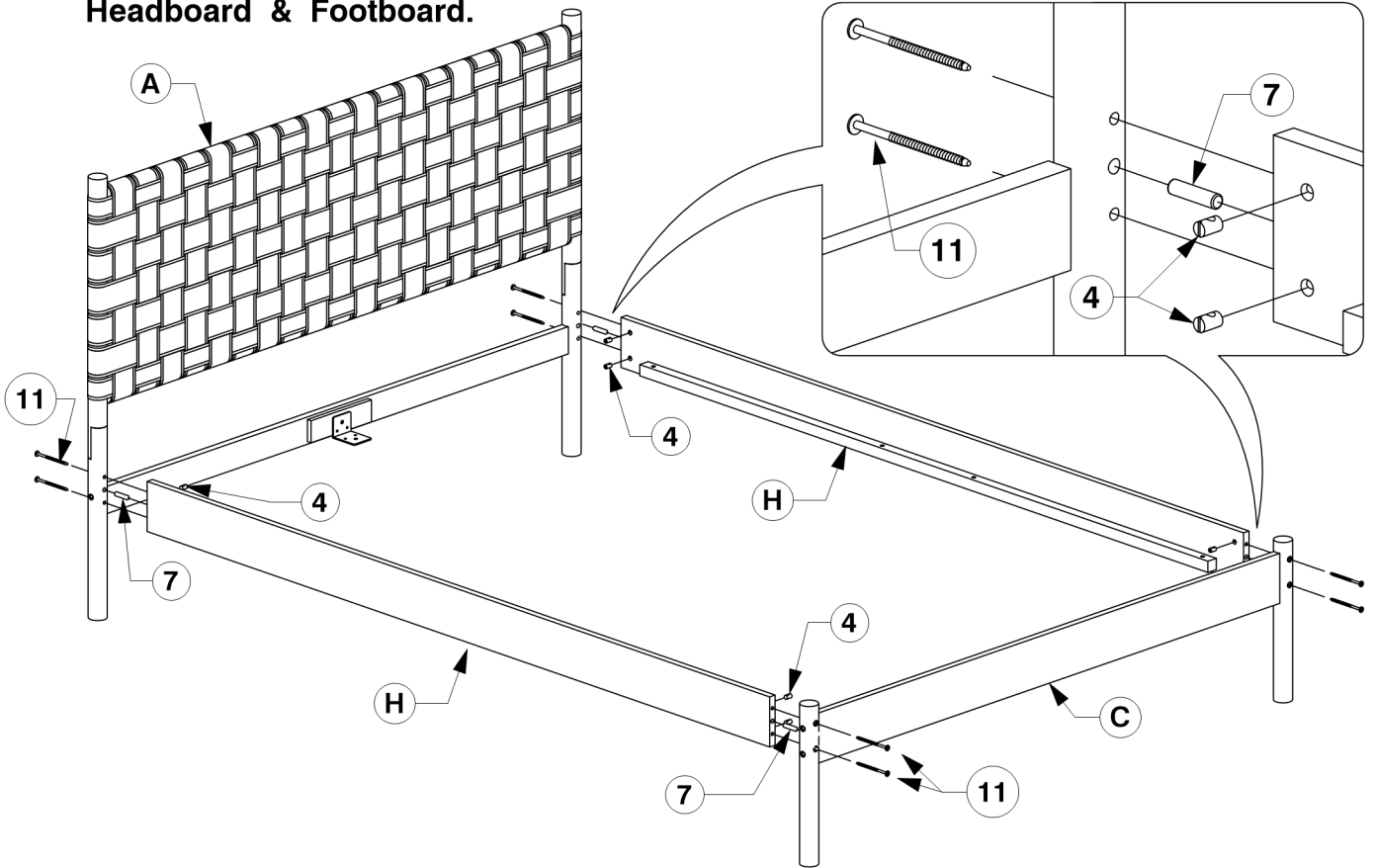


# 0220-1 Queen Bed

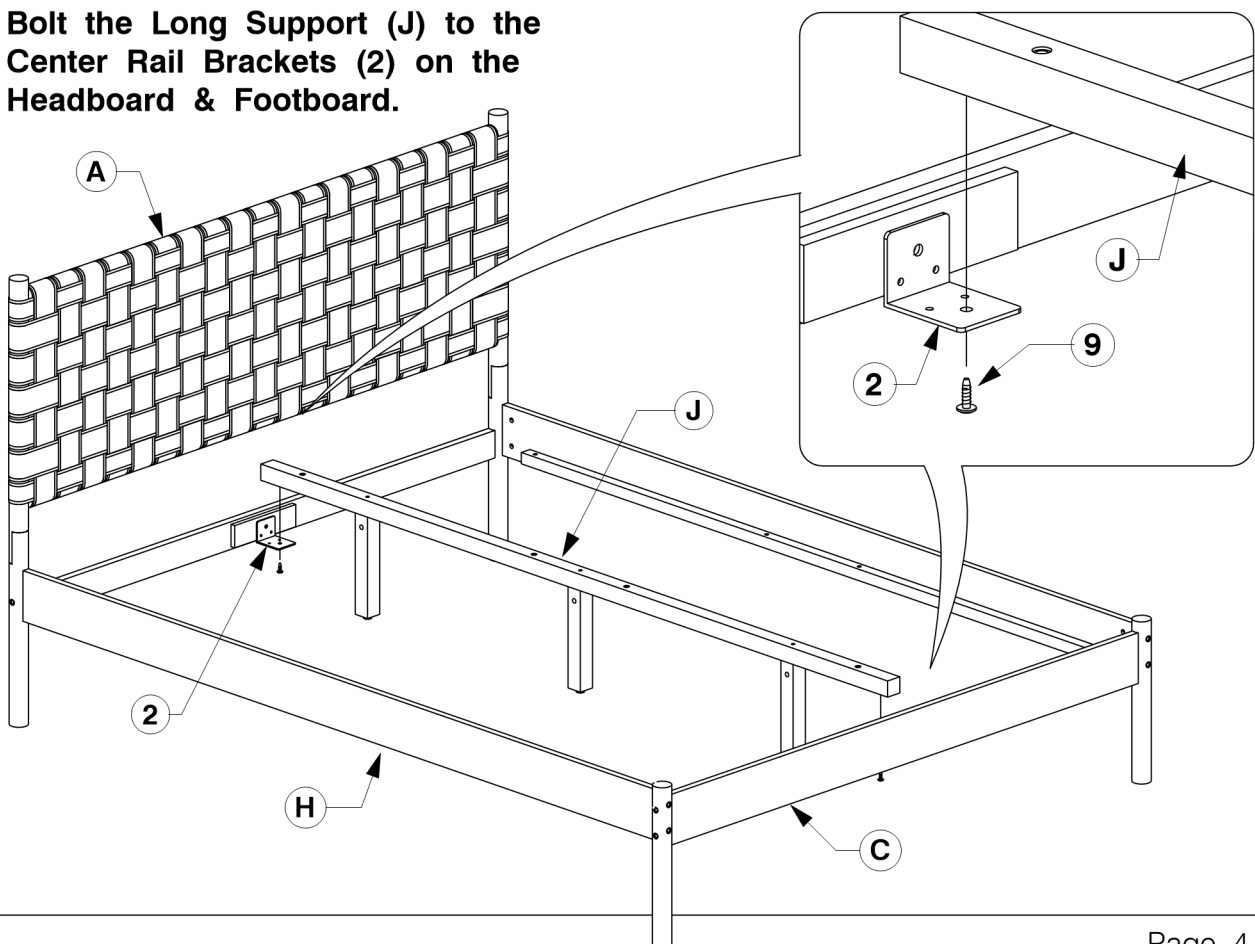
Assembly Instructions

WI-0423

- 8** Assemble the Side Rails (H) to the assembled Headboard & Footboard.



- 9** Bolt the Long Support (J) to the Center Rail Brackets (2) on the Headboard & Footboard.

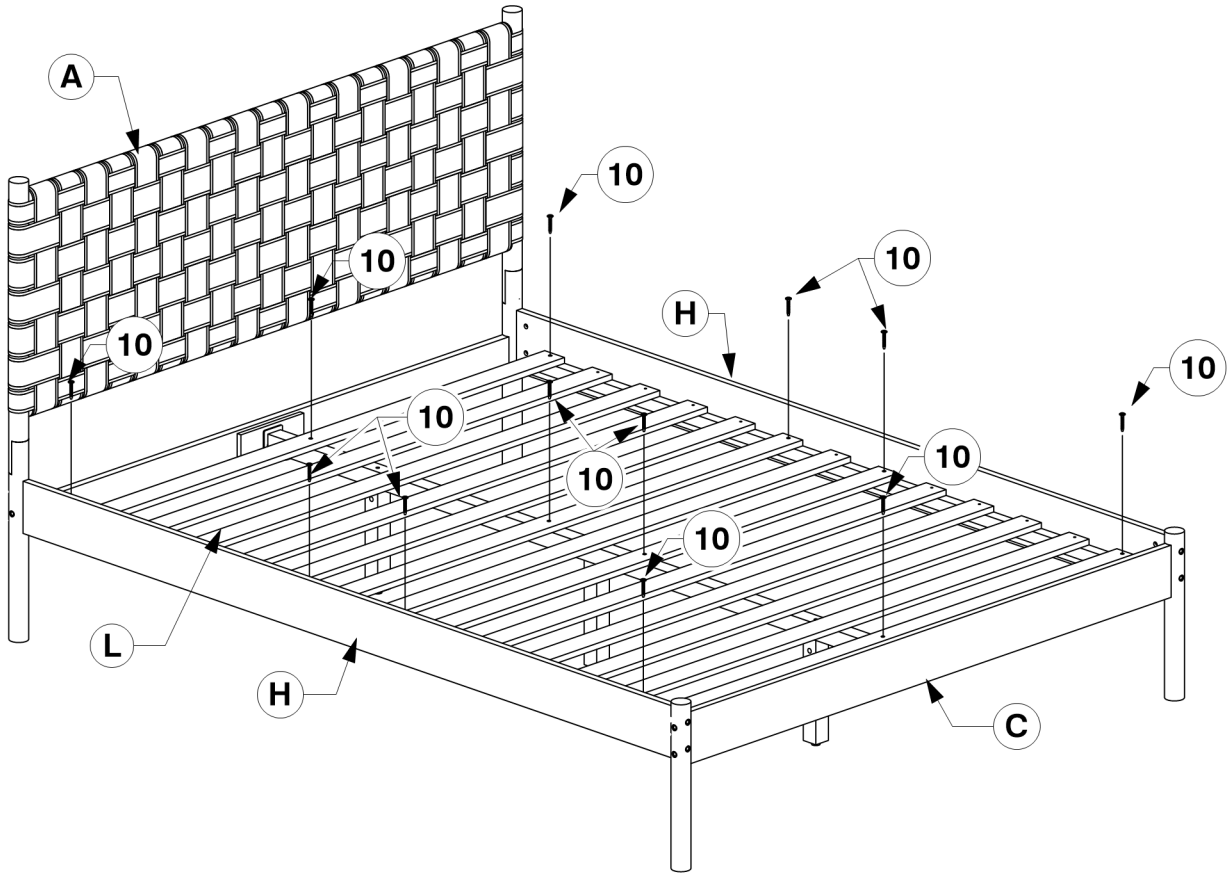


# 0220-1 Queen Bed

Assembly Instructions

WI-0423

**10 Bolt the Bed Slats (L) to the Side Rail (H).**



**11 Screw the Bed Rails (L) to the Side Rail (H).**

