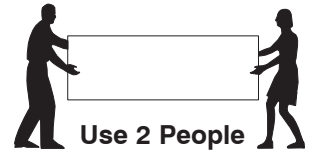
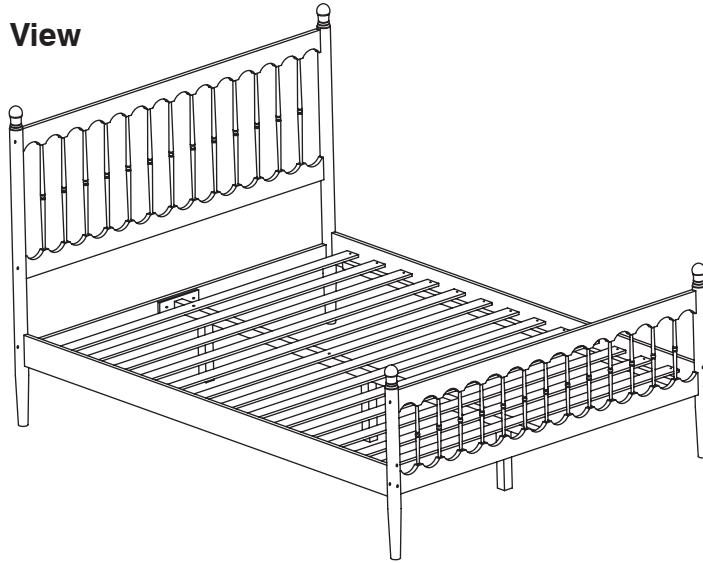


0206 Queen Bed

Assembly Instructions

WI-0523

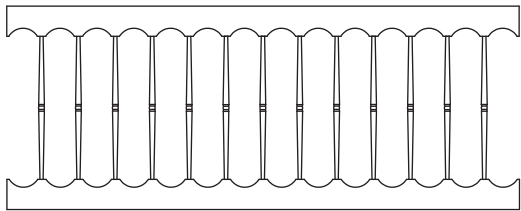
1 Assembled View



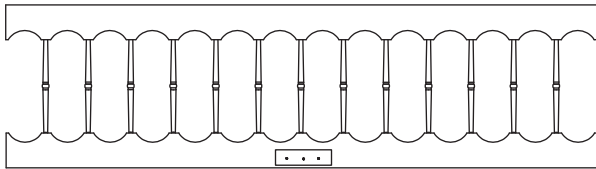
Note: Do not assemble using power tools. This can cause the bolts to be overtightened

2 Parts List

Parts in Box A:



A Headboard Panel x 1



B Footboard Panel x 1



C Headboard Support x 1



D Headboard Post x 2

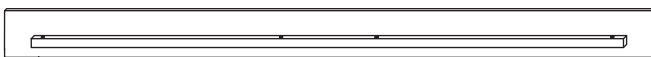


E Footboard Post x 2

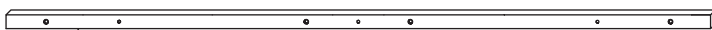


F Support Leg x 3

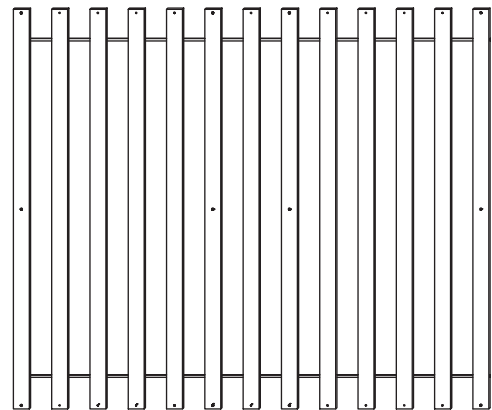
Parts in Box B:



G Side Rail x 2



H Long Support x 1



J Set of Bed Slats x 1

0206 Queen Bed

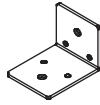
Assembly Instructions

WI-0523

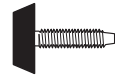
3 Hardware List



1 M4 Allen Key
x 1



2 Center Rail
Bracket x 2



3 Adjustable
Foot x 3



4 Wood Screw
(M4 x 32mm) x 18



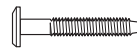
5 Wood Dowel
(10 x 40mm) x 6



6 Barrel Nut
x 21



7 M6 x 15mm
JCB x 4

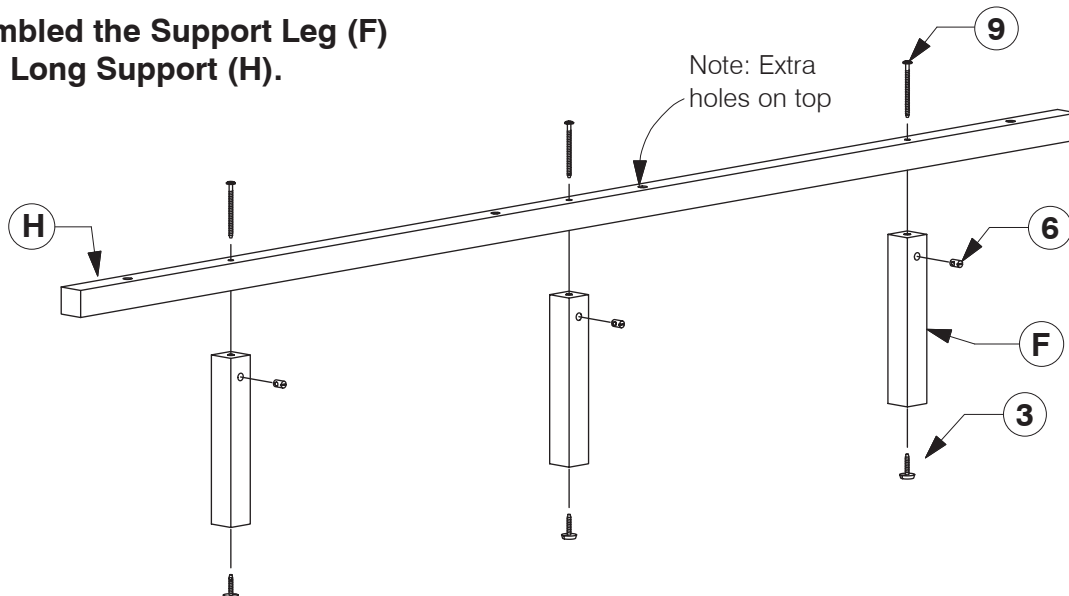


8 M6 x 40mm
JCB x 12

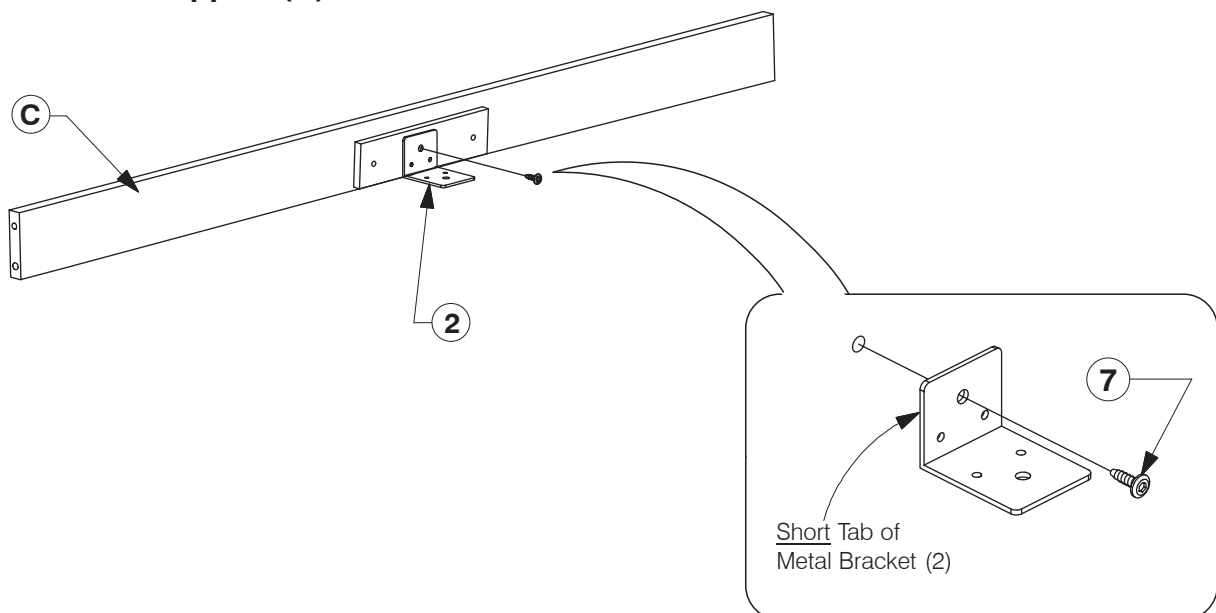


9 M6 x 90mm JCB
x 21

4 Assembled the Support Leg (F) to the Long Support (H).



5 Fit the Center Rail Bracket (2) to the Headboard Support (C).

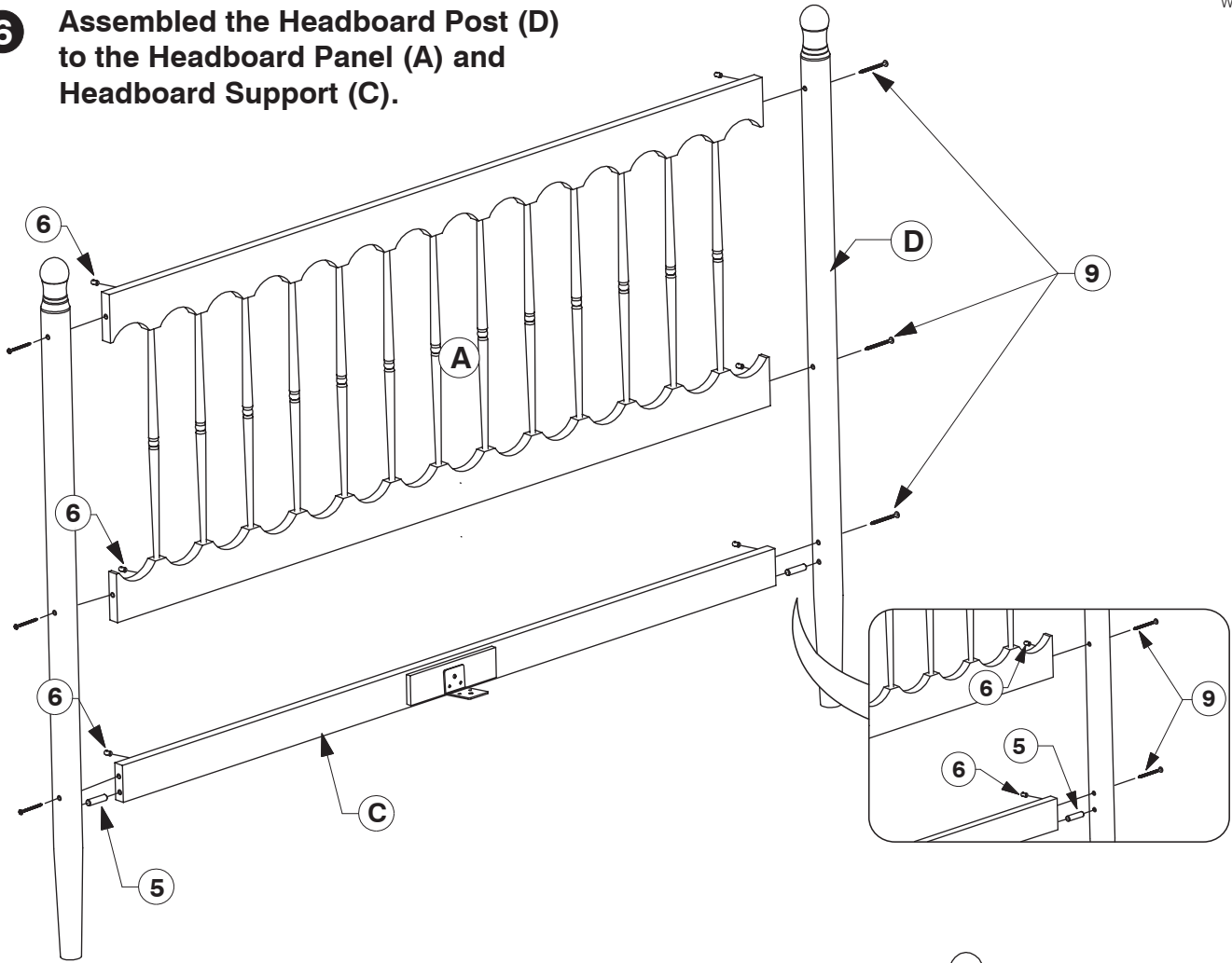


0206 Queen Bed

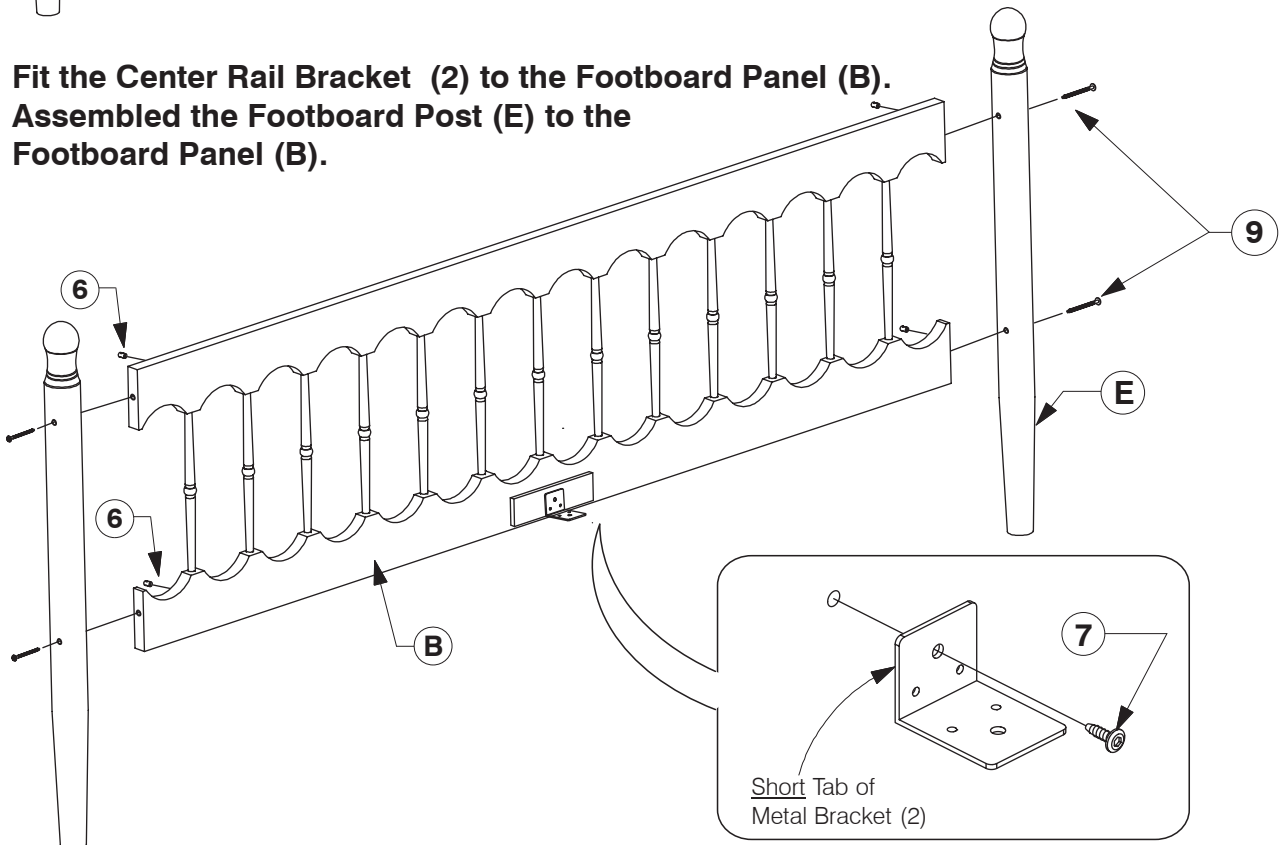
Assembly Instructions

WI-0523

- 6** Assembled the Headboard Post (D) to the Headboard Panel (A) and Headboard Support (C).



- 7** Fit the Center Rail Bracket (2) to the Footboard Panel (B). Assembled the Footboard Post (E) to the Footboard Panel (B).

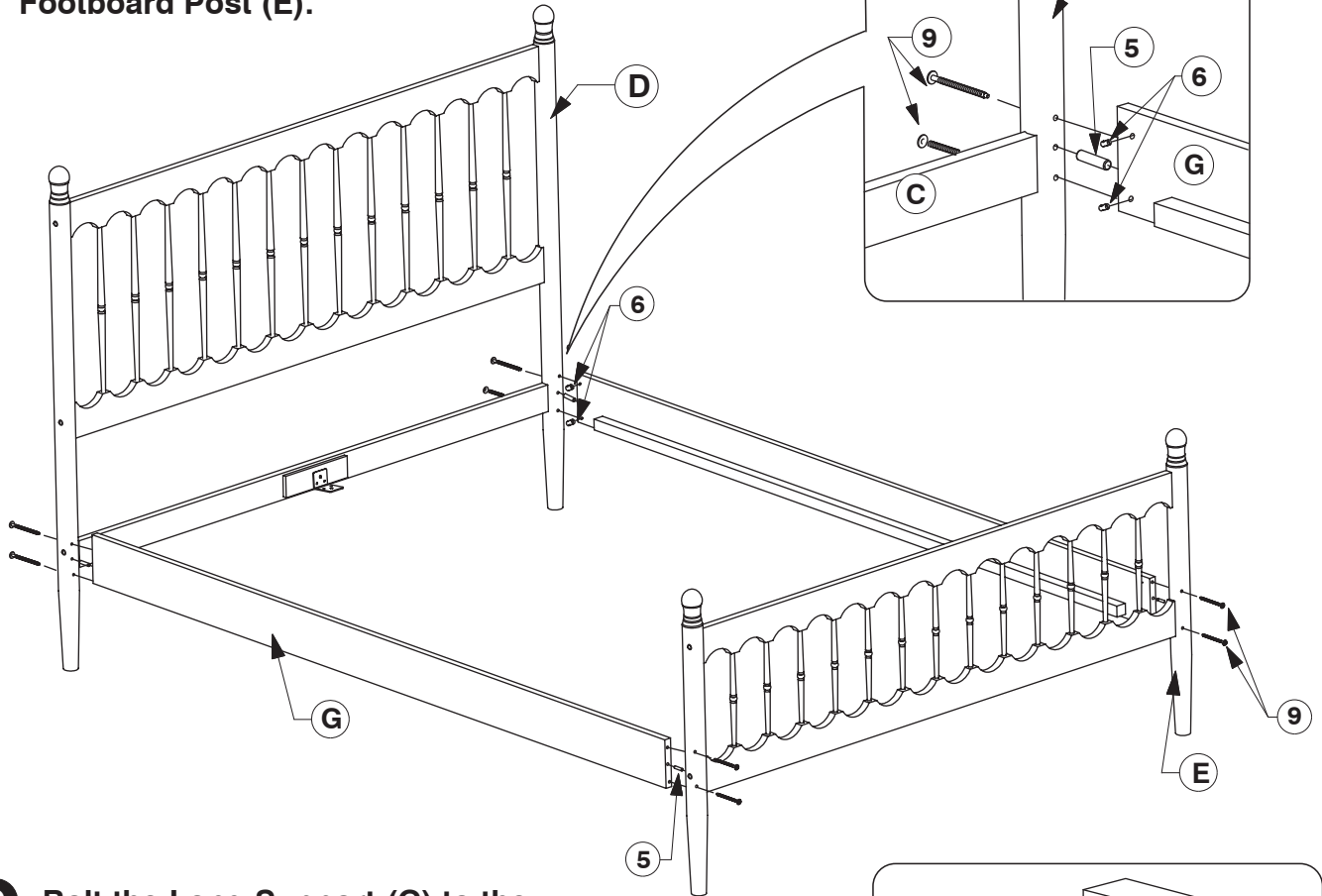


0206 Queen Bed

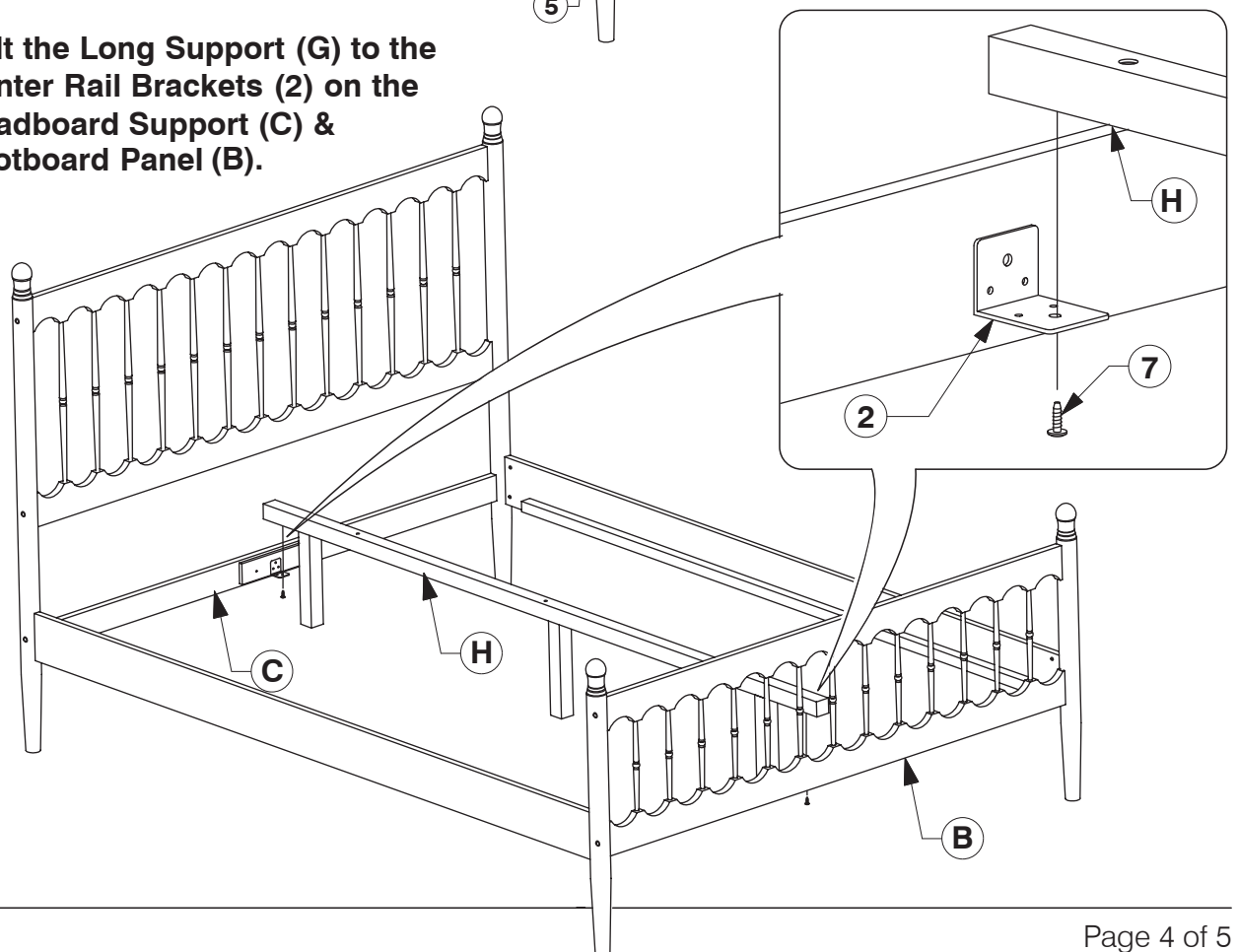
Assembly Instructions

WI-0523

- 8** Assemble the Side Rail (F) to the Headboard Post (D) and Footboard Post (E).



- 9** Bolt the Long Support (G) to the Center Rail Brackets (2) on the Headboard Support (C) & Footboard Panel (B).



0206 Queen Bed

Assembly Instructions

WI-0523

10 Screw the Bed Slats (J) to the Side Rail (F).

