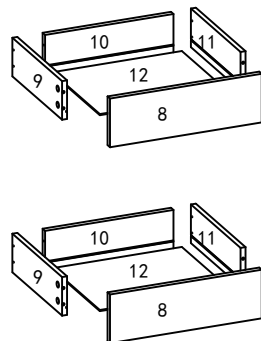
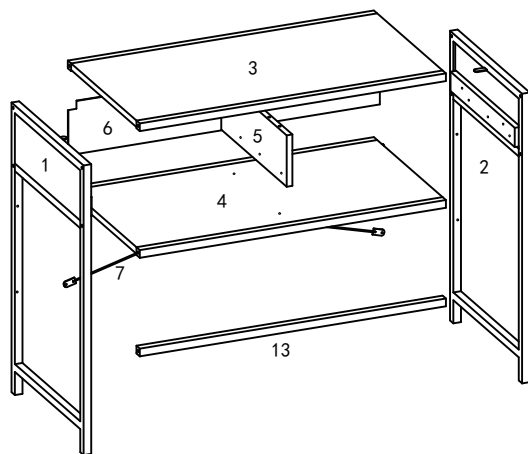
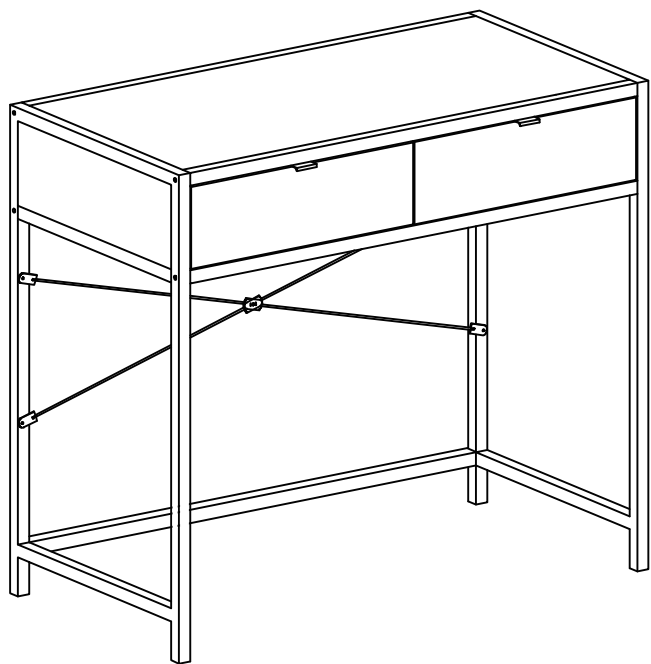


# ASSEMBLY INSTRUCTION

## PART LIST



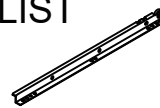
- 1: left leg
- 2: right leg
- 3: top panel
- 4: bottom panel
- 5: middle divider panel
- 6: back panel
- 7: back X bar
- 8: drawer front panel
- 9: drawer left panel
- 10: drawer back panel
- 11: drawer right panel
- 12: drawer bottom panel
- 13: metal tube



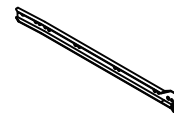
## HARDWARE LIST



A x 24  
screw  
D3.5X12mm



B x 2  
left drawer rail



C x 2  
right drawer rail



D x 10  
cam lock



E x 10  
bolt  
D6x30mm



F x 10  
screw  
D4x35mm



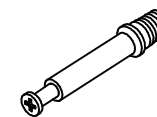
G x 4  
wooden dowel



H x 4  
screw  
M4X25mm



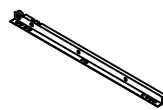
I x 4  
nut  
M4X6mm



J x 10  
cam lock pin



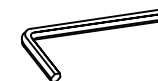
K x 2  
handle



L x 2  
right drawer slider



M x 2  
left drawer slider



N x 1  
hex wrench



O x 2  
plastic anchor



P x 2  
screw  
D4x35mm



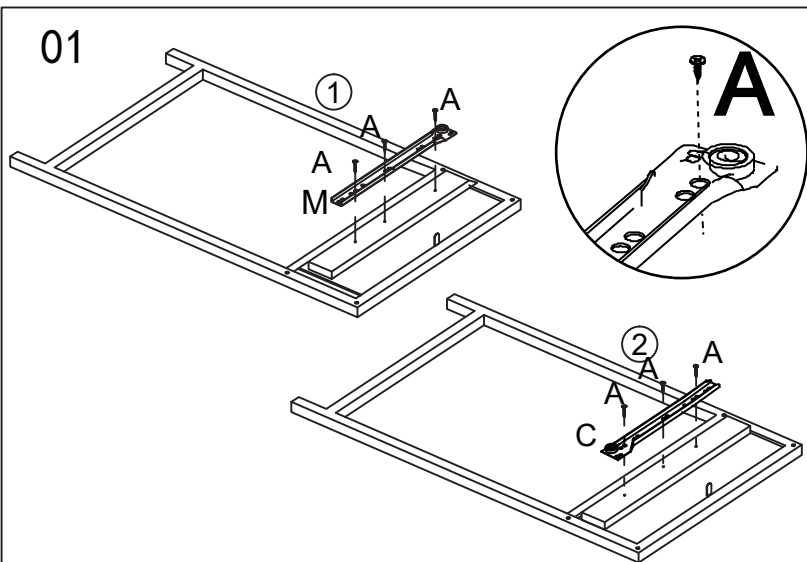
Q x 2  
gasket



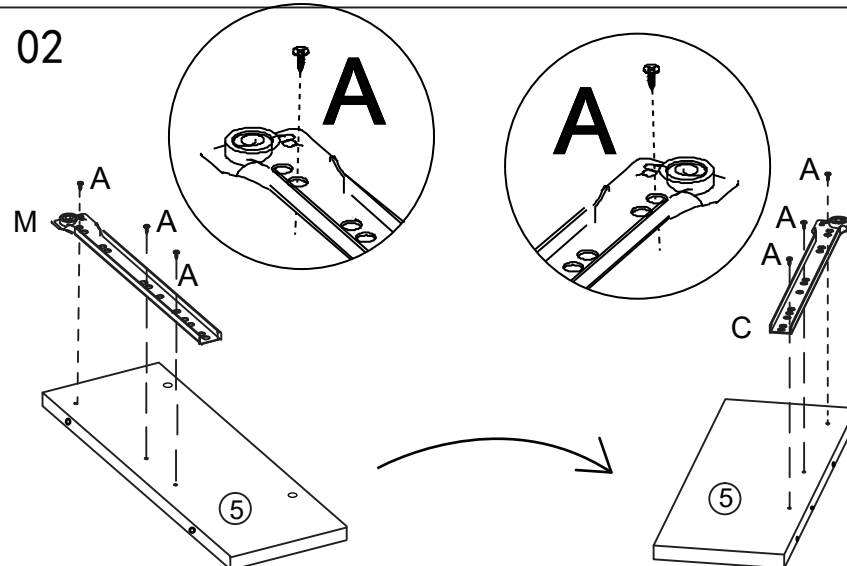
R x 1  
wrench



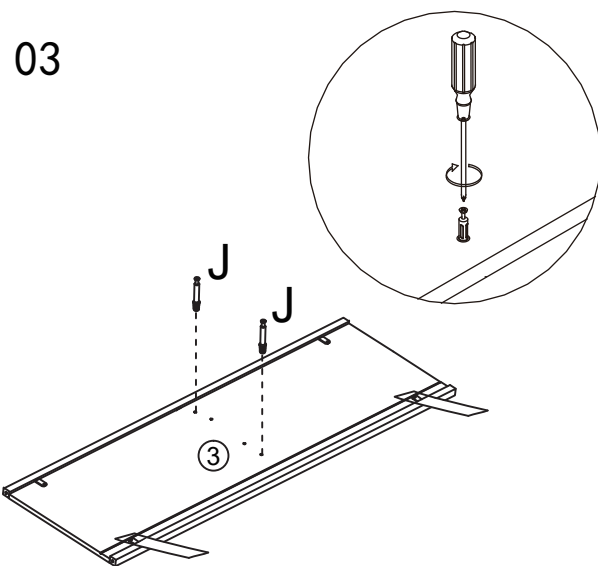
S x 4  
screw  
D3x12mm



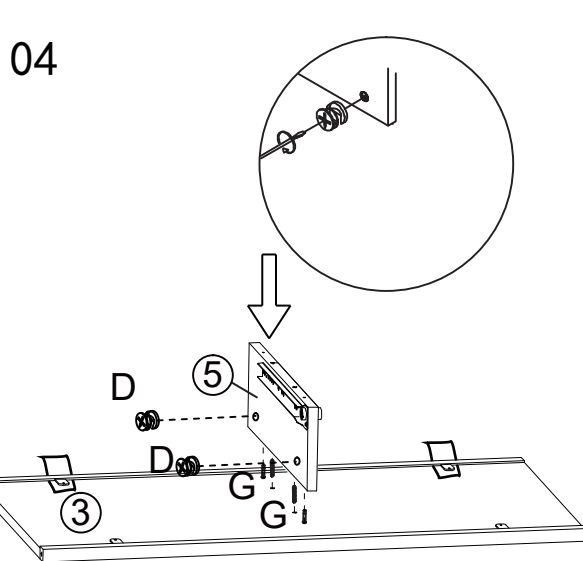
Use screw(A) to fix left drawer slider(M) on left leg(1), and fix right drawer rail(C) on right leg(2).



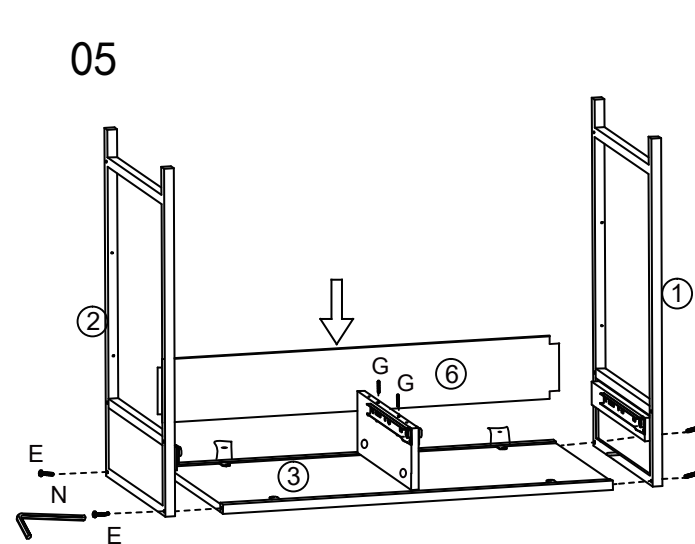
Use screw(A) to fix left drawer slider(M) on middle divider panel(5) and turn back to fix right drawer rail(C) on middle divider panel(5).



Screw 2pc cam lock pin(J) on top panel (3).

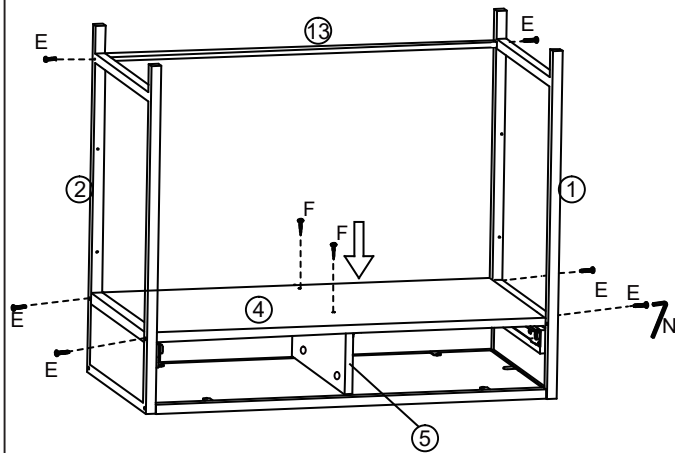


Put 2pc wooden dowels(G) on top panel (3) and put 2pc cam lock(D) inside the hole and lock middle divider panel(5) on top panel(3).



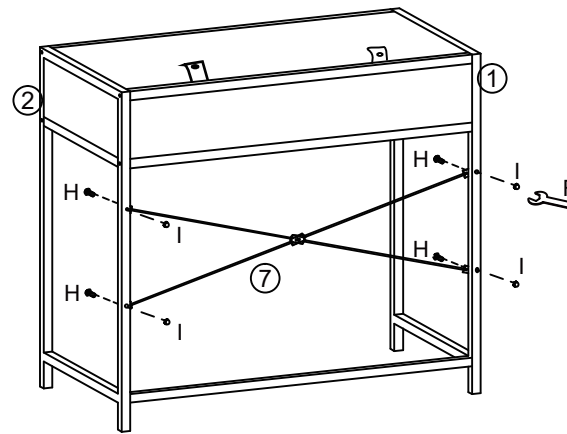
Use screw (E) to fix left and right legs(1,2) on top panel(3) by using hex wrench(N), inset back panel in(6).

06



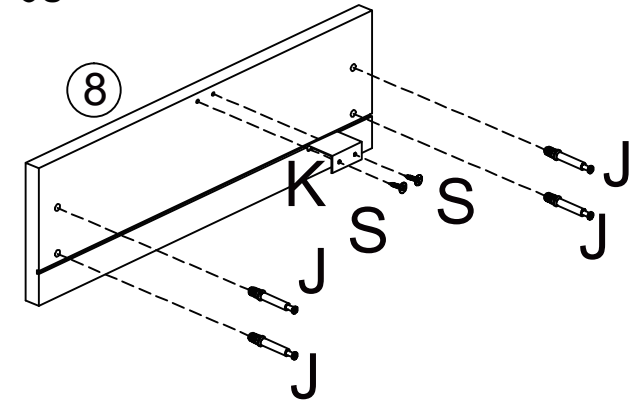
Use 2pc screws(F) to fix bottom panel(4) on middle divider panel(5), use screw(E) to fix left and right legs(1,2) to bottom panel and metal tube(13).

07



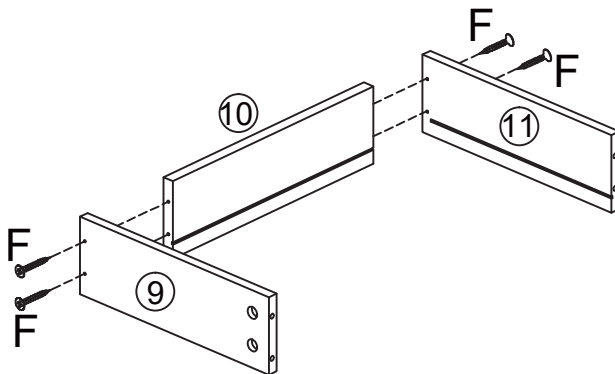
Use screw and nut(H/I) to fix back X bar(7) to left and right legs(1,2) .

08



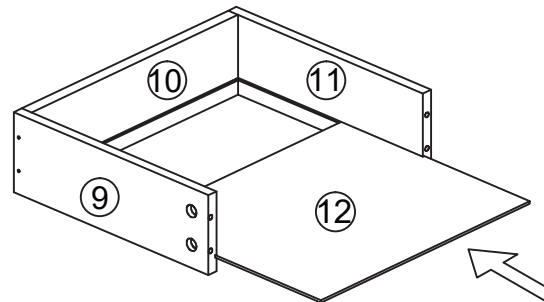
Screw 4pc cam lock pin(J) on drawer front panel(8), use 2pc screw(S) to fix handle(K) on (8).

09



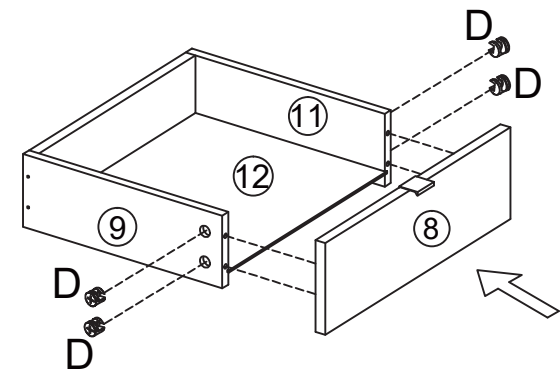
Use screw(F) to fix drawer left/right panel (9,11) on drawer back panel(10).

10

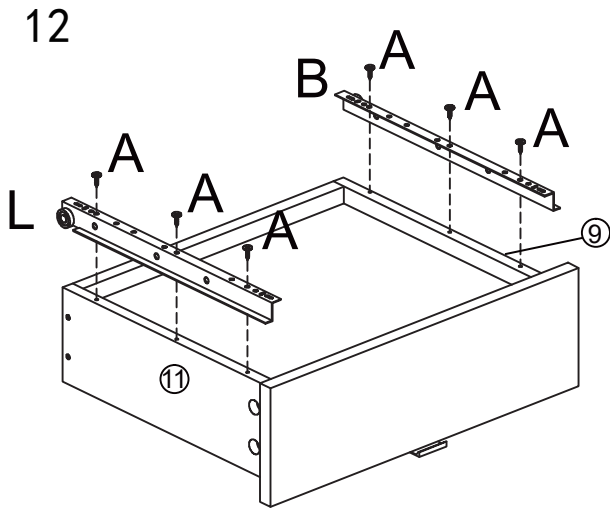


Insert drawer bottom panel(12).

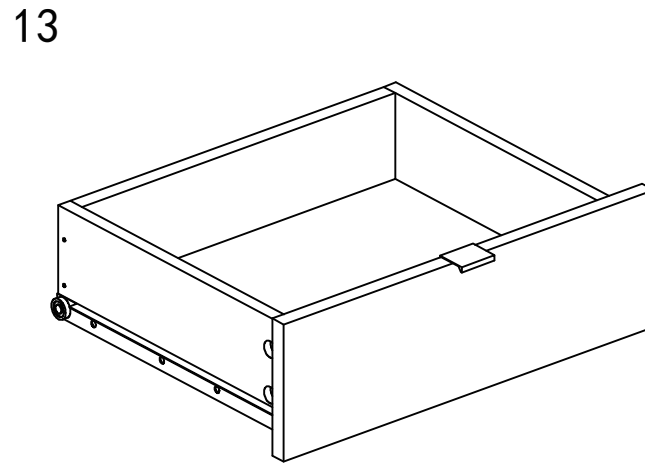
11



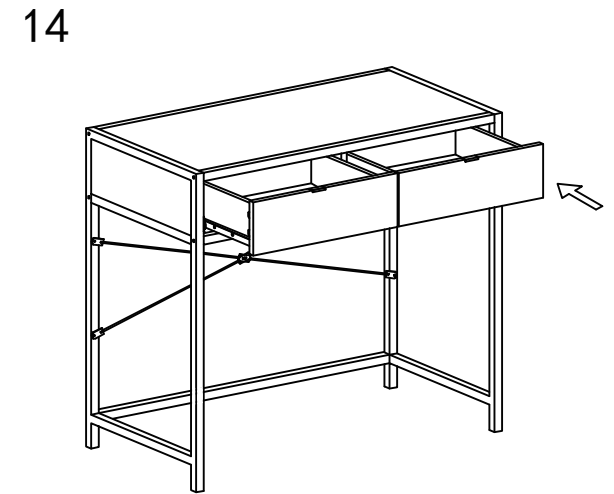
Put cam lock(D) in drawer left and right panel(9, 11) and lock them on drawer front panel(8).



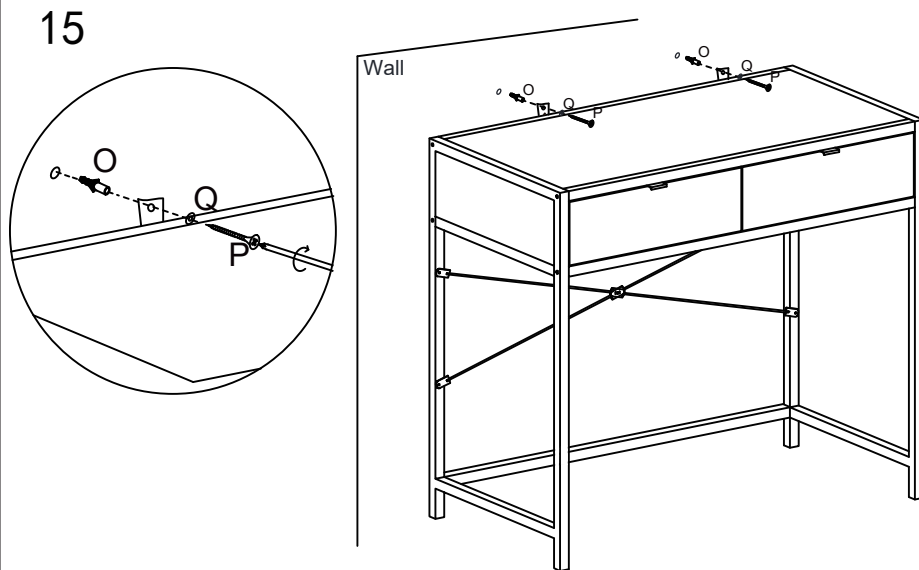
Use screw(A) to fix left drawer rail(B) and right drawer slider(L) on drawer left and right panels(9,11).



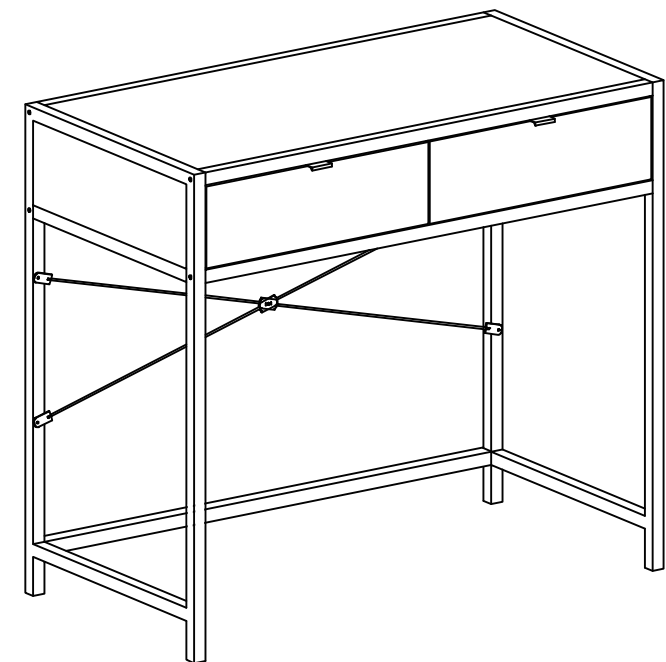
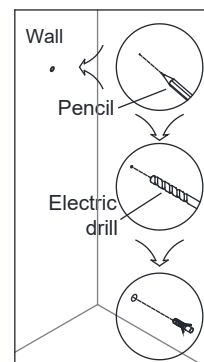
Repeat step 8-12 for the other one drawer.



Insert drawers.



Fix anti-tilting with(P, Q,O) as shown.



Finish assembly.