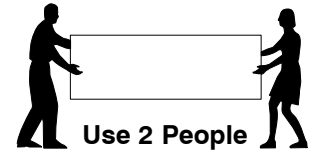
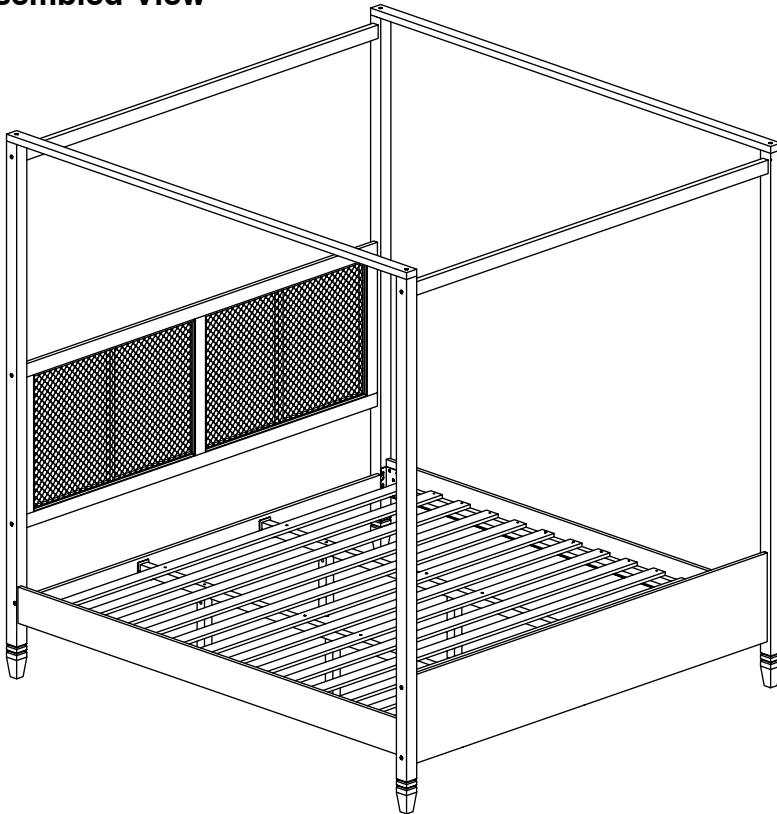


# 0021-3 Canopy King Bed

## Assembly Instructions

WI-0820

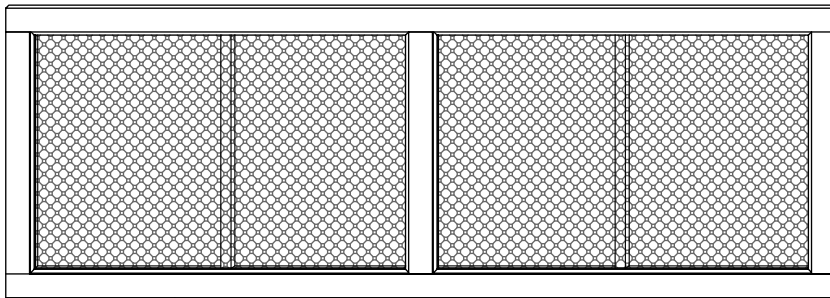
### 1 Assembled View



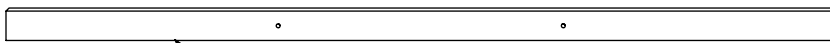
**Note:** Do not assemble using power tools. This can cause the bolts to be overtightened

### 2 Parts List

Parts in Box A:



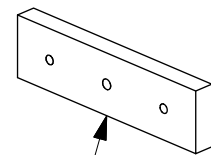
**A** Headboard Panel x 1



**B** Headboard Support x 1



**C** Footboard Panel x 1



**D** Footboard Support Bar x 2

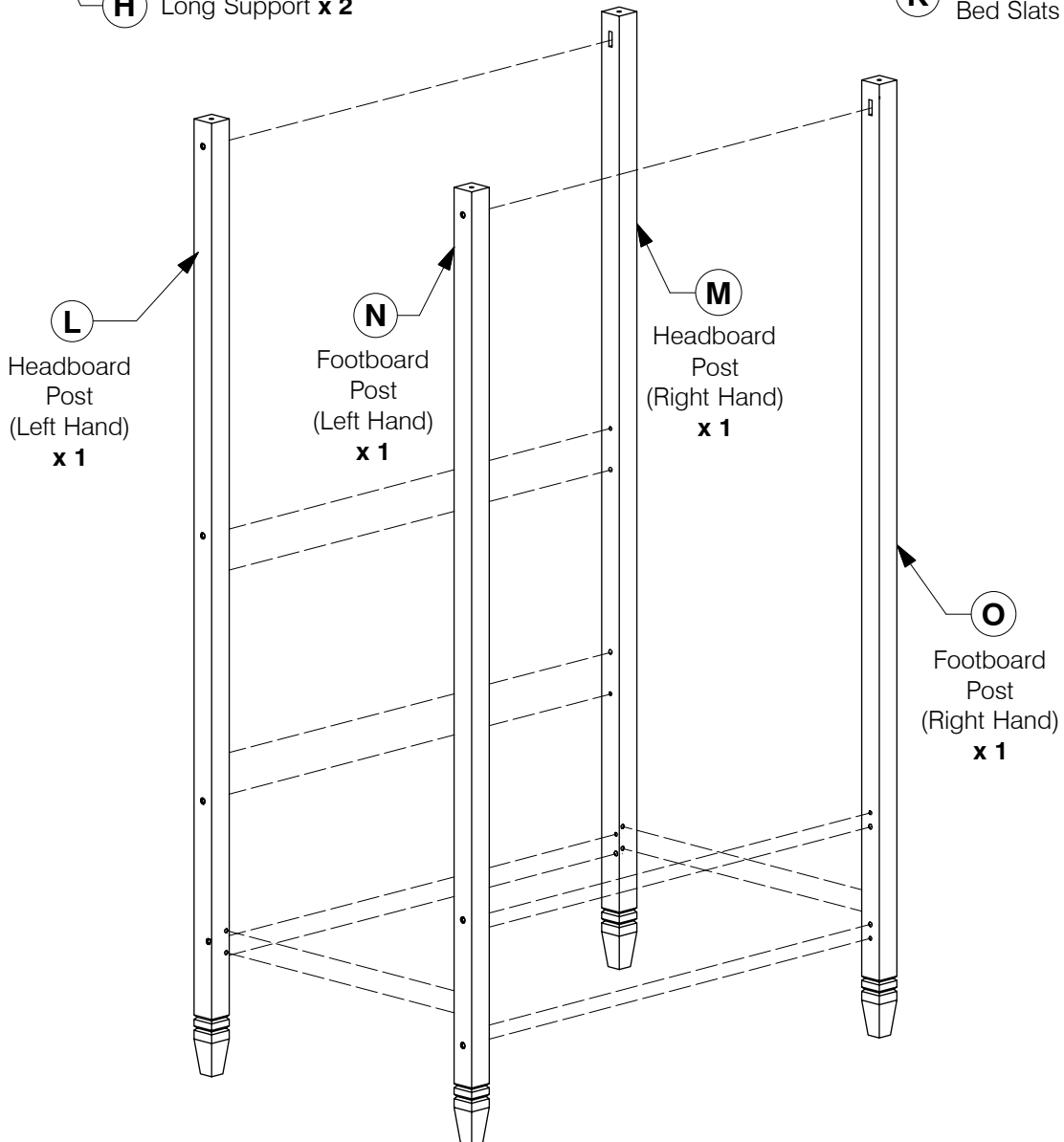
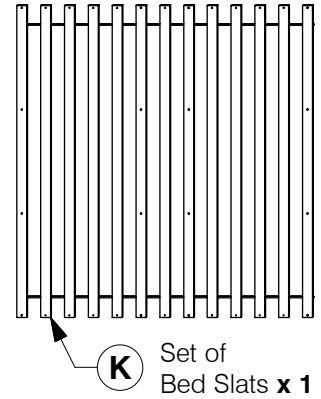
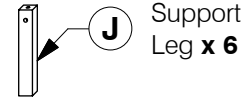
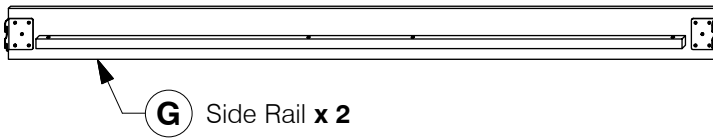
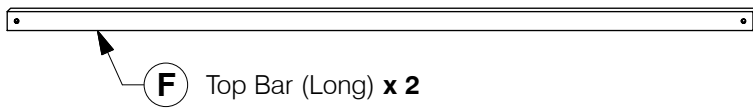
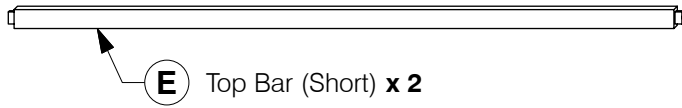
# 0021-3 Canopy King Bed

## Assembly Instructions

WI-0820

### 2 Parts List

Parts in Box B:



# 0021-3 Canopy King Bed

## Assembly Instructions

WI-0820

### 3 Hardware List



1 M6 x 100mm JCB  
x 14



2 M6 x 90mm JCB  
x 6



3 M6 x 50mm JCB  
x 4



4 M6 x 40mm JCB  
x 16



5 M6 x 30mm JCB  
x 4



6 M6 x 20mm JCB  
x 8



7 M6 x 15mm JCB  
x 8



8 Wood Dowel  
(M10 x 40mm) x 10



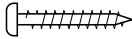
9 Barrel Nut  
x 20



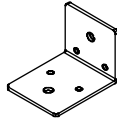
10 Spring Washer  
x 8



11 Flat Washer  
x 8



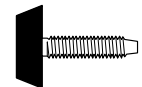
12 Wood Screw  
(M4 x 32mm) x 18



13 Center Rail  
Bracket x 4

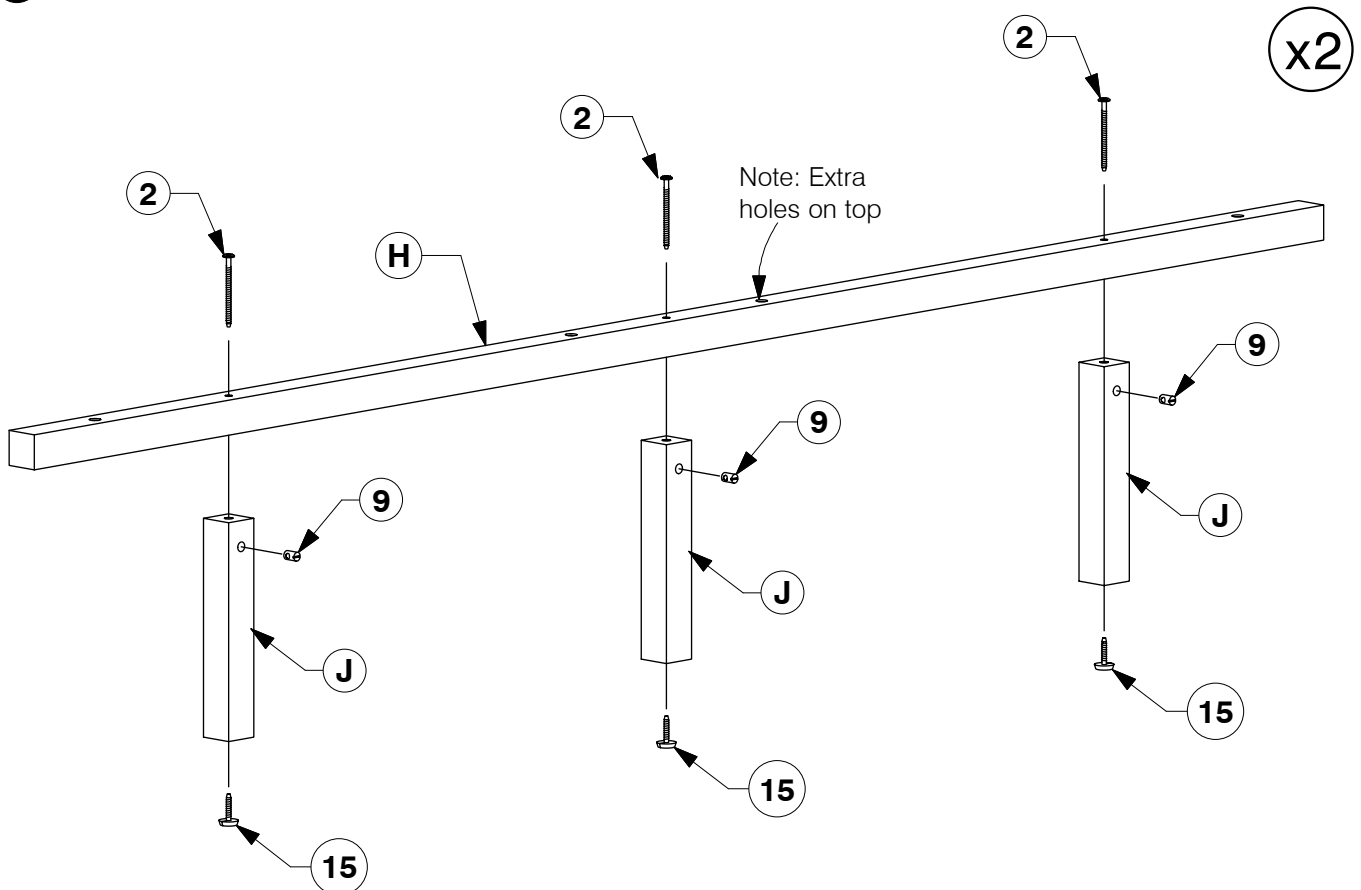


14 Allen Key  
x 1



15 Adjustable  
Foot x 6

### 4 Assemble the Support Leg (J) to the Long Support (H).

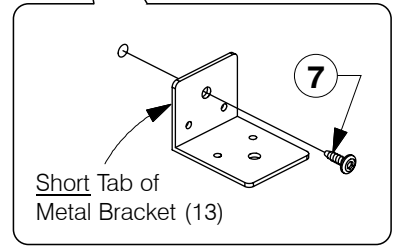
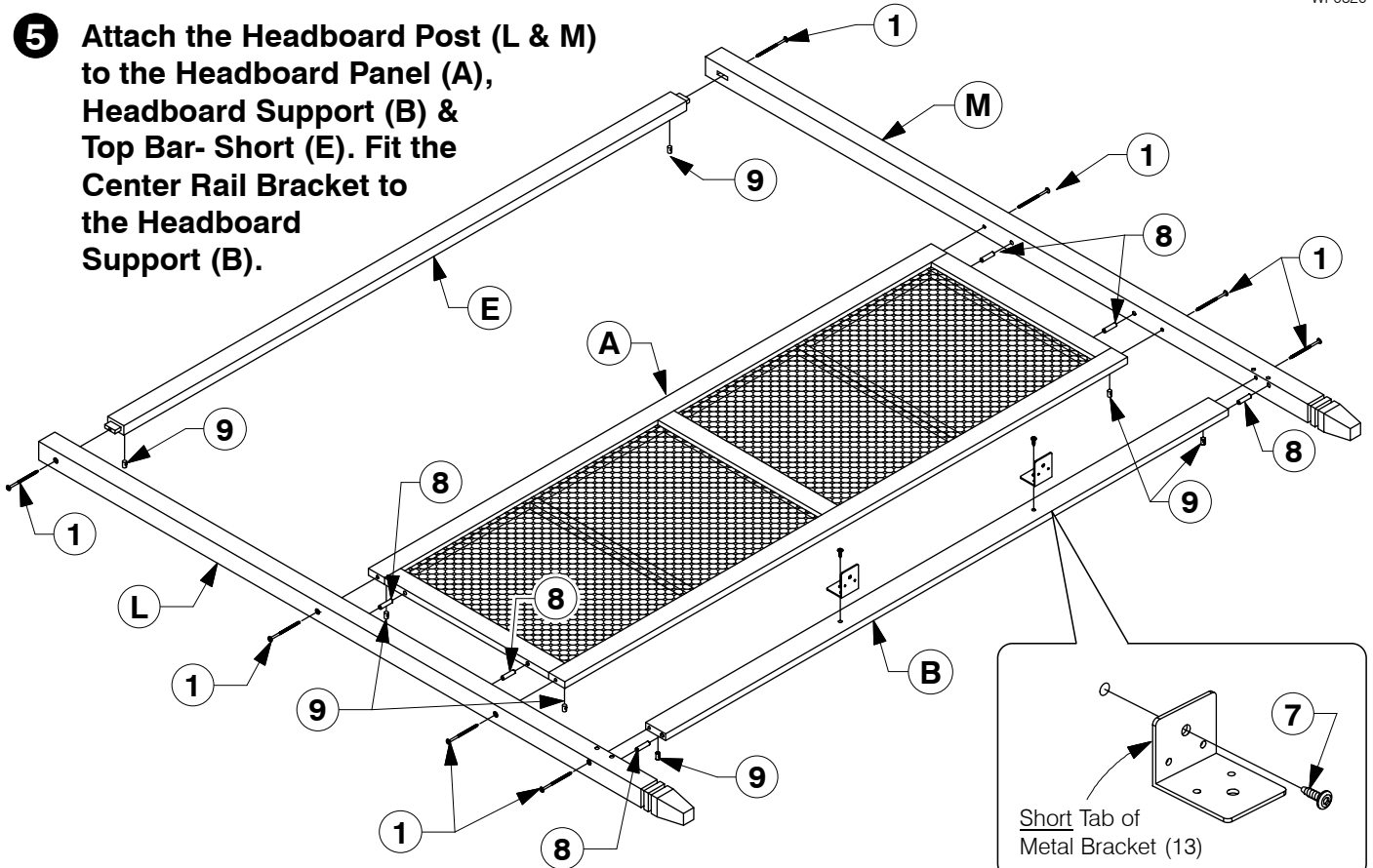


# 0021-3 Canopy King Bed

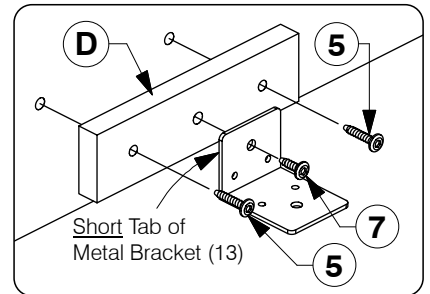
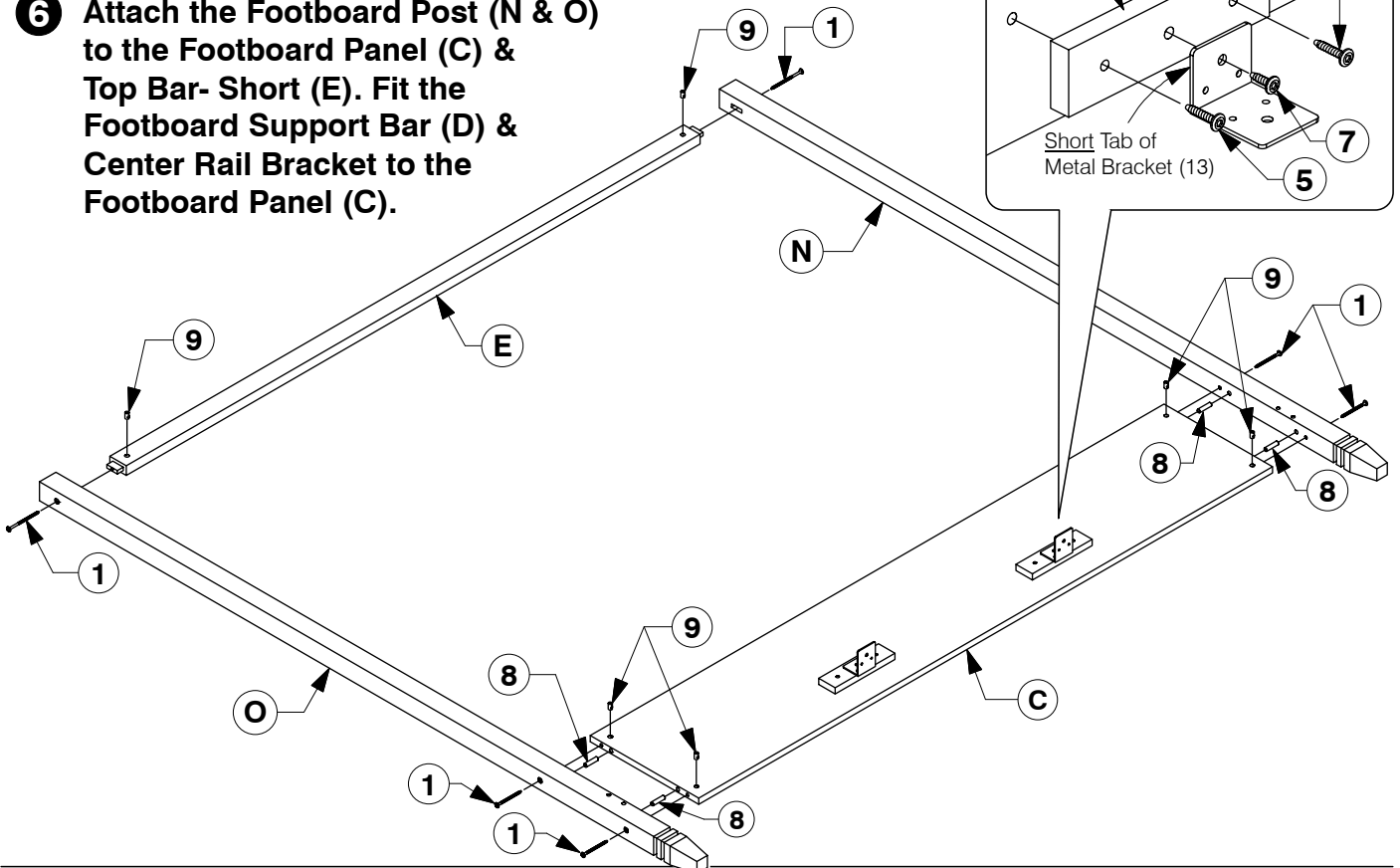
## Assembly Instructions

WI-0820

- 5** Attach the Headboard Post (L & M) to the Headboard Panel (A), Headboard Support (B) & Top Bar- Short (E). Fit the Center Rail Bracket to the Headboard Support (B).



- 6** Attach the Footboard Post (N & O) to the Footboard Panel (C) & Top Bar- Short (E). Fit the Footboard Support Bar (D) & Center Rail Bracket to the Footboard Panel (C).

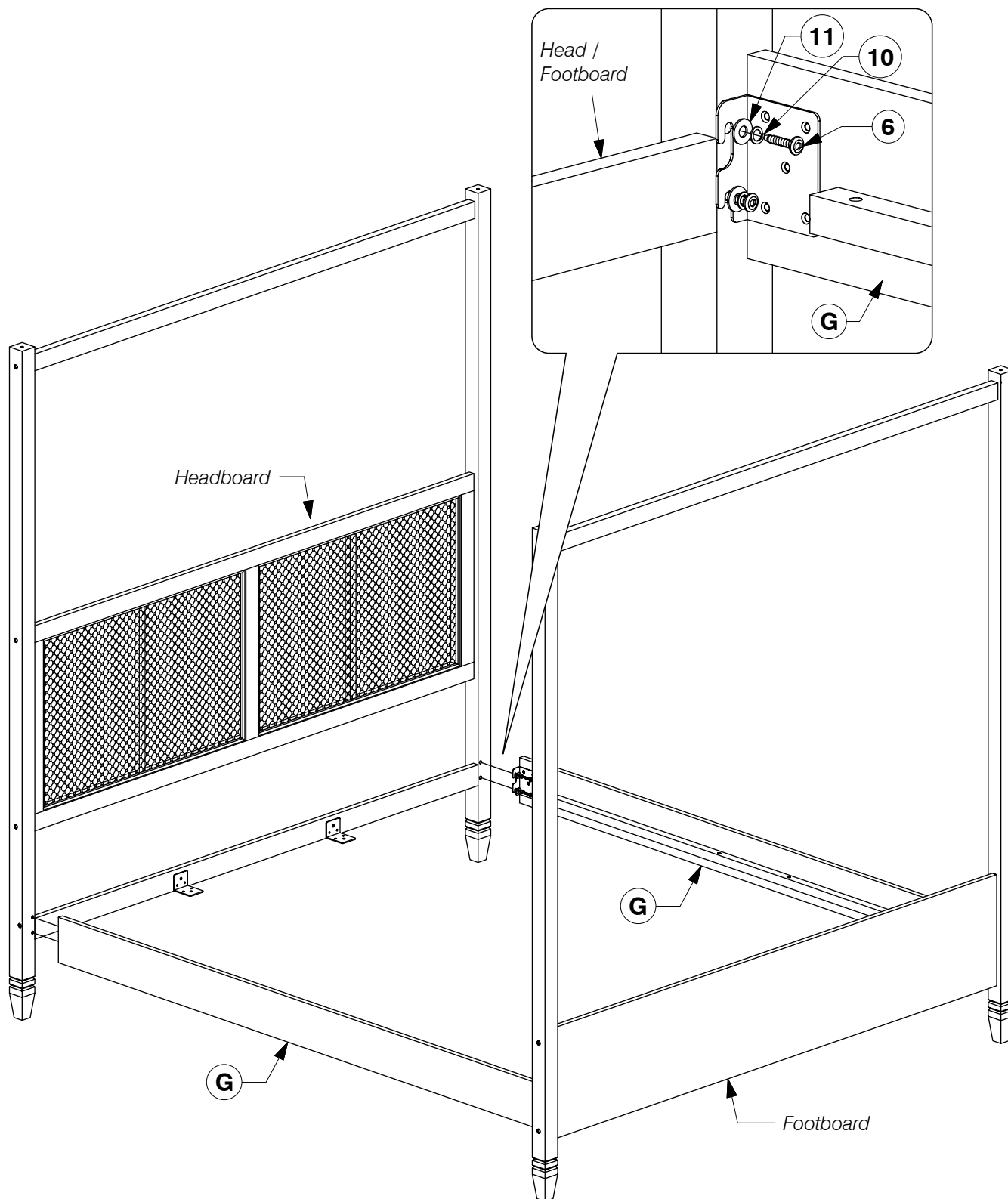


# 0021-3 Canopy King Bed

## Assembly Instructions

WI-0820

- 7** Assemble the Side Rail (G) to the Head / Footboard.

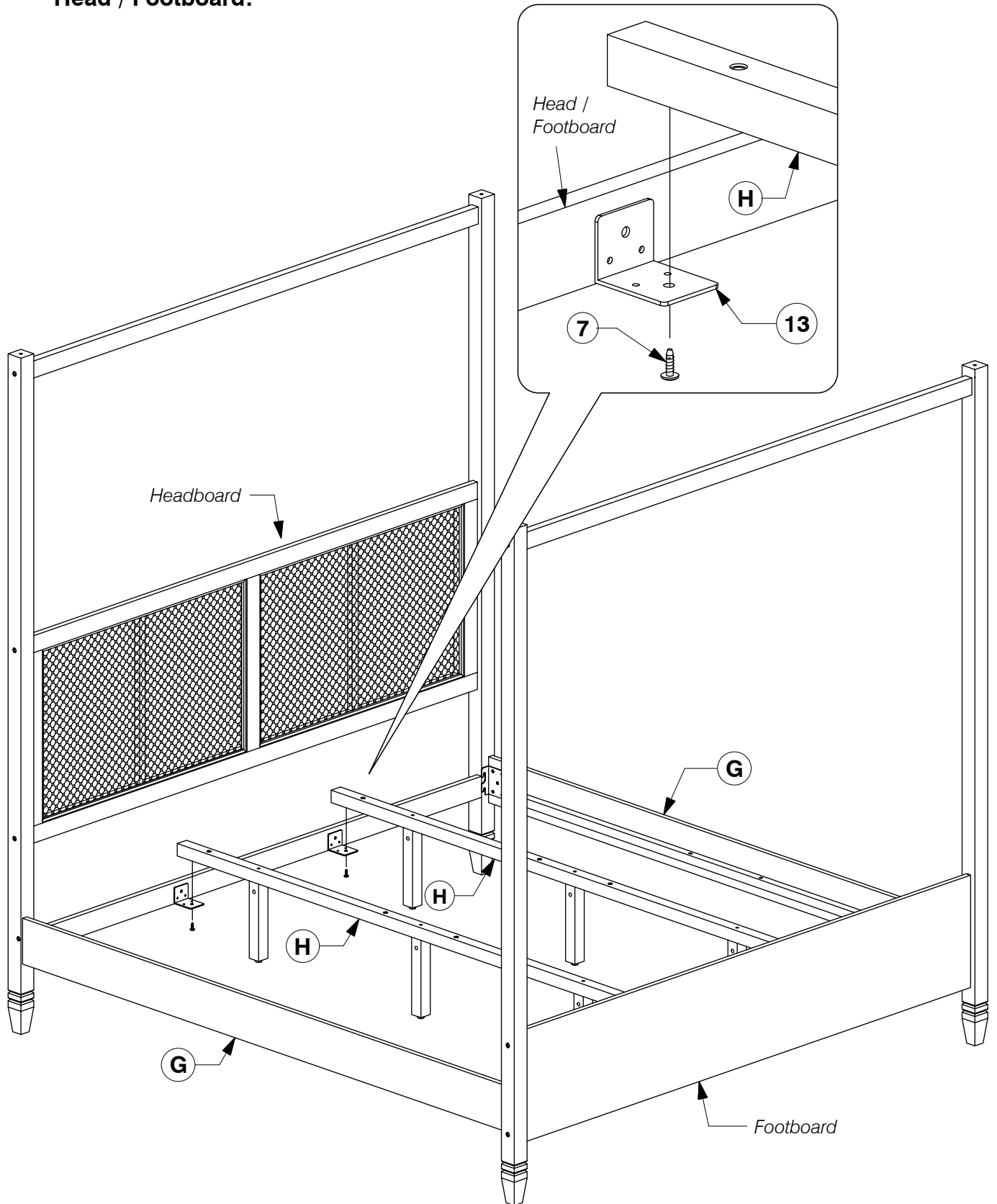


# 0021-3 Canopy King Bed

## Assembly Instructions

WI-0820

- 8** Bolt the Long Support (H) to the Center Rail Brackets on the Head / Footboard.

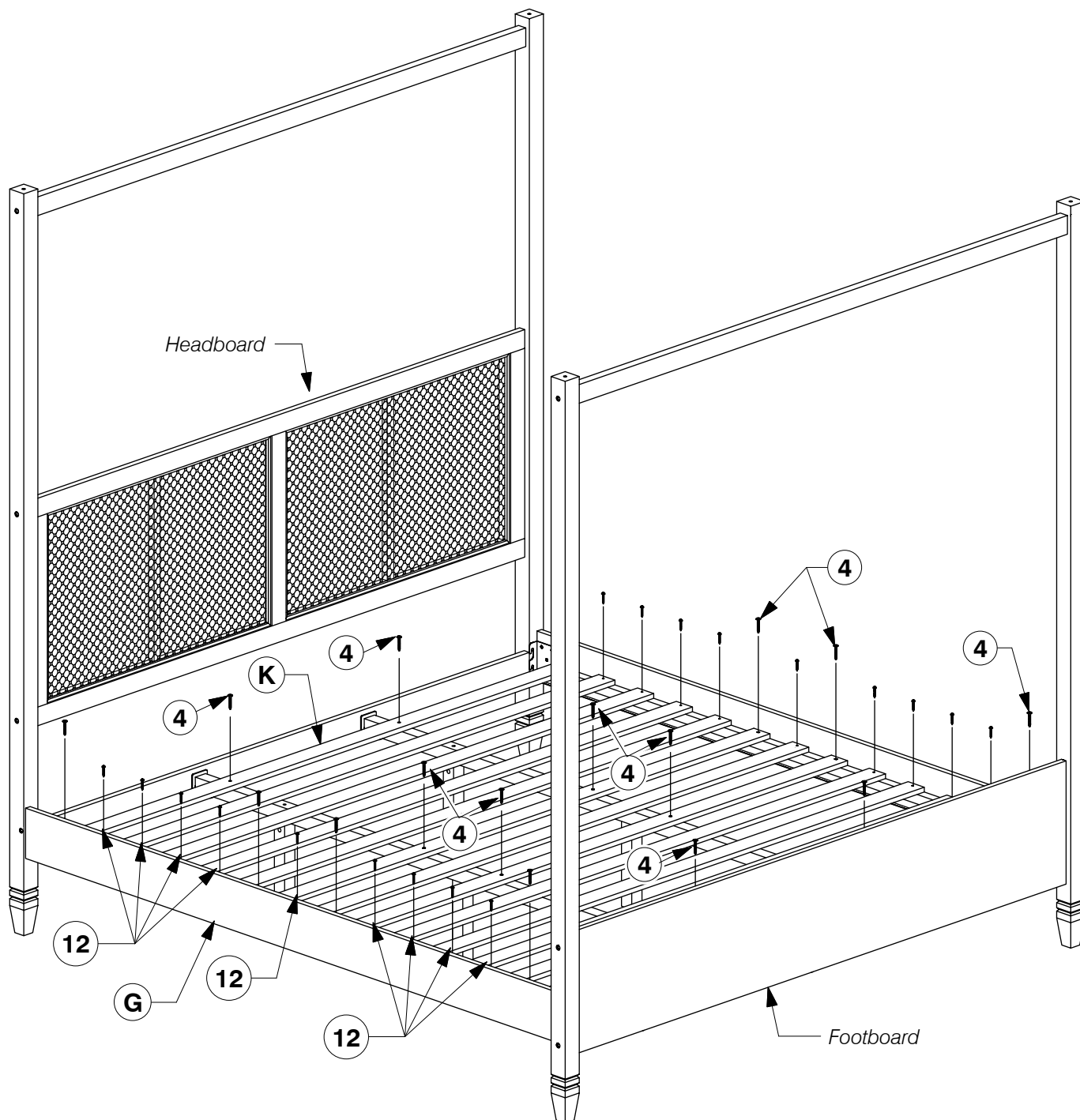


# 0021-3 Canopy King Bed

## Assembly Instructions

WI-0820

- 9** Bolt & screw the Bed Slats (K) to the Side Rail (G).



# 0021-3 Canopy King Bed

## Assembly Instructions

WI-0820

- 10** Fit the Top Bar- Long (F) on top of the Head / Footboard Post.

