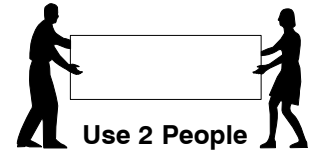
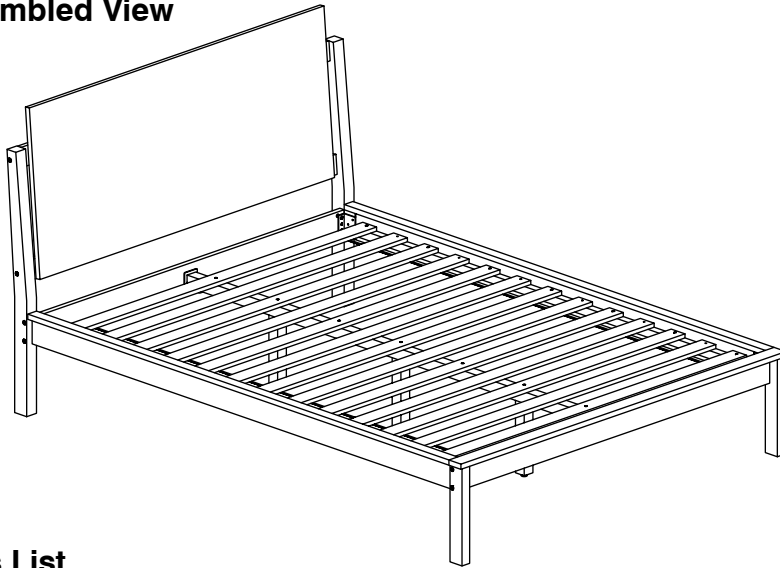


# 0049 Full Bed

## Assembly Instructions

W11-0820

### 1 Assembled View



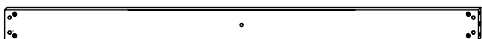
**Note:** Do not assemble using power tools. This can cause the bolts to be overtightened

### 2 Parts List

#### Parts in Box A:



**A** Headboard Panel x 1



**B** Headboard Support x 1



**C** Footboard Panel x 1



**F** Headboard Post (Left Hand) x 1



**G** Headboard Post (Right Hand) x 1



**H** Footboard Post (Left Hand) x 1

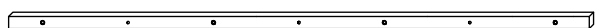


**J** Footboard Post (Right Hand) x 1

#### Parts in Box B:



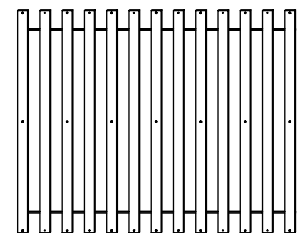
**D** Side Rail x 2



**E** Long Support x 1



**K** Support Leg x 3



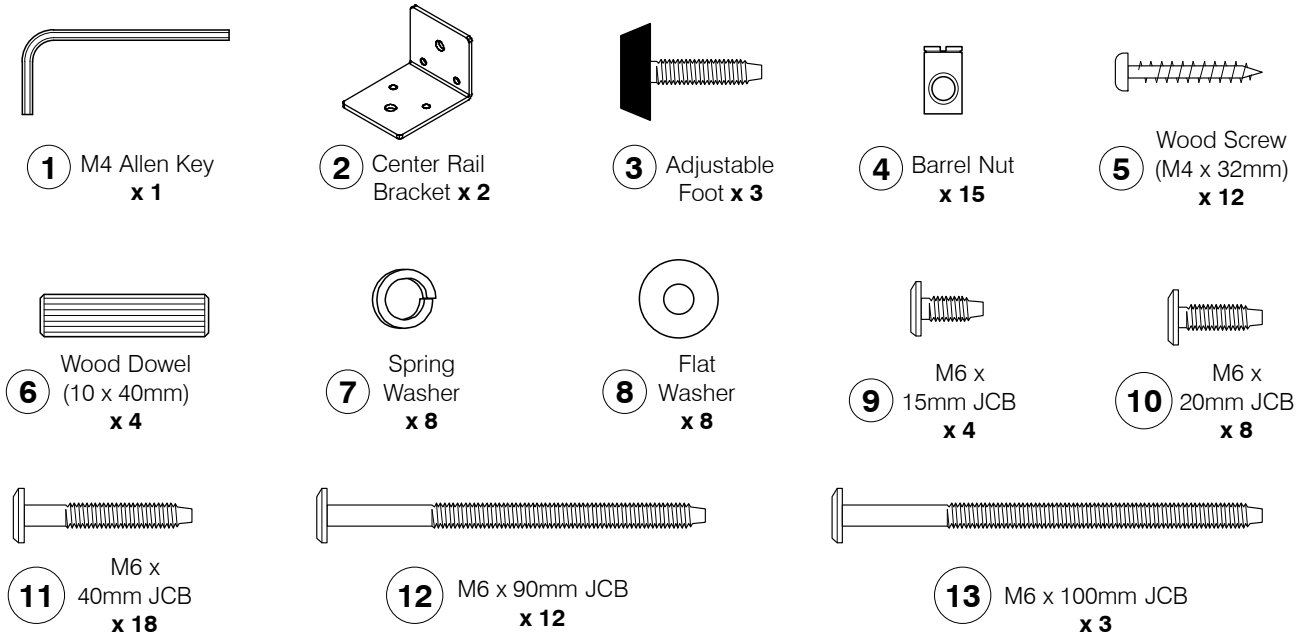
**L** Set of Bed Slats x 1

# 0049 Full Bed

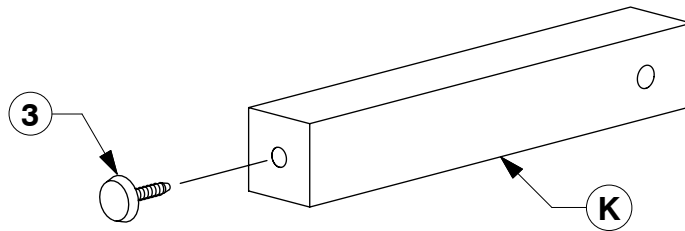
## Assembly Instructions

WII-0820

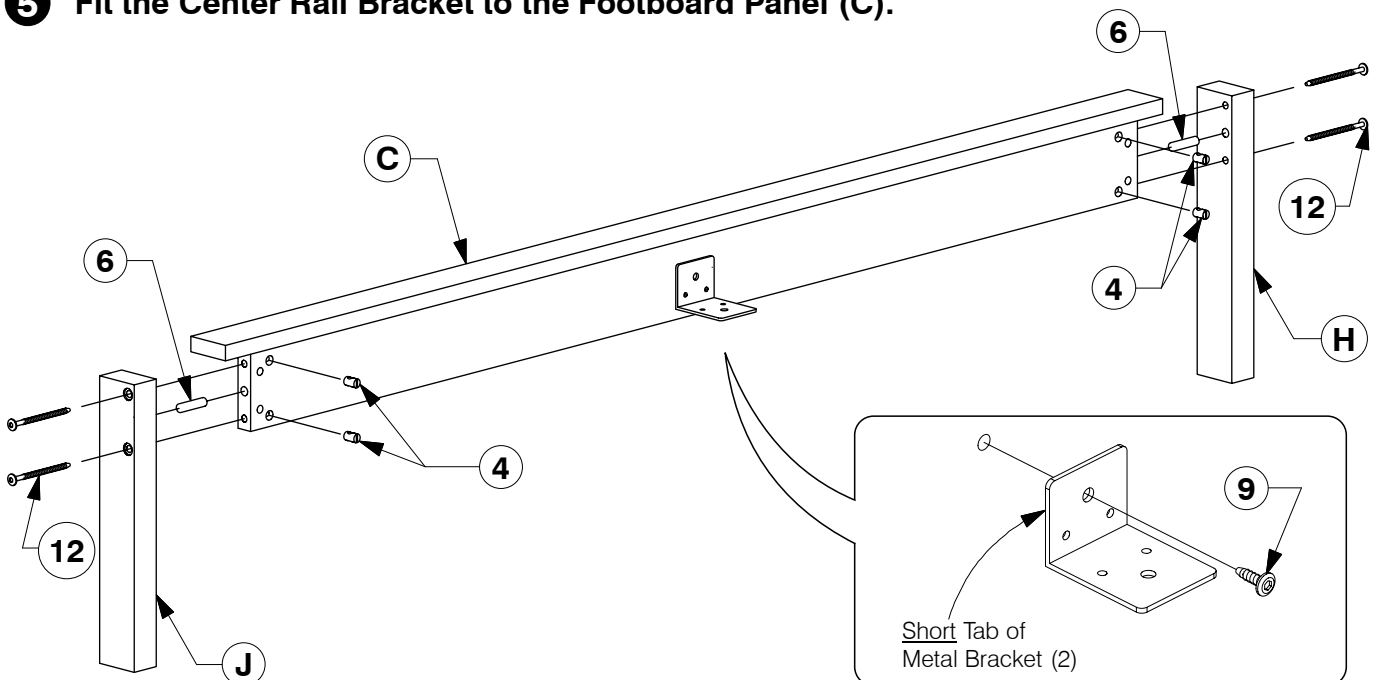
### 3 Hardware List



### 4 Fix the Adjustable foot to the bottom of the Support Leg (K).



### 5 Fit the Center Rail Bracket to the Footboard Panel (C).

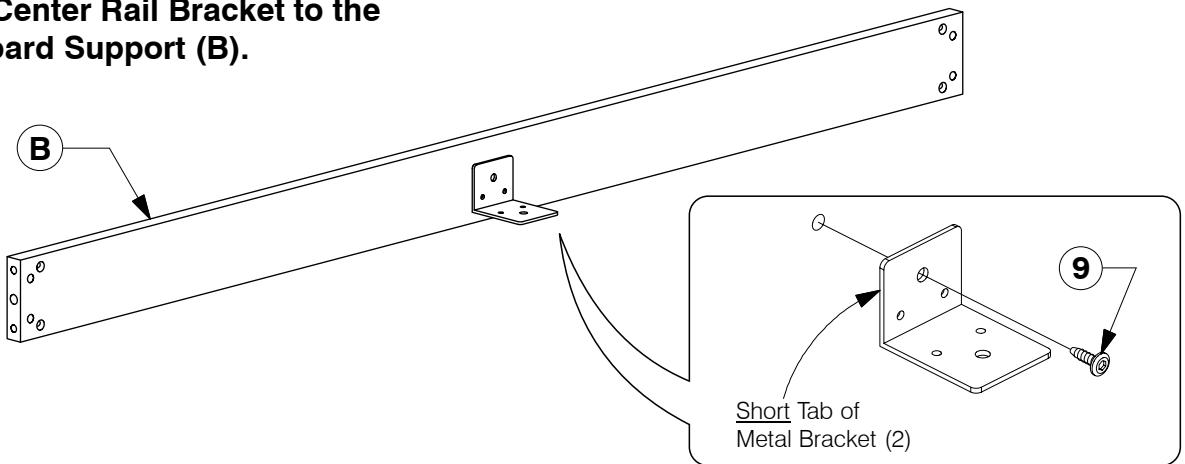


# 0049 Full Bed

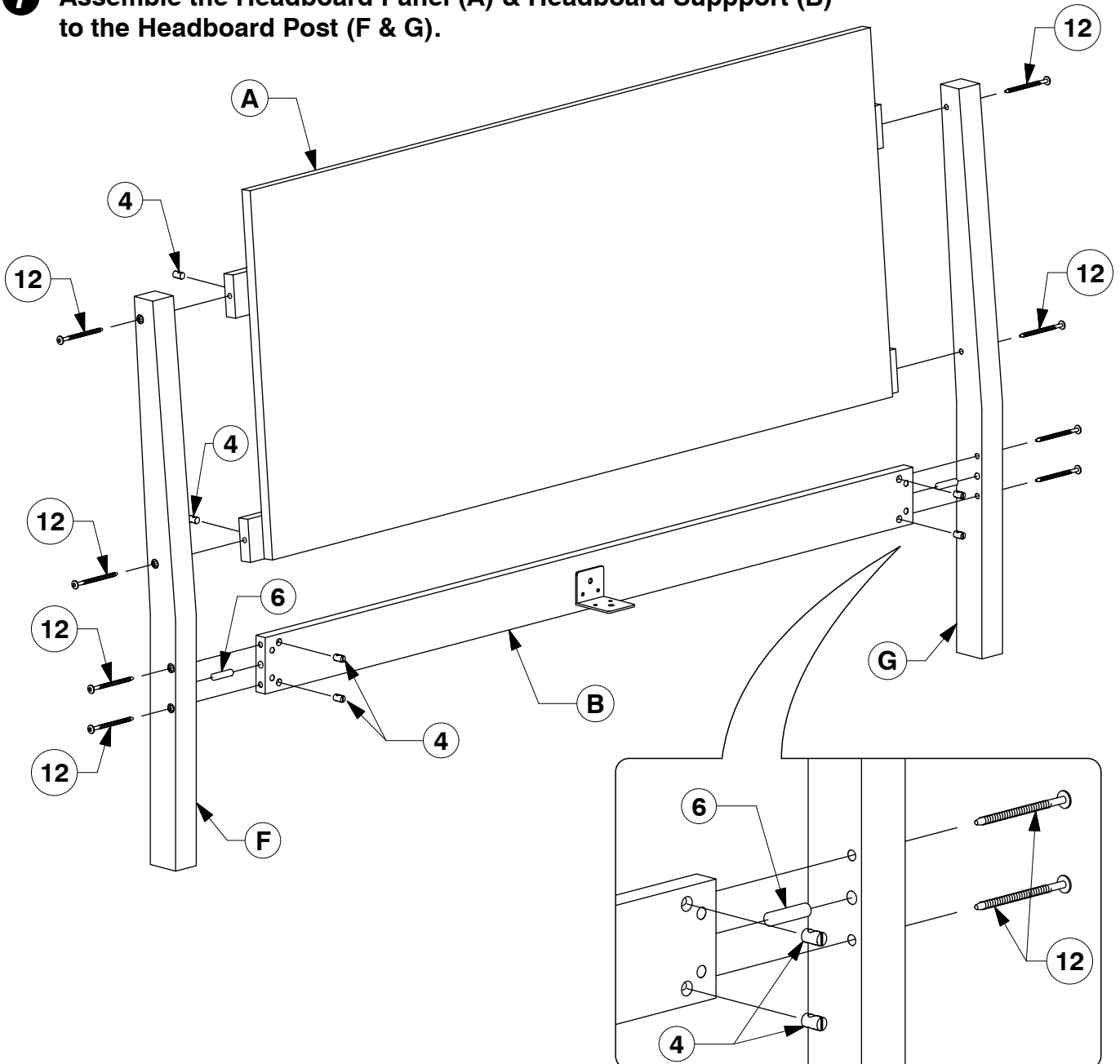
## Assembly Instructions

W11-0820

- 6** Fit the Center Rail Bracket to the Headboard Support (B).



- 7** Assemble the Headboard Panel (A) & Headboard Support (B) to the Headboard Post (F & G).

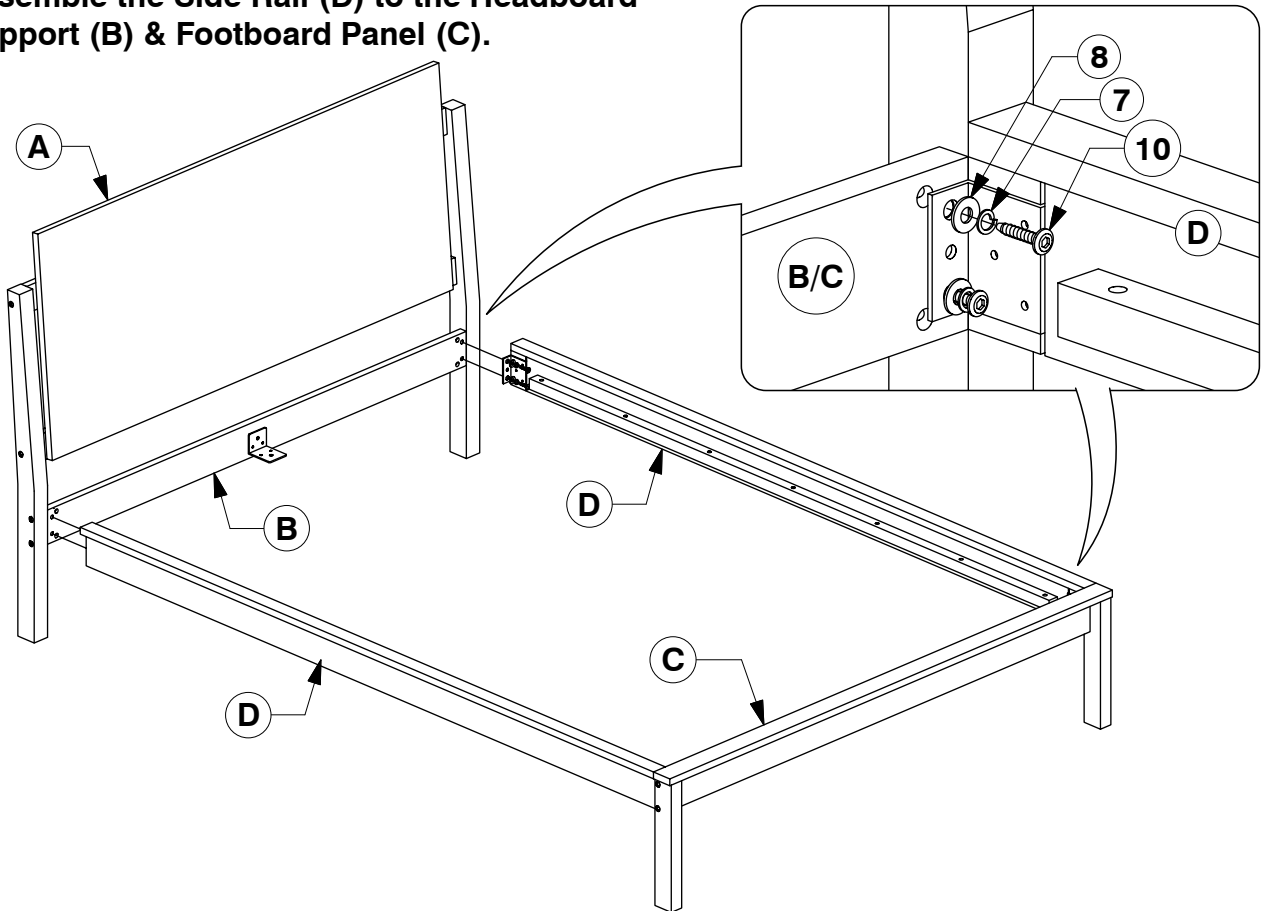


# 0049 Full Bed

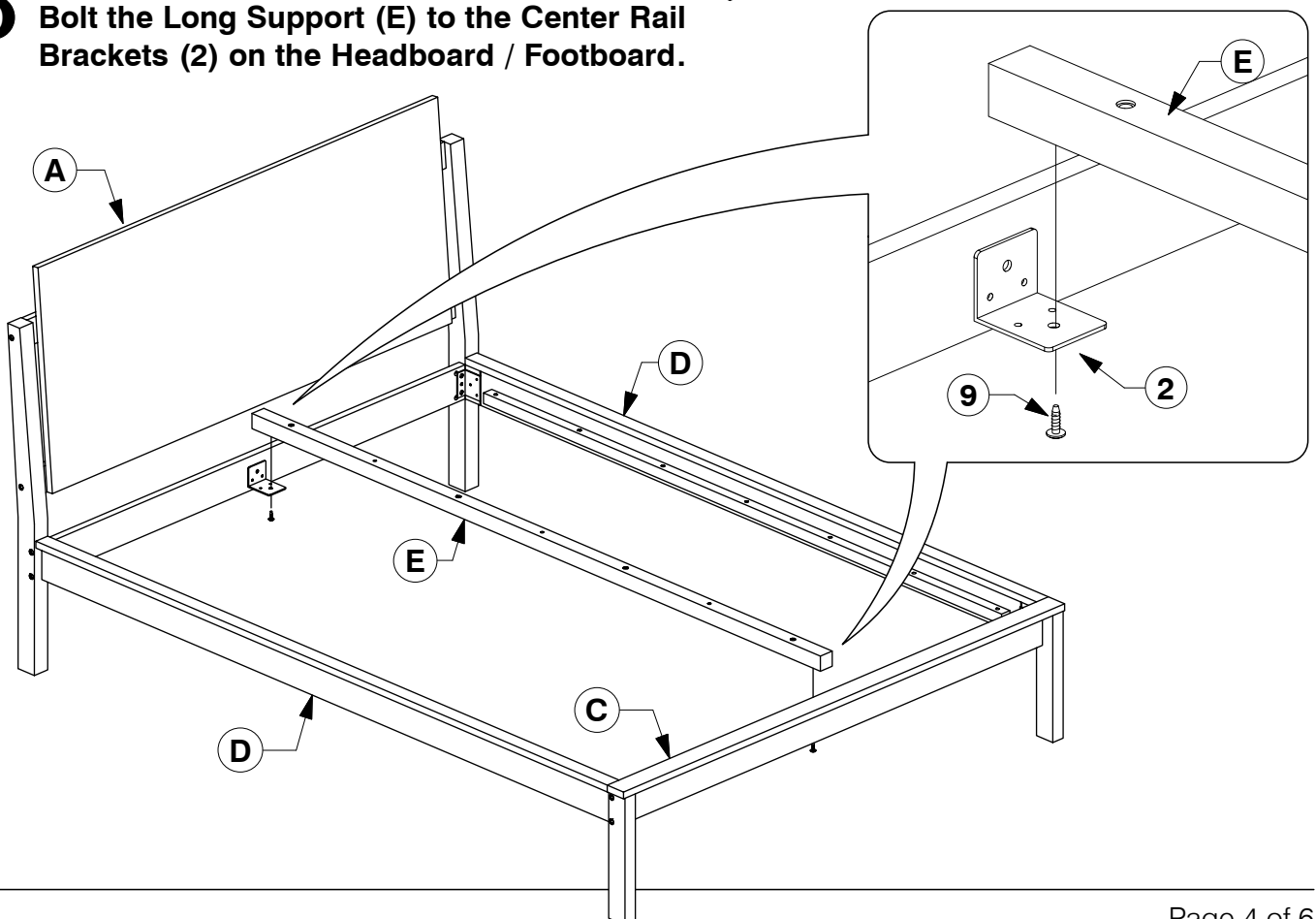
## Assembly Instructions

W11-0820

- 8 Assemble the Side Rail (D) to the Headboard Support (B) & Footboard Panel (C).**



- 9 Bolt the Long Support (E) to the Center Rail Brackets (2) on the Headboard / Footboard.**

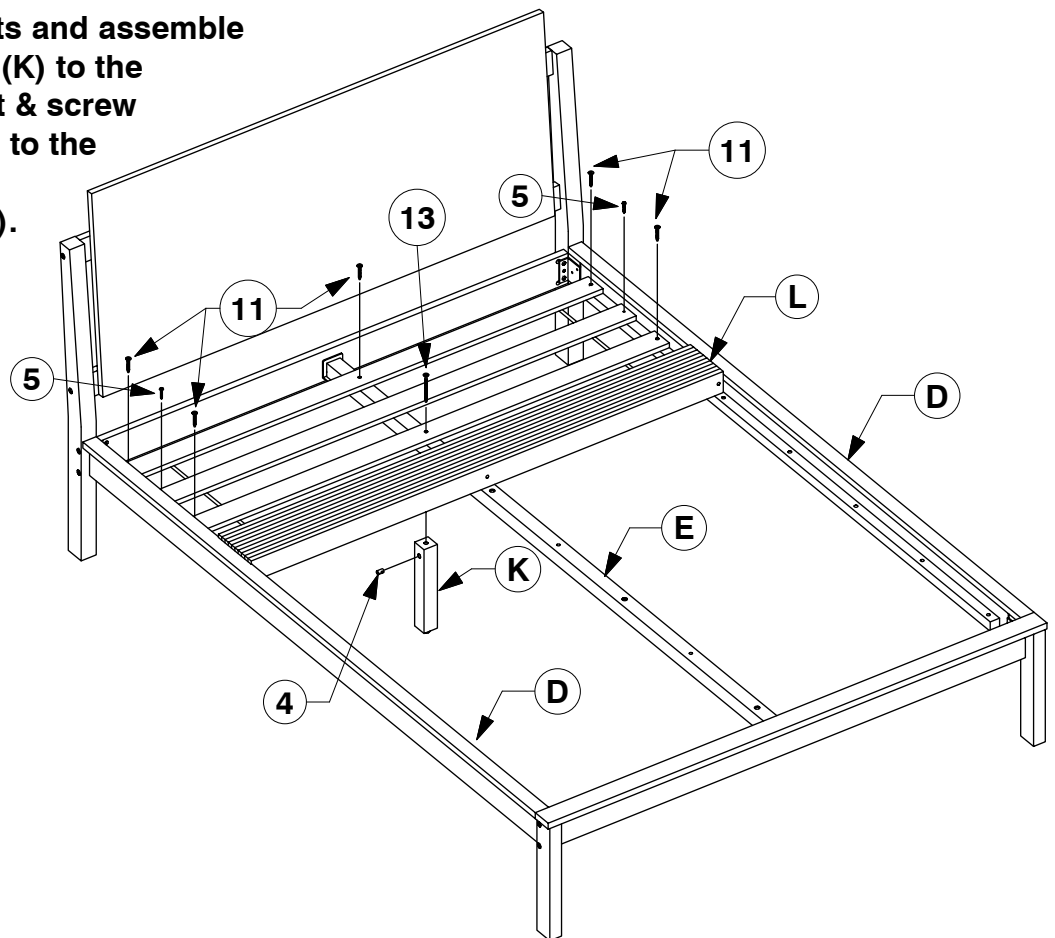


# 0049 Full Bed

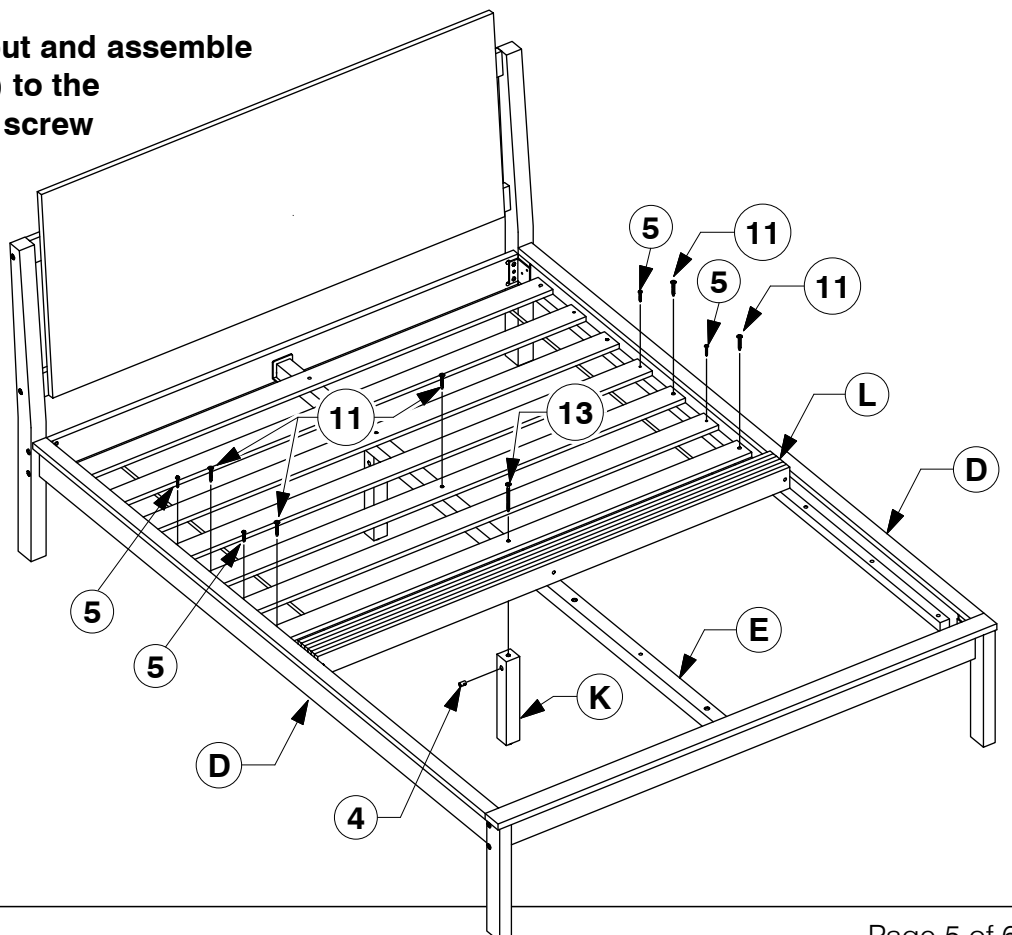
## Assembly Instructions

W11-0820

- 10** Fit the first 3 Slats and assemble the Support Leg (K) to the Bed Slat (L). Bolt & screw the Bed Slats (L) to the Side Rail (D) & Long Support (E).



- 11** Fit the other Slats out and assemble the Support Leg (K) to the Bed Slat (L). Bolt & screw the Bed Slats (L) to the Side Rail (D) & Long Support (E).

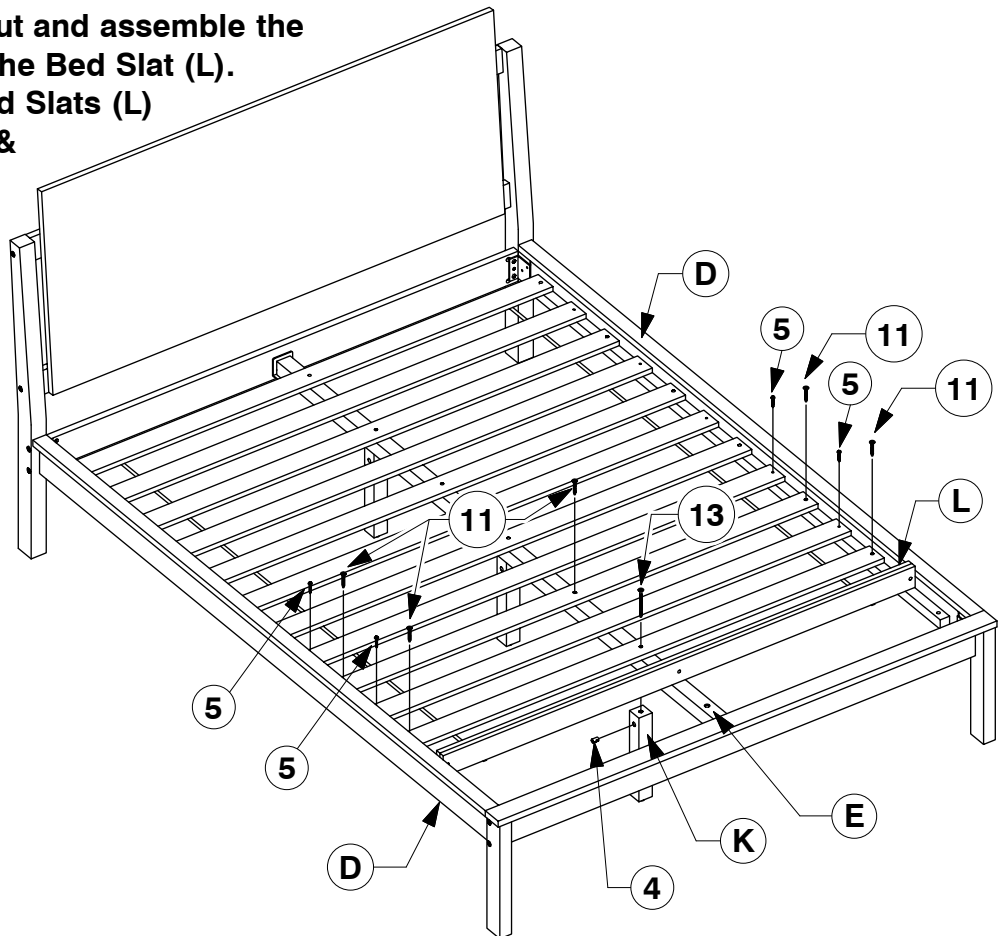


# 0049 Full Bed

## Assembly Instructions

W11-0820

- 12** Fit the other Slats out and assemble the Support Leg (K) to the Bed Slat (L). Bolt & screw the Bed Slats (L) to the Side Rail (D) & Long Support (E).



- 13** Bolt & screw the remaining Bed Slats (L) to the Side Rail (D).

