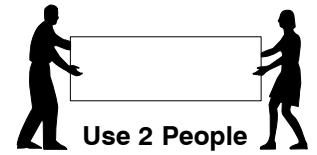
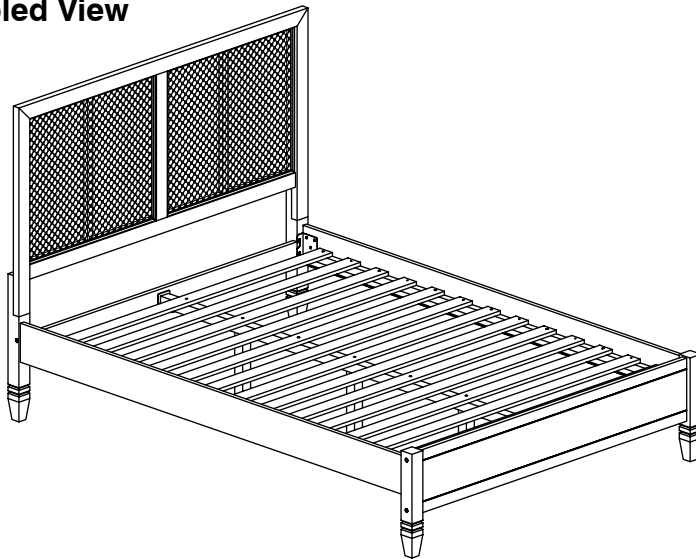


0021-4 Full Bed

Assembly Instructions

WI-0820

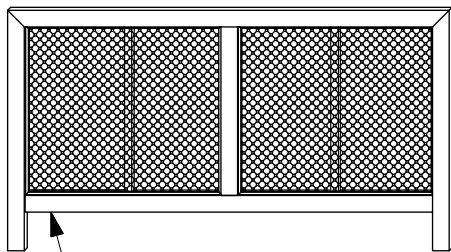
1 Assembled View



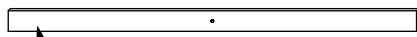
Note: Do not assemble using power tools. This can cause the bolts to be overtightened

2 Parts List

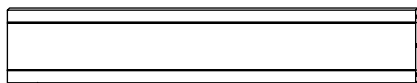
Parts in Box A:



A Headboard Panel x 1



B Headboard Support x 1



C Footboard Panel x 1



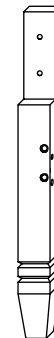
D Footboard Support Bar x 1



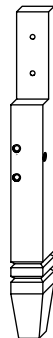
E Footboard Post (Left hand) x 1



F Footboard Post (Right hand) x 1

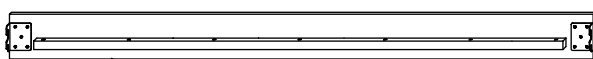


G Headboard Post (Left hand) x 1

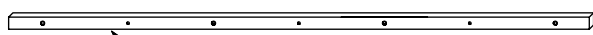


H Headboard Post (Right hand) x 1

Parts in Box B:



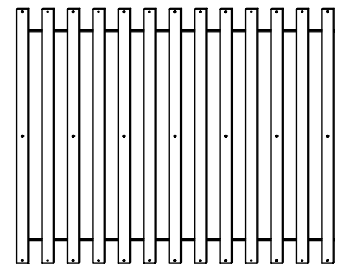
J Side Rail x 2



K Long Support x 1



L Support Leg x 3



M Set of Bed Slats x 1

0021-4 Full Bed

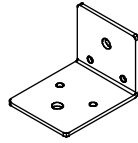
Assembly Instructions

WI-0820

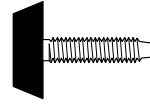
3 Hardware List



1 M4 Allen Key
x 1



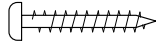
2 Center Rail
Bracket x 2



3 Adjustable
Foot x 3



4 Barrel Nut
x 9



5 Wood Screw
(M4 x 32mm)
x 12



6 Wood Dowel
(10 x 40mm)
x 4



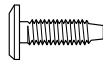
7 Spring
Washer
x 12



8 Flat
Washer
x 12



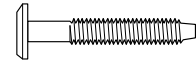
9 M6 x
15mm JCB
x 4



10 M6 x
20mm JCB
x 8



11 M6 x
30mm JCB
x 2



12 M6 x
40mm JCB
x 22

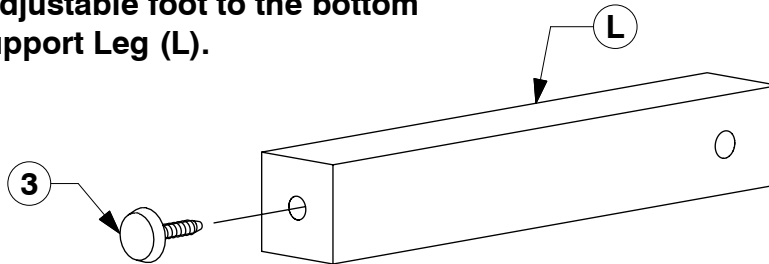


13 M6 x 90mm JCB
x 6



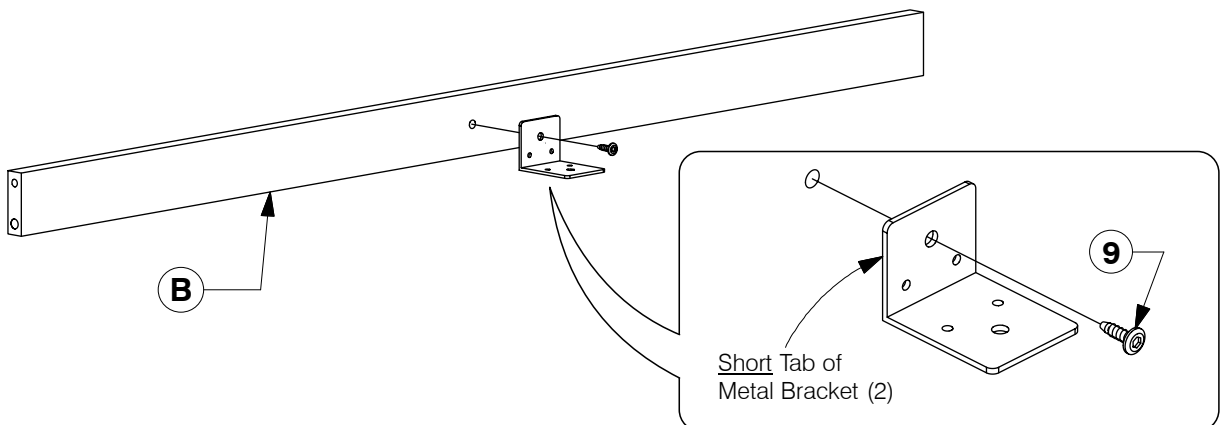
14 M6 x 100mm JCB
x 3

4 Fix the Adjustable foot to the bottom of the Support Leg (L).



x3

5 Fit the Center Rail Bracket to the Headboard Support (B).

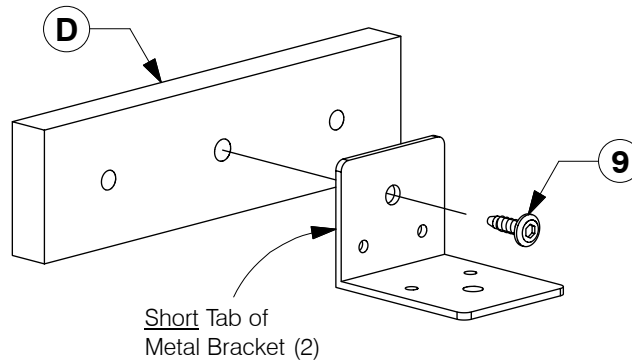


0021-4 Full Bed

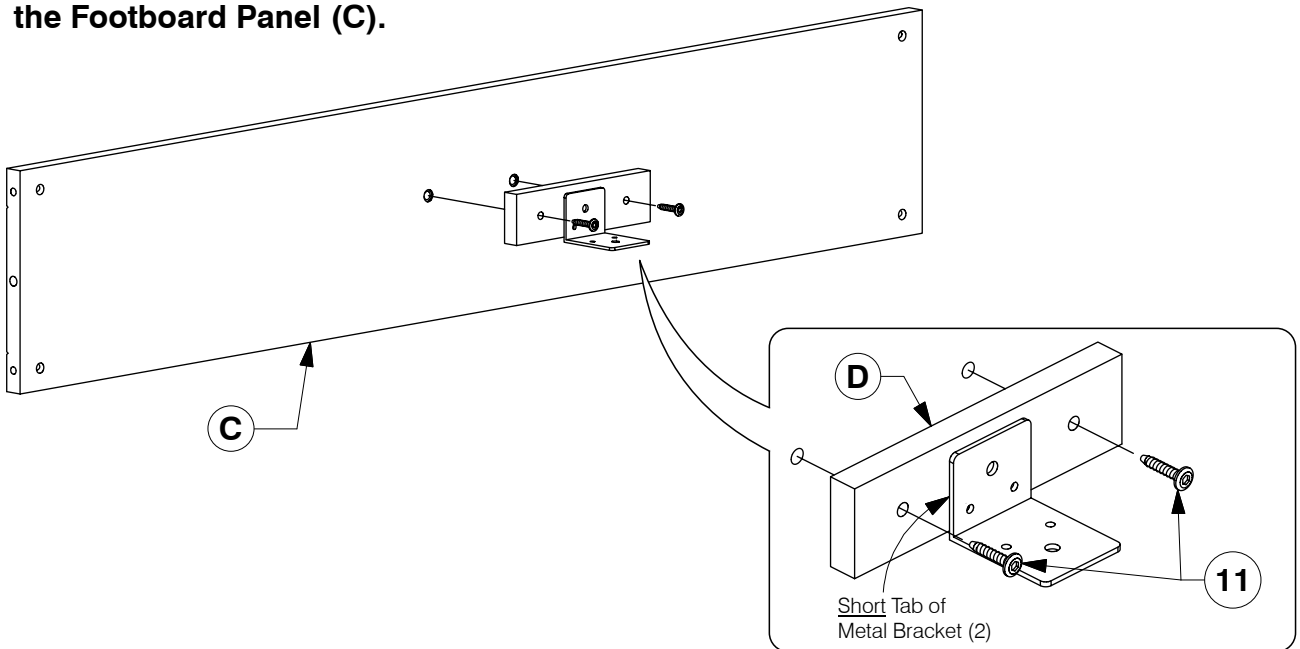
Assembly Instructions

WI-0820

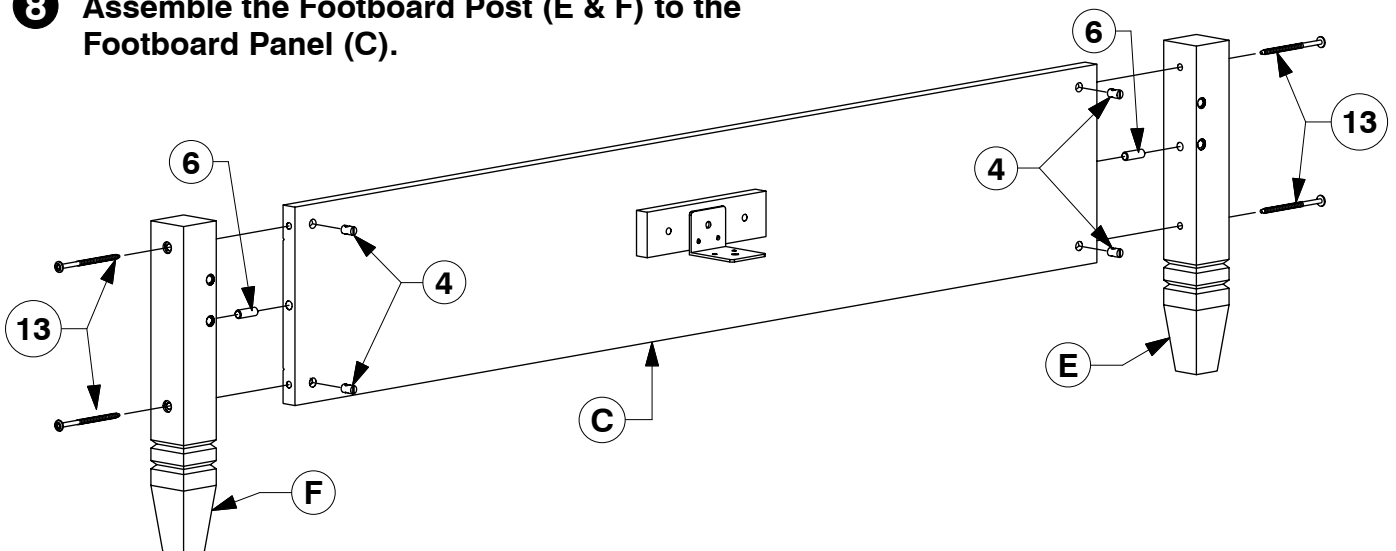
- 6** Fit the Center Rail Bracket to the Footboard Support Bar (D).



- 7** Fit the Footboard Support Bar (D) to the Footboard Panel (C).



- 8** Assemble the Footboard Post (E & F) to the Footboard Panel (C).

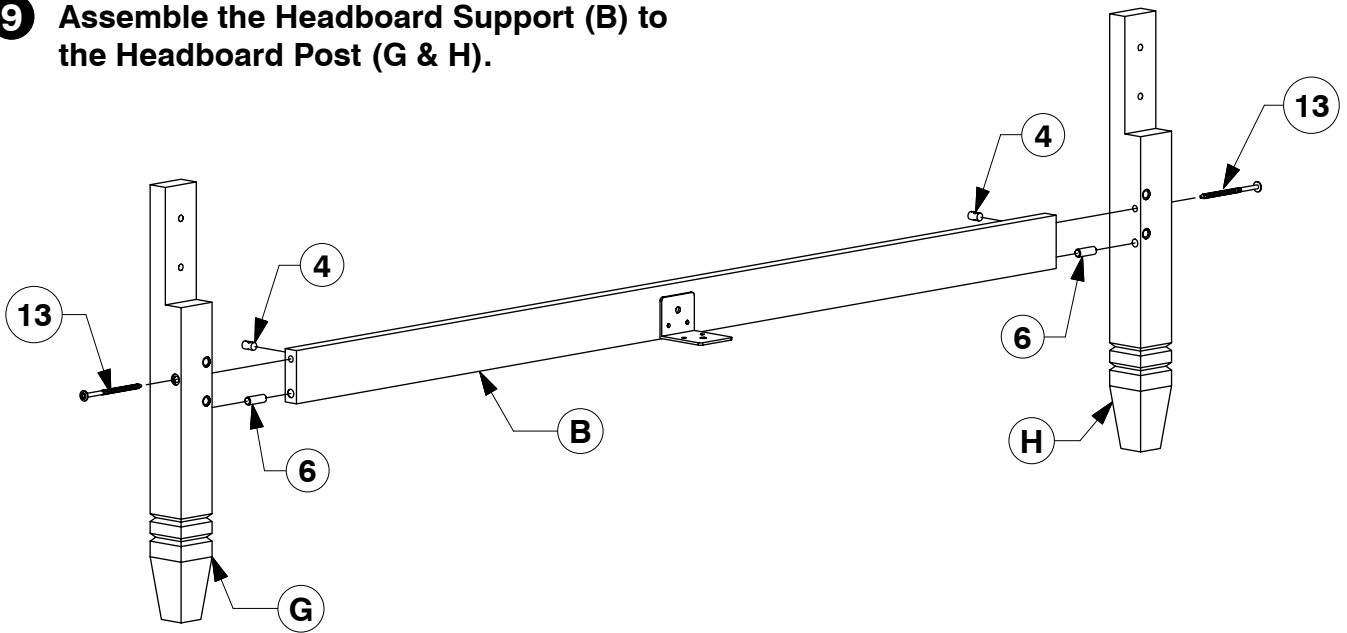


0021-4 Full Bed

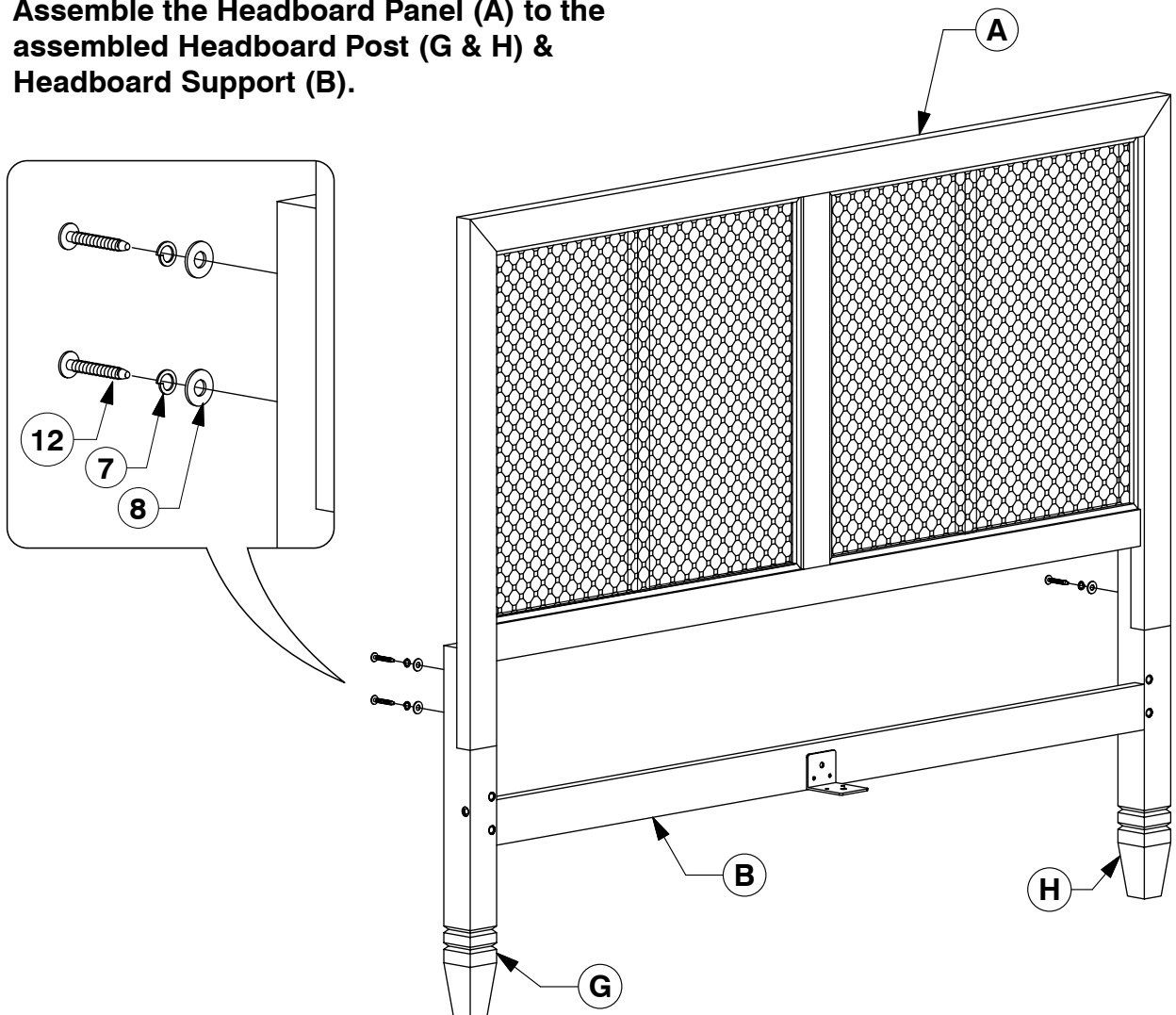
Assembly Instructions

WI-0820

- 9** Assemble the Headboard Support (B) to the Headboard Post (G & H).



- 10** Assemble the Headboard Panel (A) to the assembled Headboard Post (G & H) & Headboard Support (B).

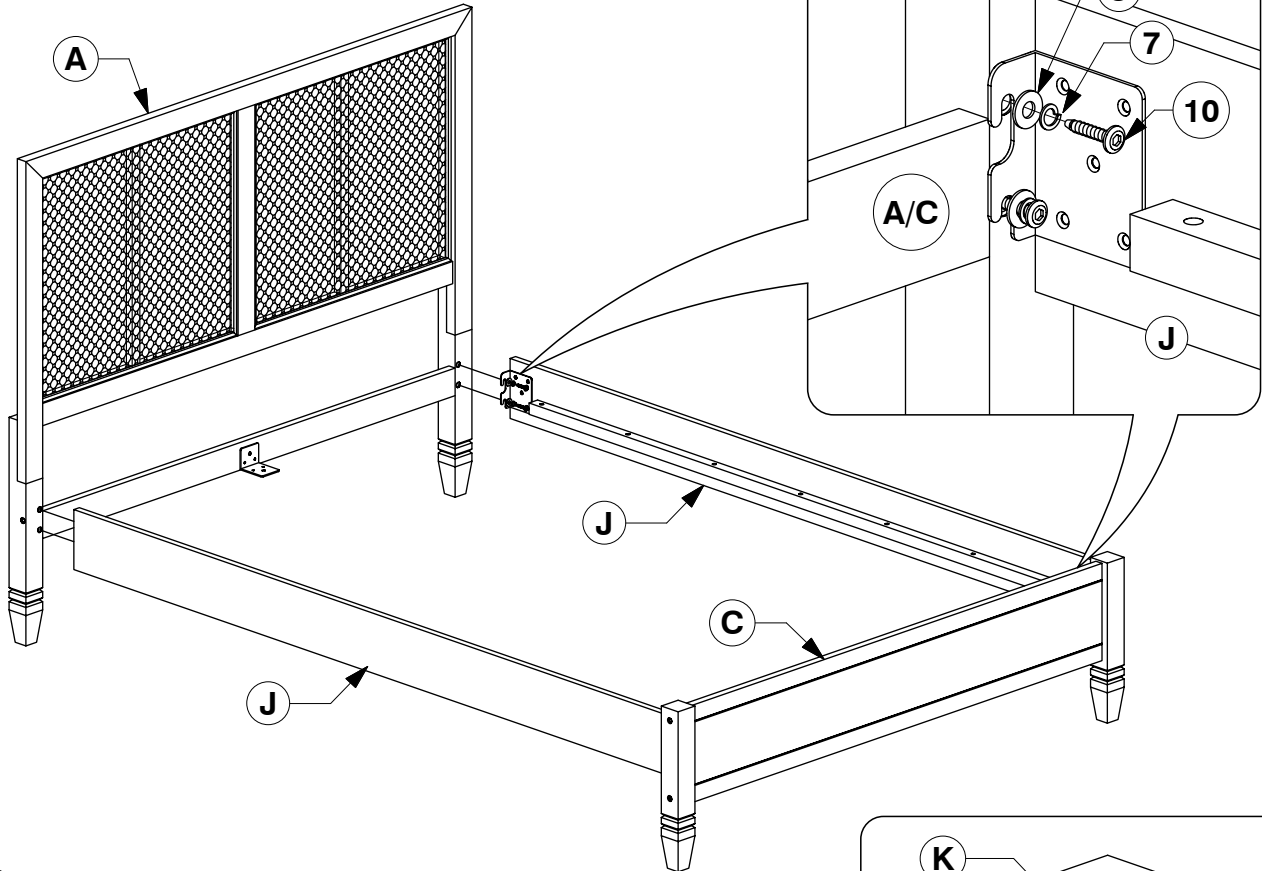


0021-4 Full Bed

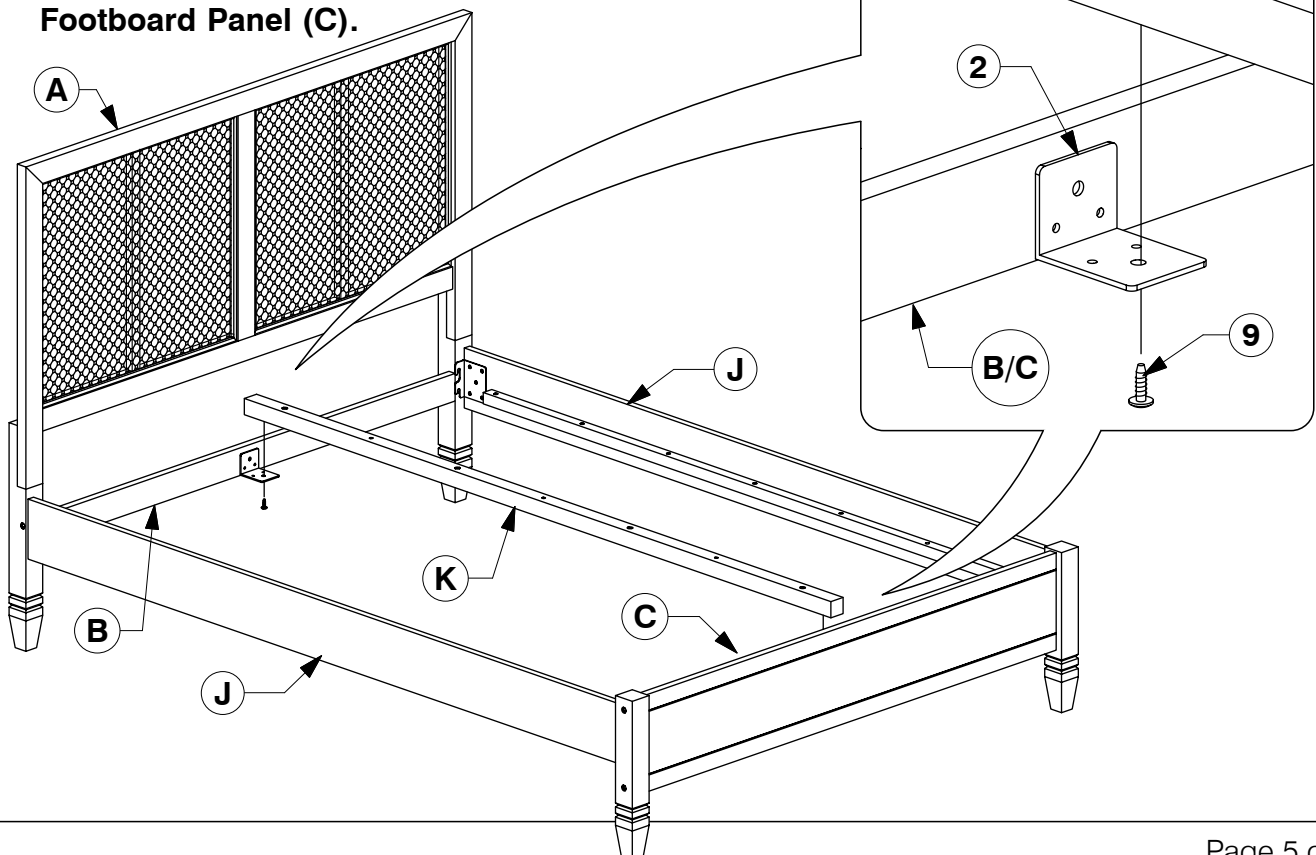
Assembly Instructions

WI-0820

- 11** Assemble the Side Rail (J) to the Headboard & Footboard Panel (A & C).



- 12** Bolt the Long Support (K) to the Center Rail Brackets on the Headboard Support (B) and Footboard Panel (C).

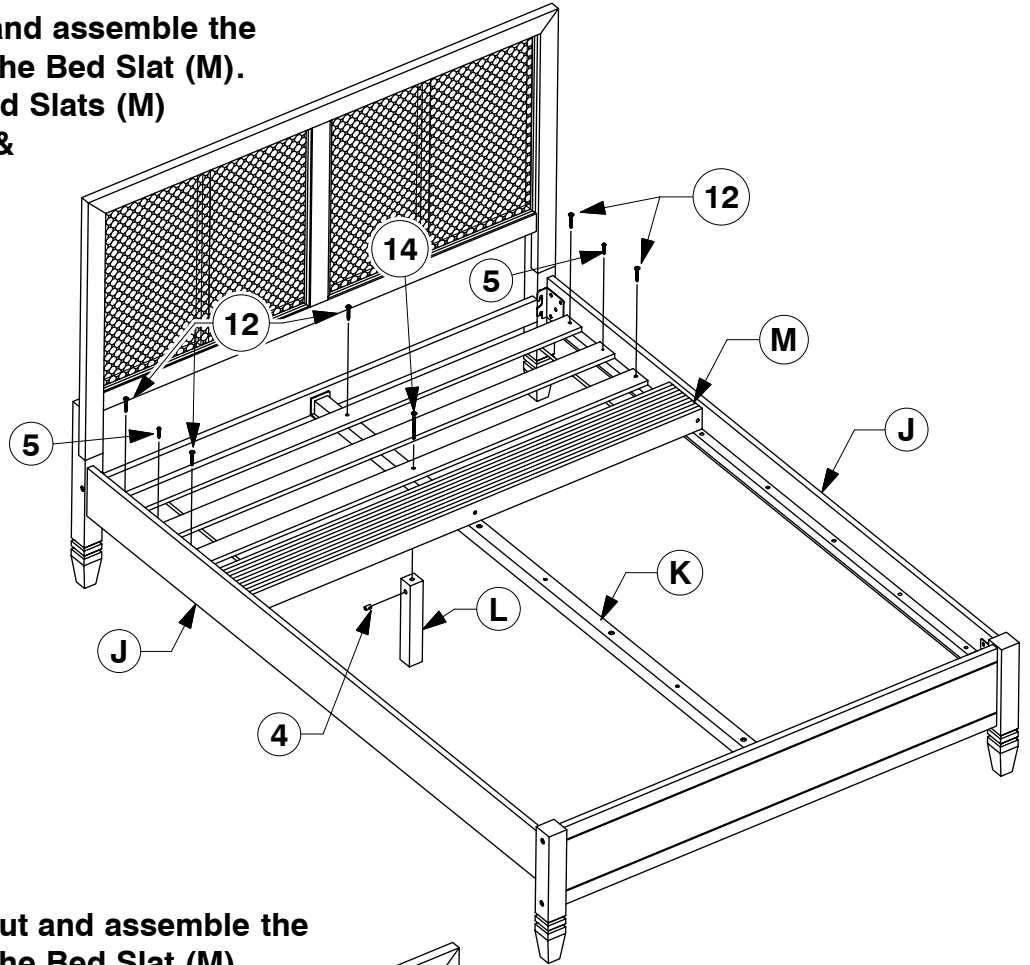


0021-4 Full Bed

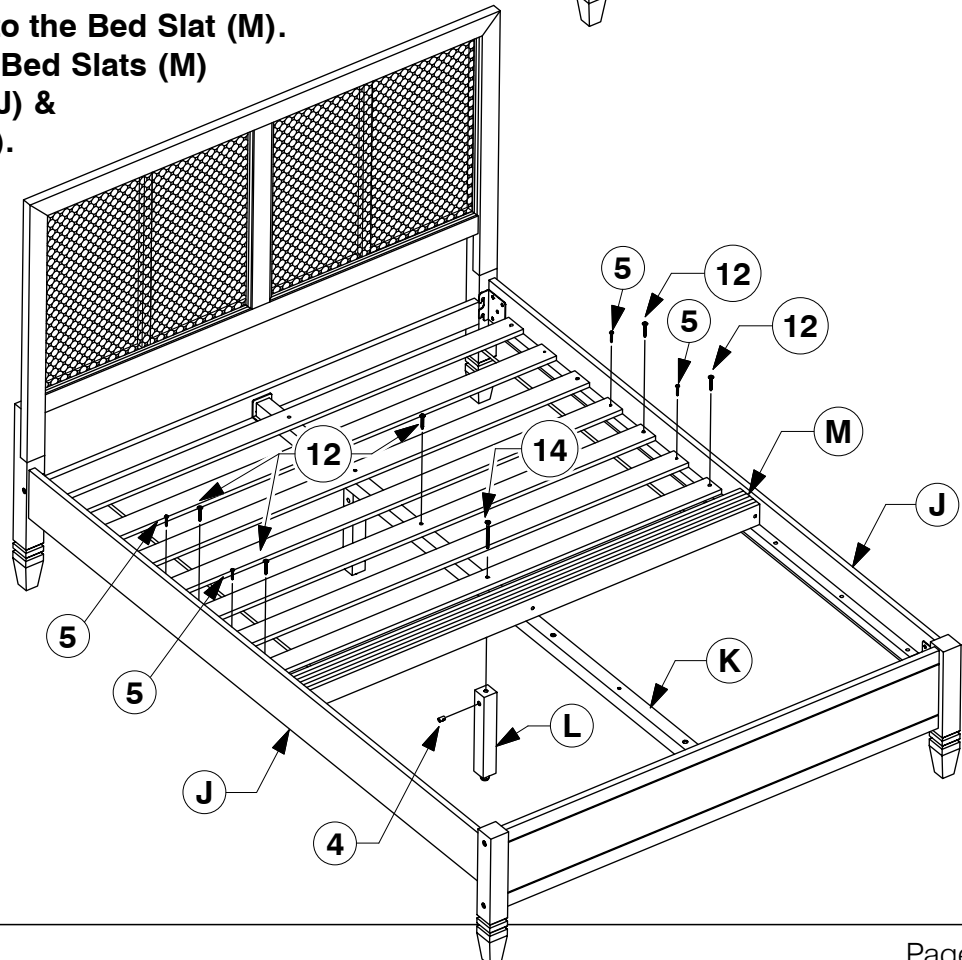
Assembly Instructions

WI-0820

- 13** Fit the first 3 Slats and assemble the Support Leg (L) to the Bed Slat (M). Bolt & screw the Bed Slats (M) to the Side Rail (J) & Long Support (K).



- 14** Fit the other Slats out and assemble the Support Leg (L) to the Bed Slat (M). Bolt & screw the Bed Slats (M) to the Side Rail (J) & Long Support (K).

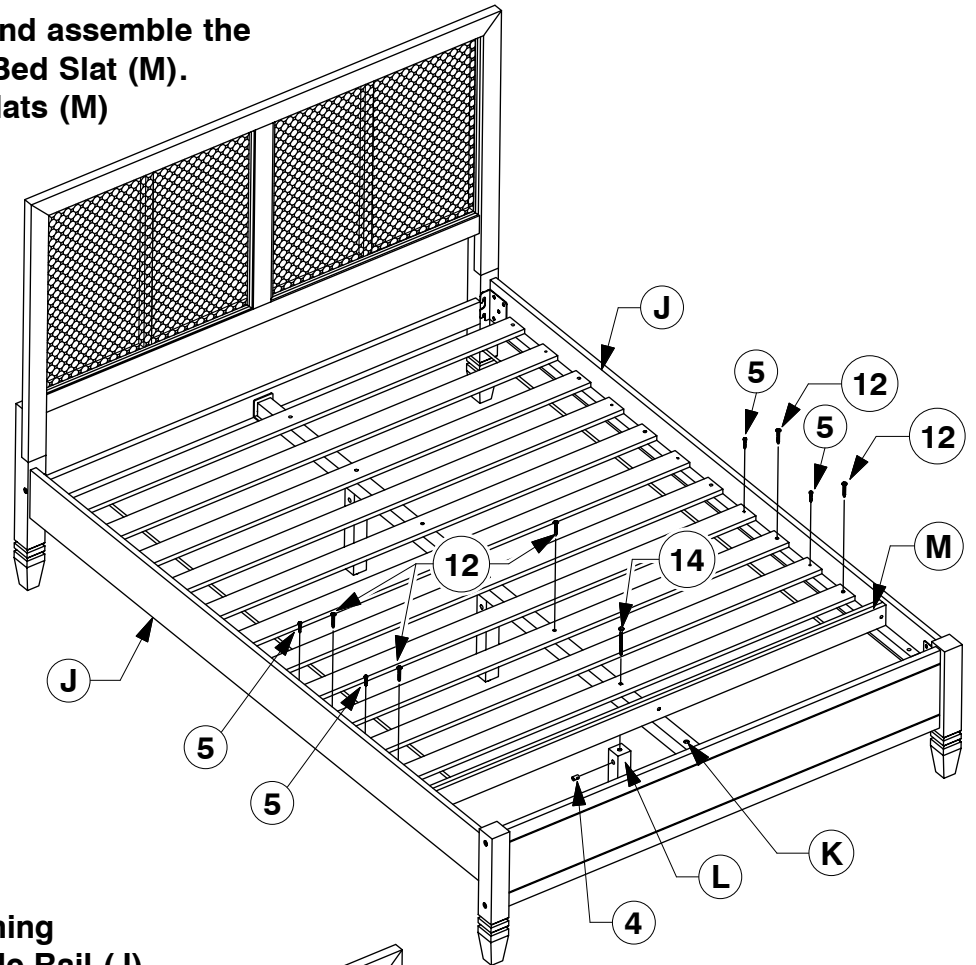


0021-4 Full Bed

Assembly Instructions

WI-0820

- 15** Fit the other Slats out and assemble the Support Leg (L) to the Bed Slat (M). Bolt & screw the Bed Slats (M) to the Side Rail (J) & Long Support (K).



- 16** Bolt & screw the remaining Bed Slats (M) to the Side Rail (J).

