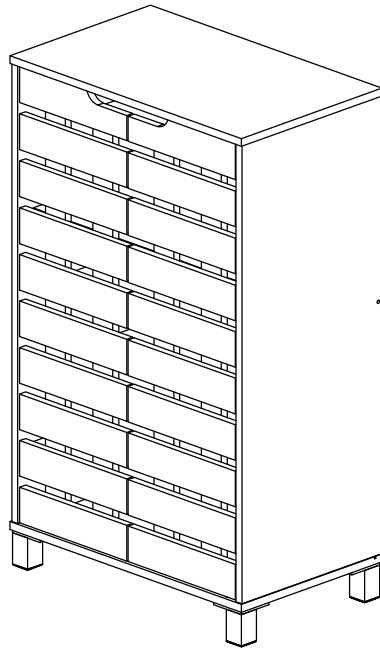
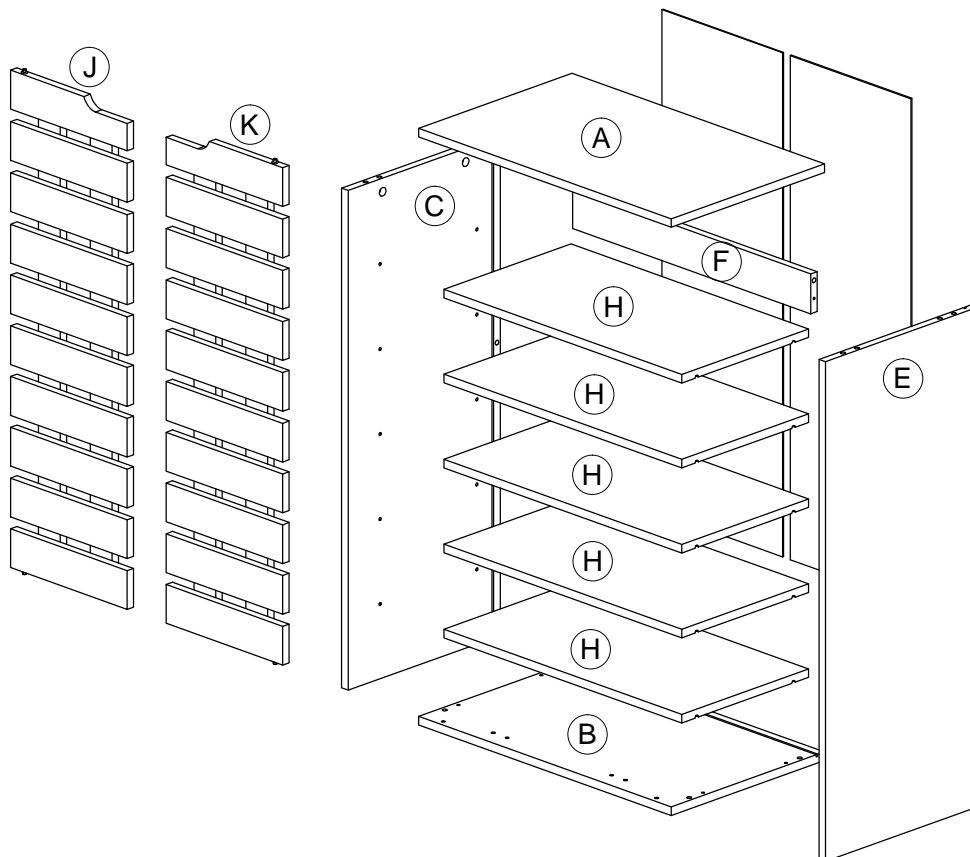


Assembly Instruction

Model: WI11027



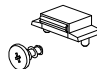
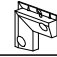

Part List







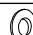
Assembly Instruction

Hardware List

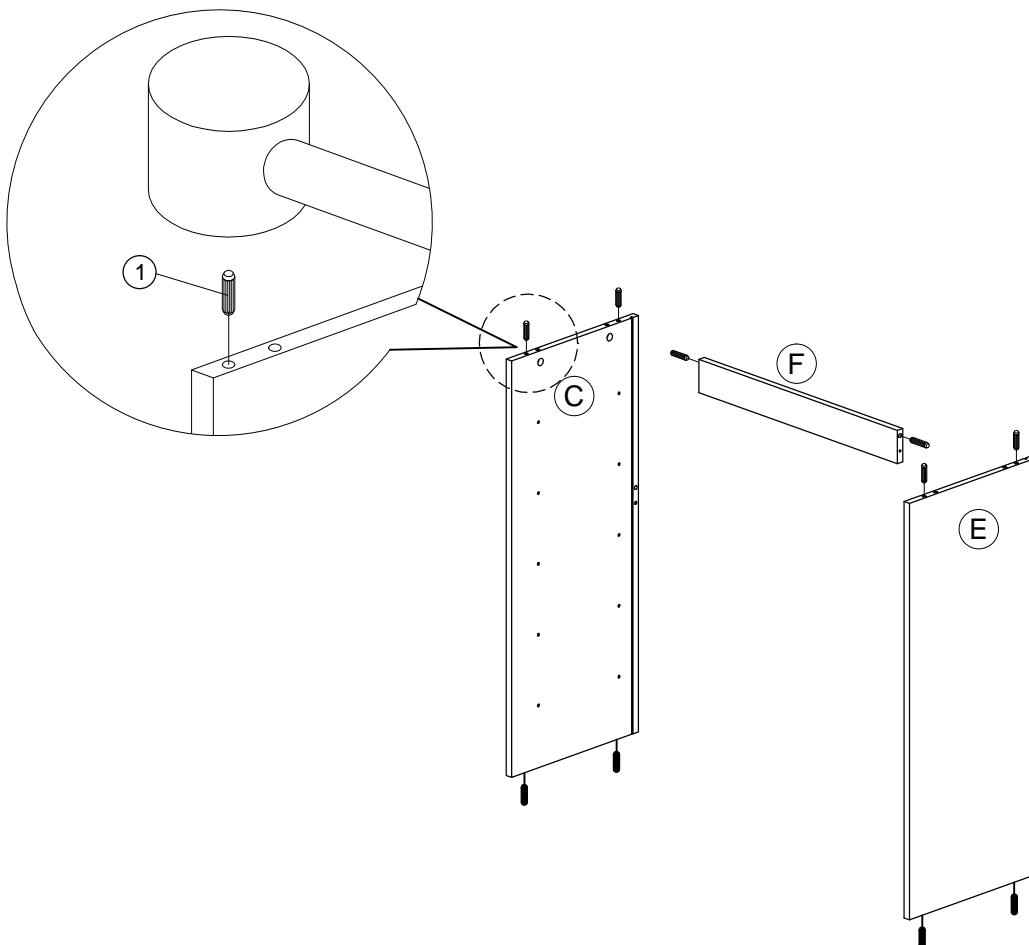
No.	SHAPE	DESCRIPTION	Qty.
1		8x25mm Wood Dowel	10Pcs
2		15MM Myfix Minifix	4Sets
3		M3x16mm Screw	8Pcs
4		M5x38mm Screw	6Pcs
5		M3.5x15mm Screw	12Pcs
6		Shelf Support	20Pcs
7		15mm Minifix Cap	4Pcs
8		Screw Cap	2Pcs
9		Door Support Metal	4Pcs

10		Brown Magnet 2 Pin <i>Flat Head Tapping Screw M6x10mm ZB</i>	4Sets
11		Z Bracket (Big)	4Pcs
12		PVC Sofa leg (H70mm)	4Pcs

Packing Tipping Restraint

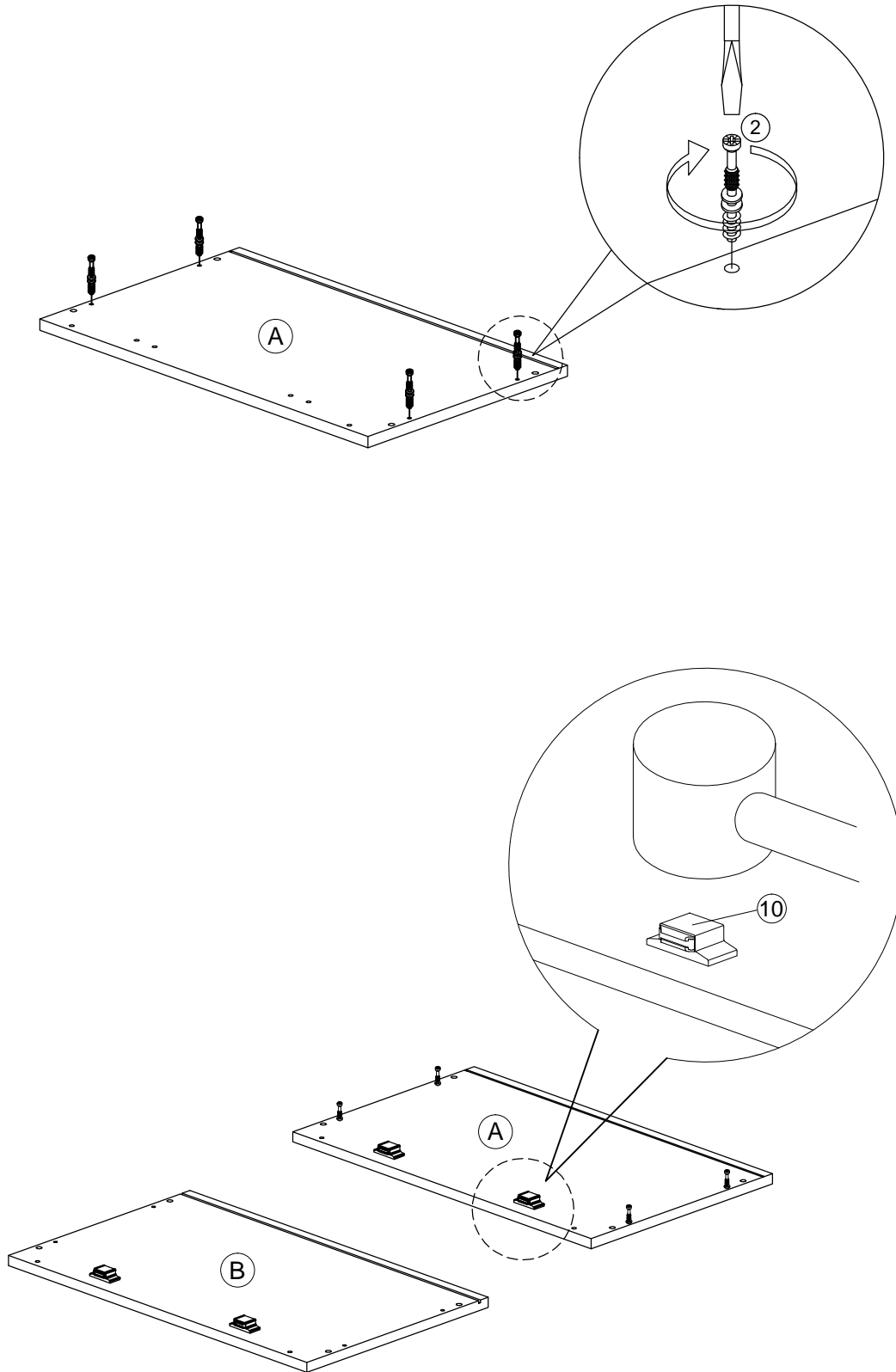
13		M3.5x15mm Screw	2Pcs
14		Wall Plug	2Pcs
15		M4x30mm Screw	2Pcs
16		Safety Strap	2Pcs
17		Flat Washer 6x19x2mm	4Pcs

STEP 1



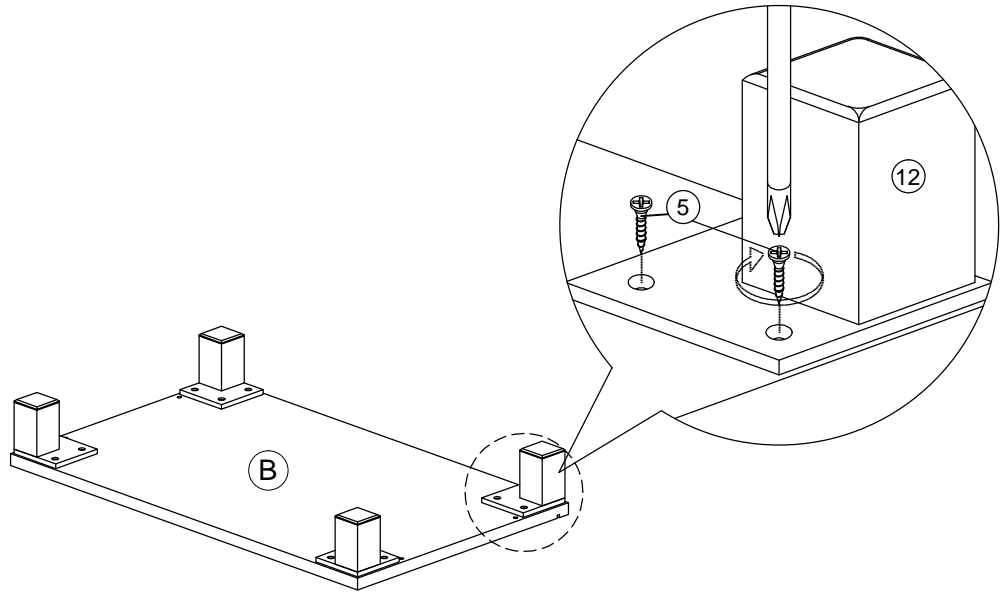
Assembly Instruction

STEP 2

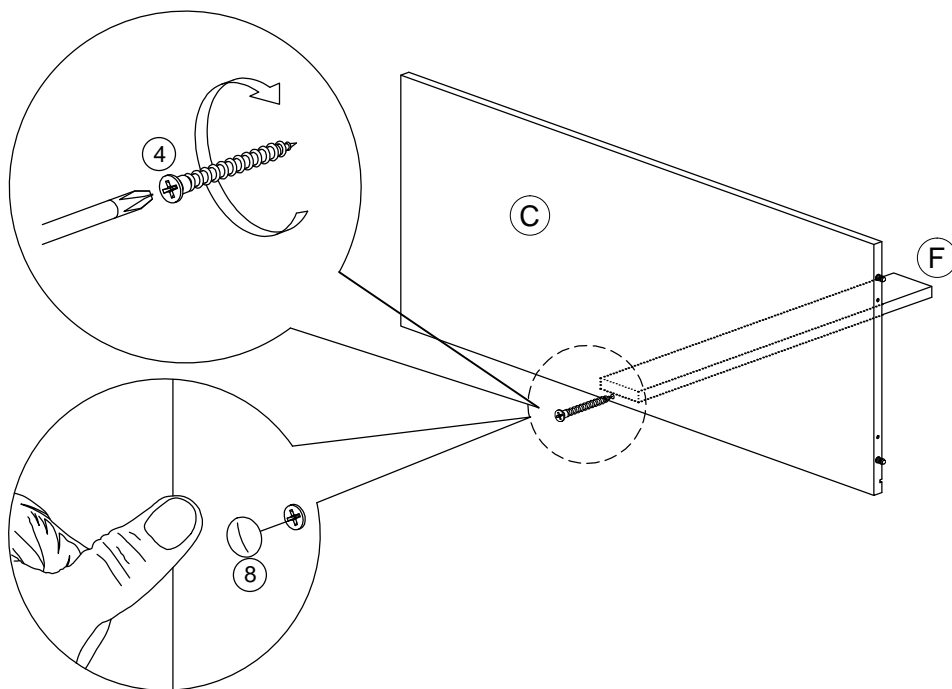


Assembly Instruction

STEP 3

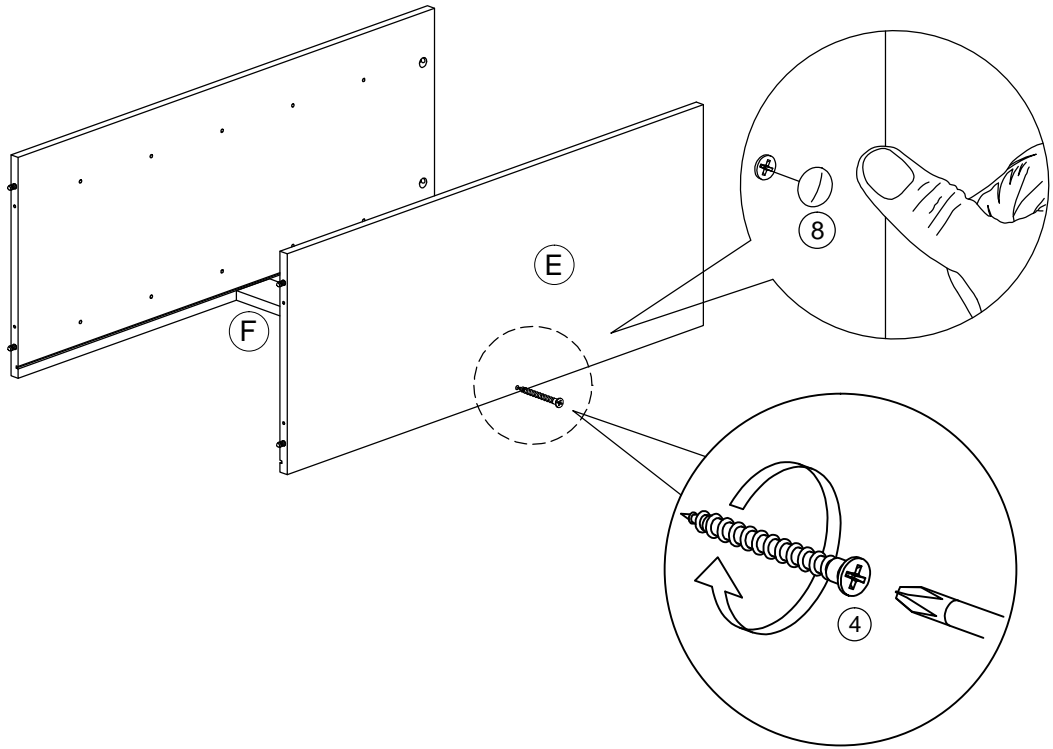


STEP 4

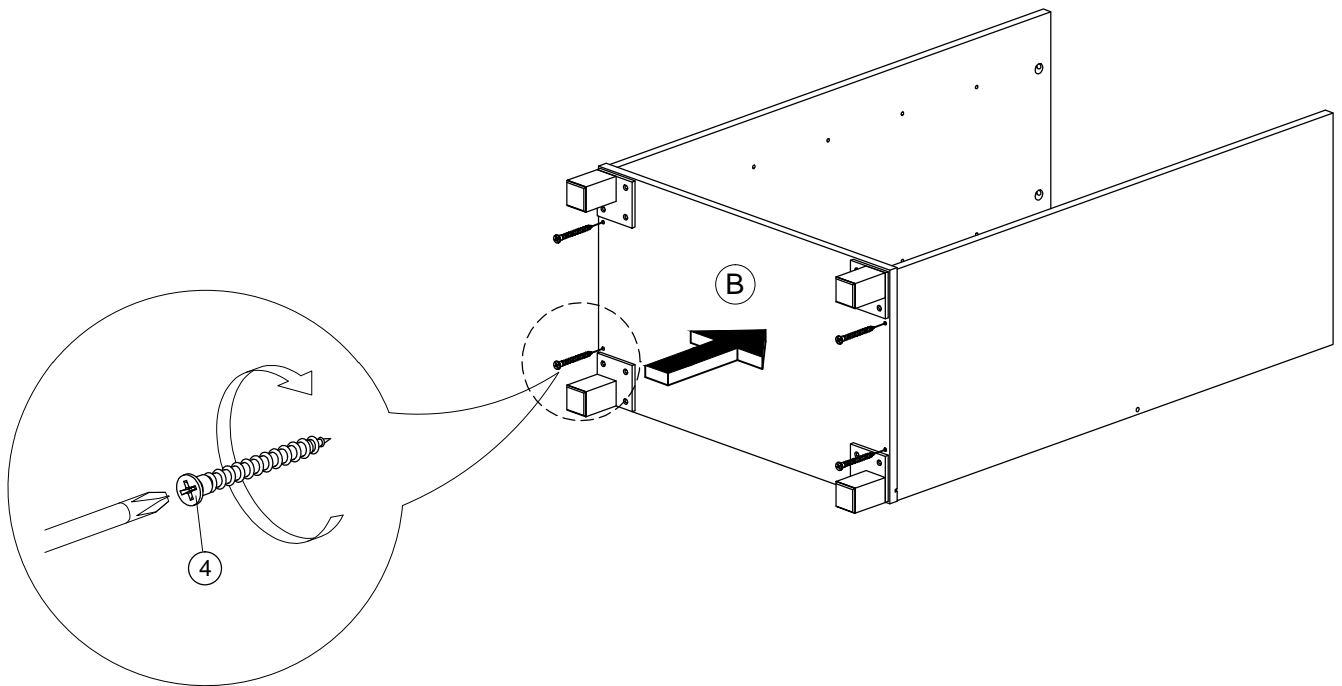


Assembly Instruction

STEP 5

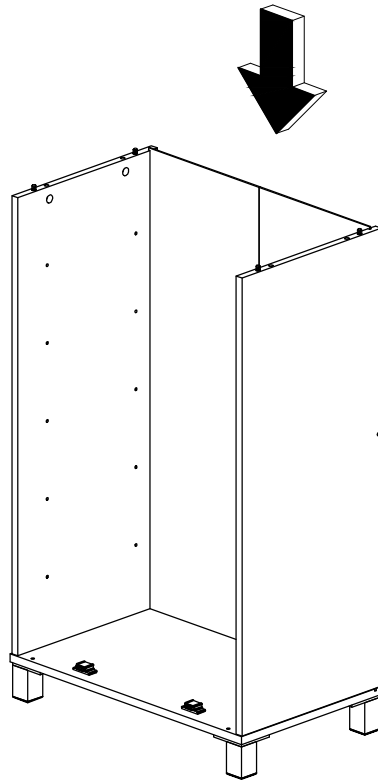


STEP 6

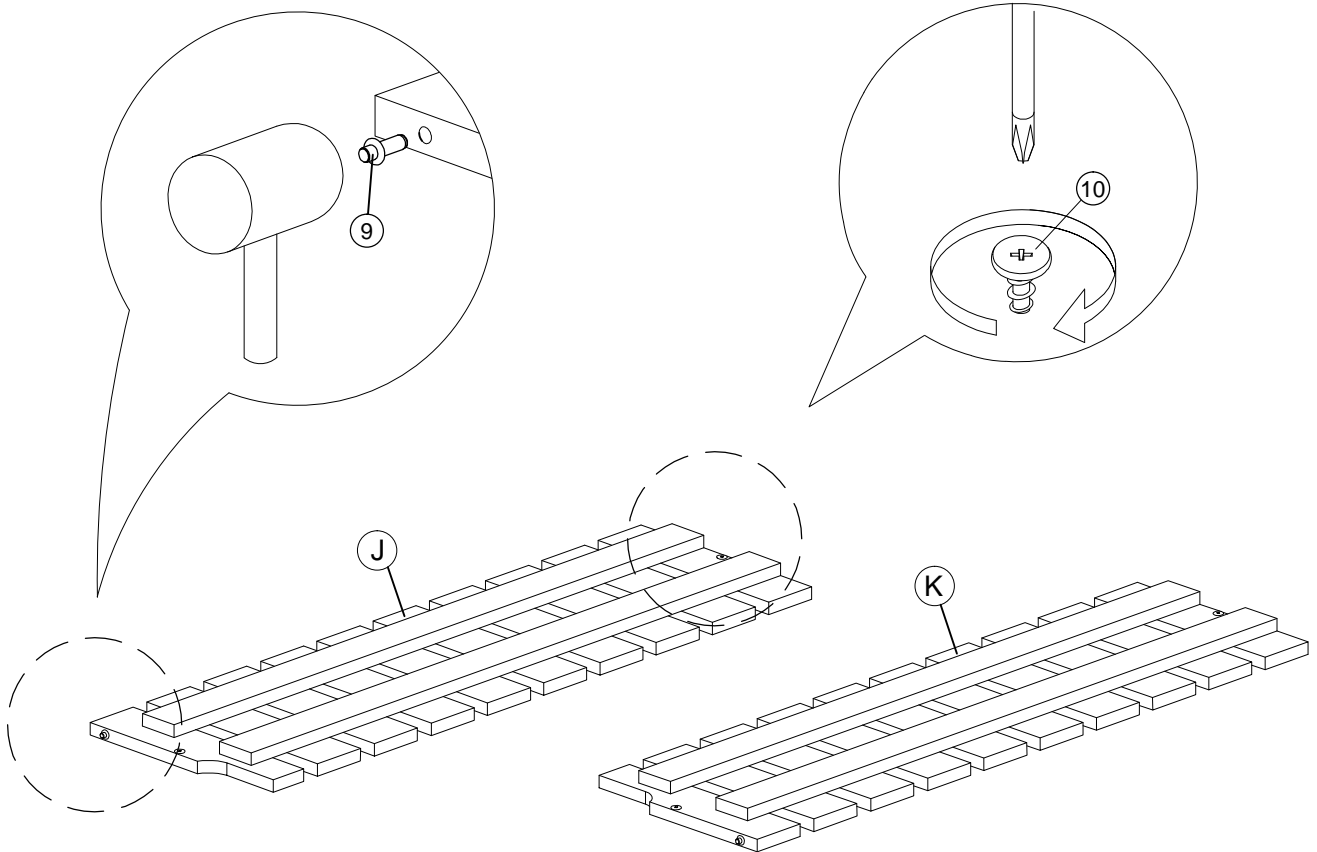


Assembly Instruction

STEP 7

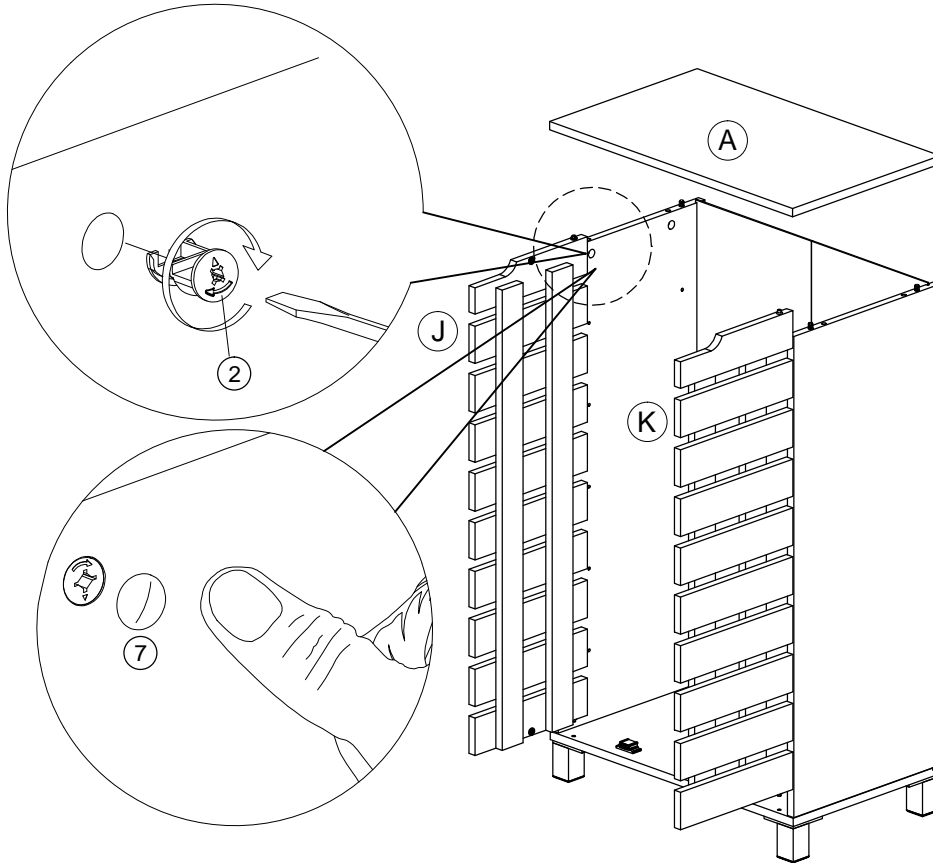


STEP 8

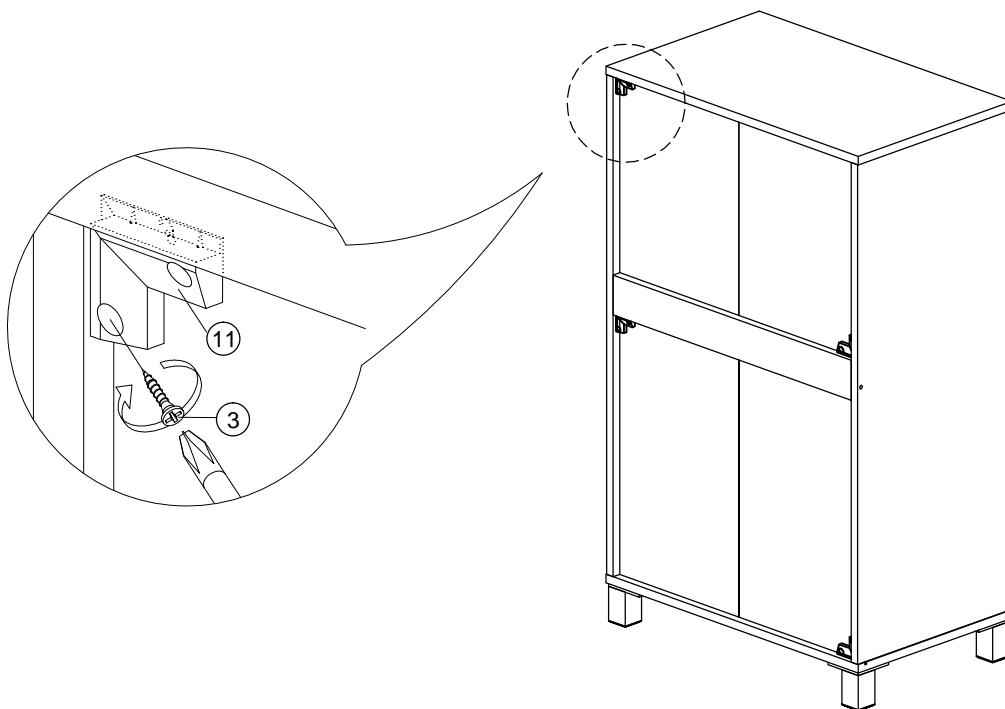


Assembly Instruction

STEP 9

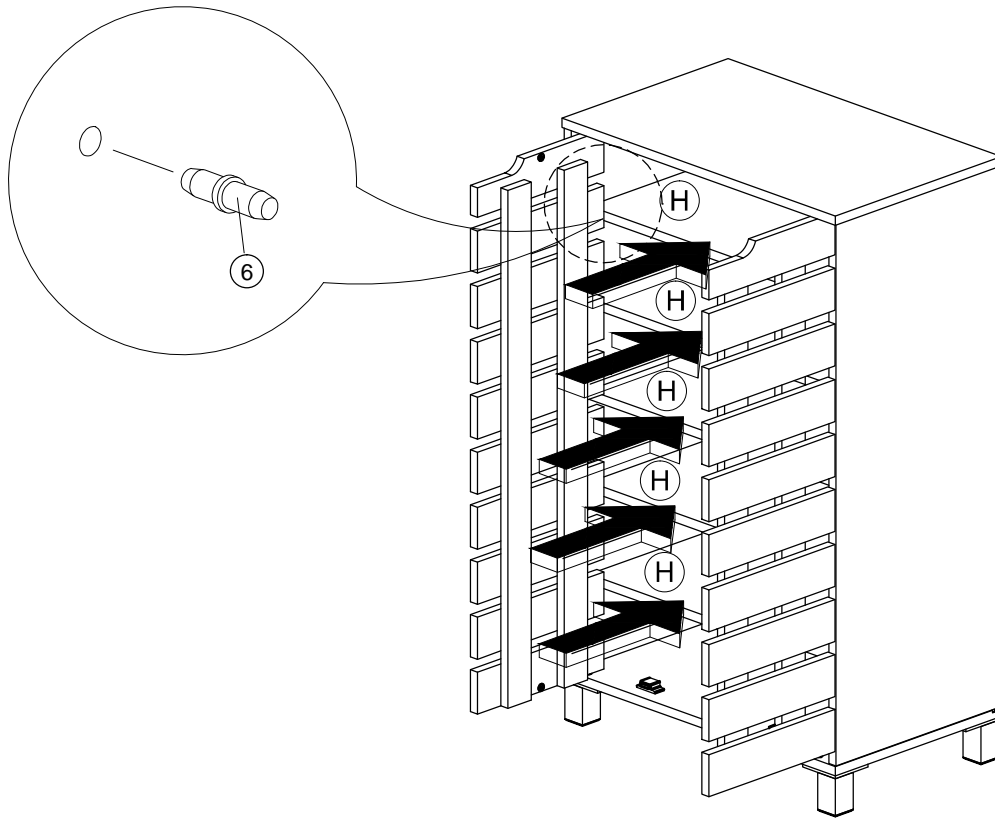


STEP 10

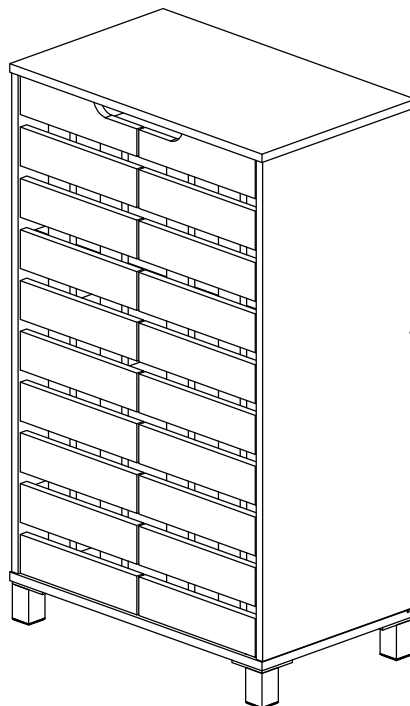


Assembly Instruction

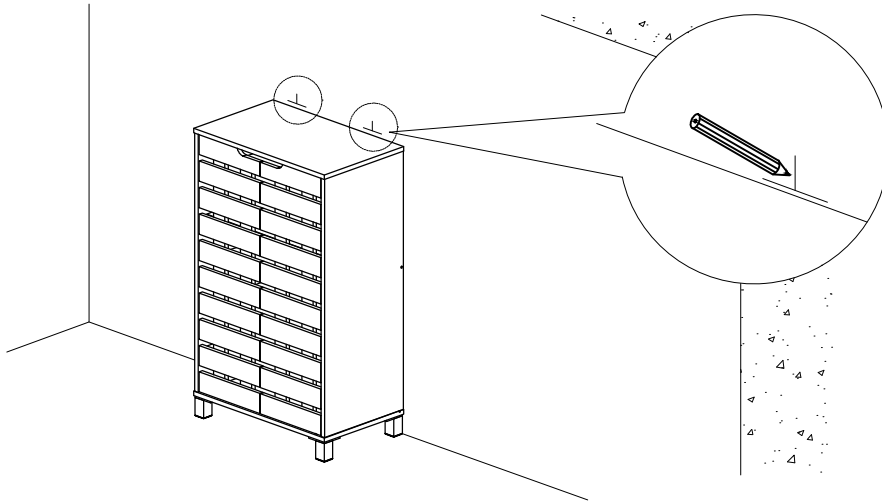
STEP 11



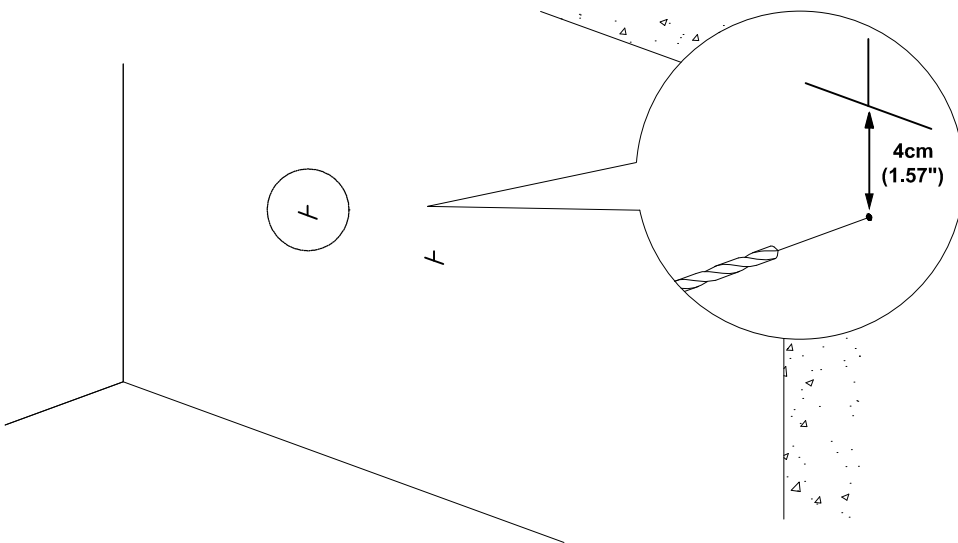
STEP 12



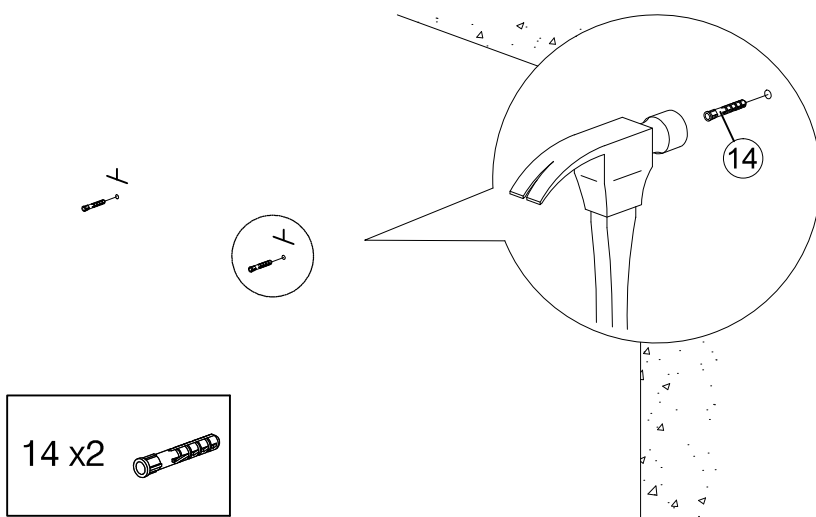
FURNITURE TIPPING RESTRAINT



1. First mark the wall with pencil as in diagram.

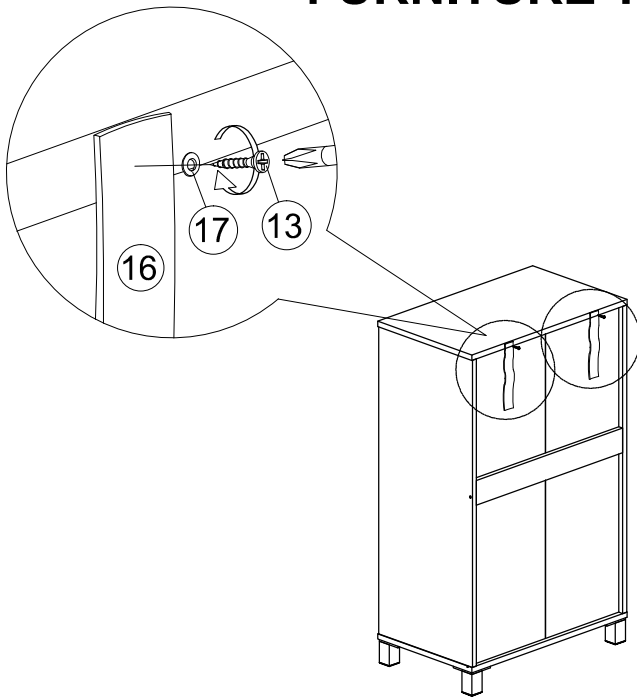


2. Drill small hole at the pencil mark.

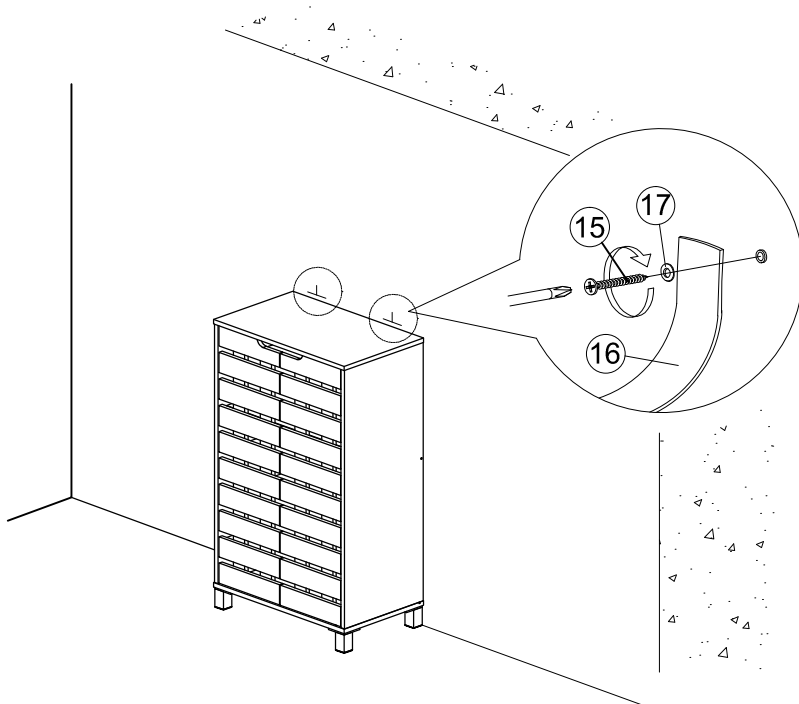
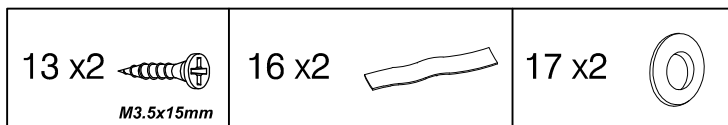


3. Insert plastic wall plug (14).

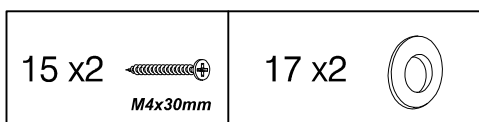
FURNITURE TIPPING RESTRAINT

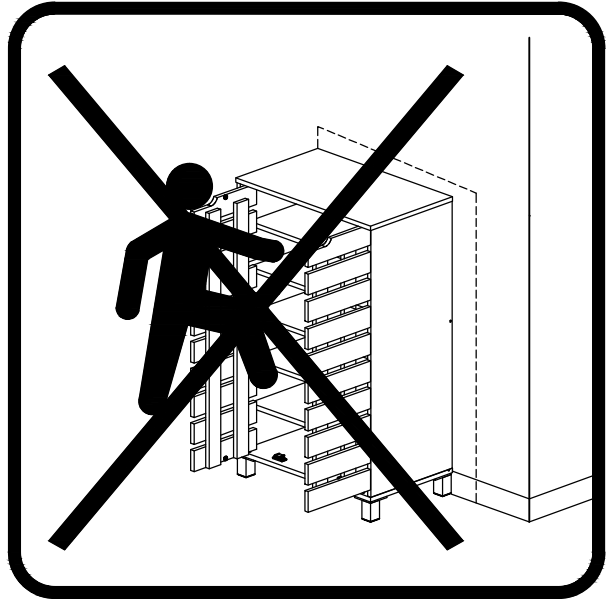
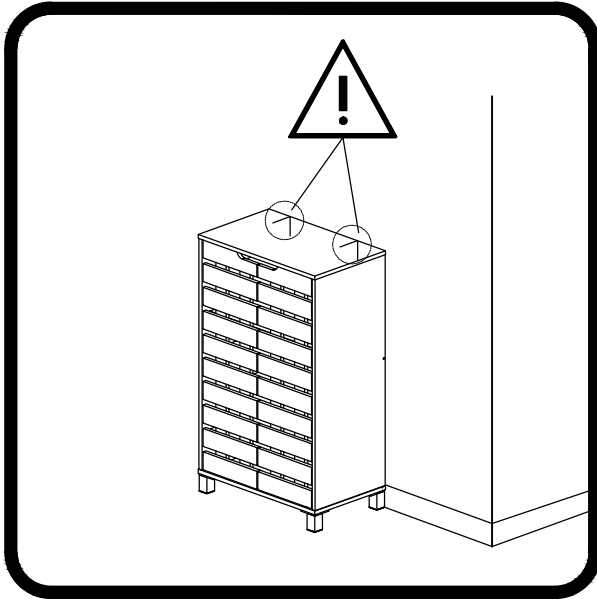



4. Add safety strap (16), washer (17) using 3.5x15mm screw (13) to back of cabinet.



5. Finally, attach safety strap (16) and washer (17) using 4x30mm screw (15) to the wall.





⚠ WARNING	
	<p>Children have died from furniture tipover. To reduce the risk of furniture tipover:</p> <ul style="list-style-type: none">• ALWAYS install tipover restraint provided.• NEVER put a TV on this product.• NEVER allow children to stand, climb or hang on drawers, doors, or shelves.• NEVER open more than one drawer at a time.• Place heaviest items in the lowest drawers. <p><i>This is a permanent label. Do not remove!</i></p>
	



Anti-Topple hardware included for added safety and stability