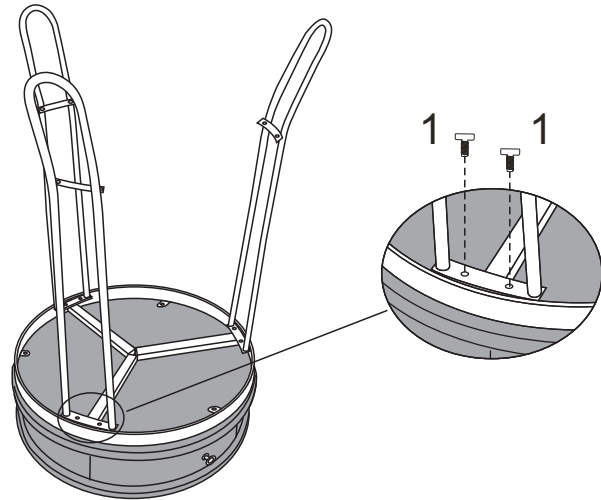
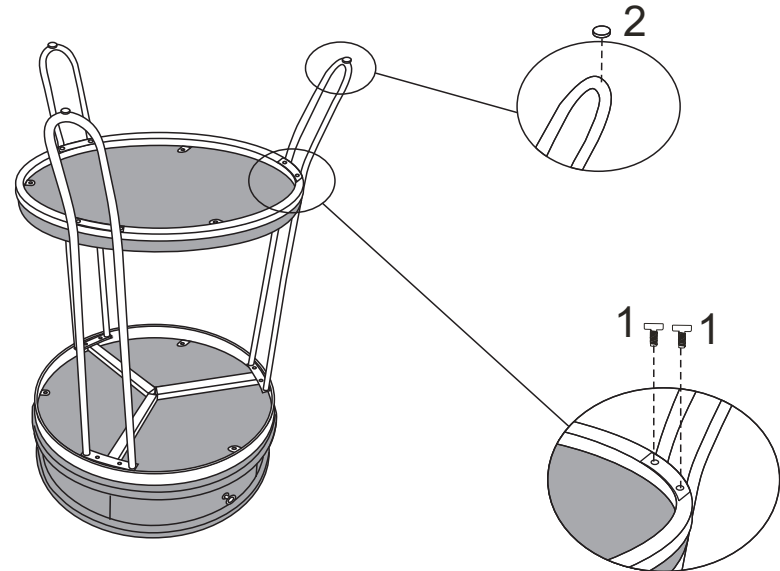


YLX-2728-ET END TABLE

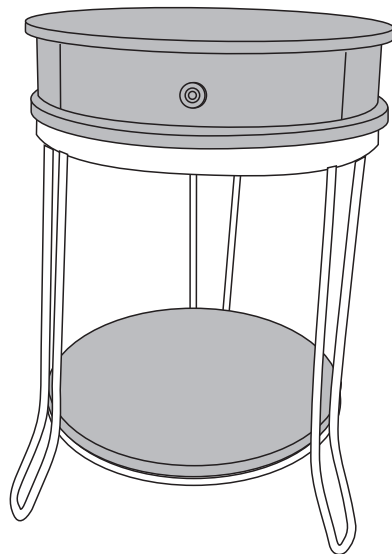
STEP1






STEP2

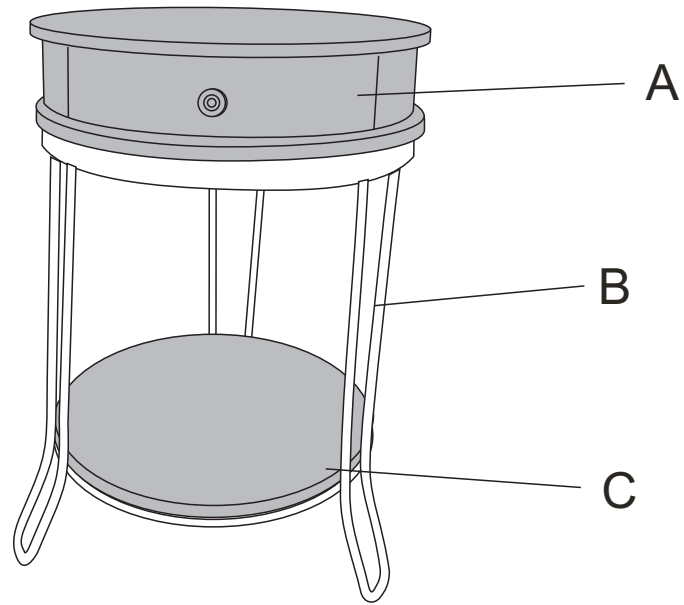


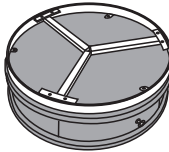

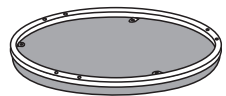
STEP3



Note:
Pls do not tighten all bolts until the products is assembled completely.

1		12X	1/4"*12mm
2		3X	
3		1X	S4



YLX-2728-ET	A		1X
	B		3X
	C		1X