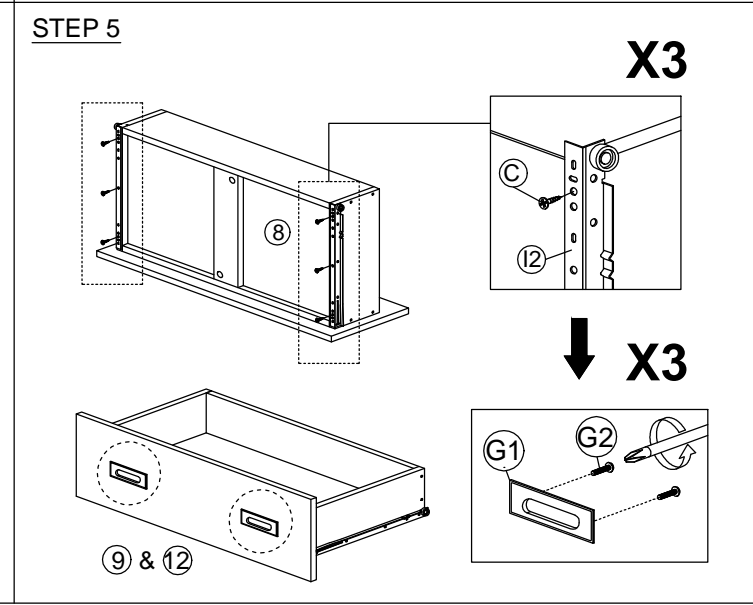
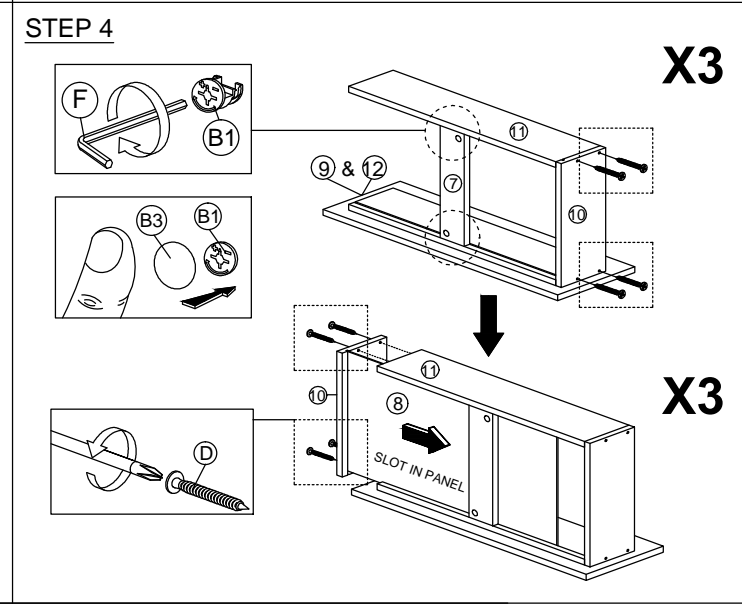
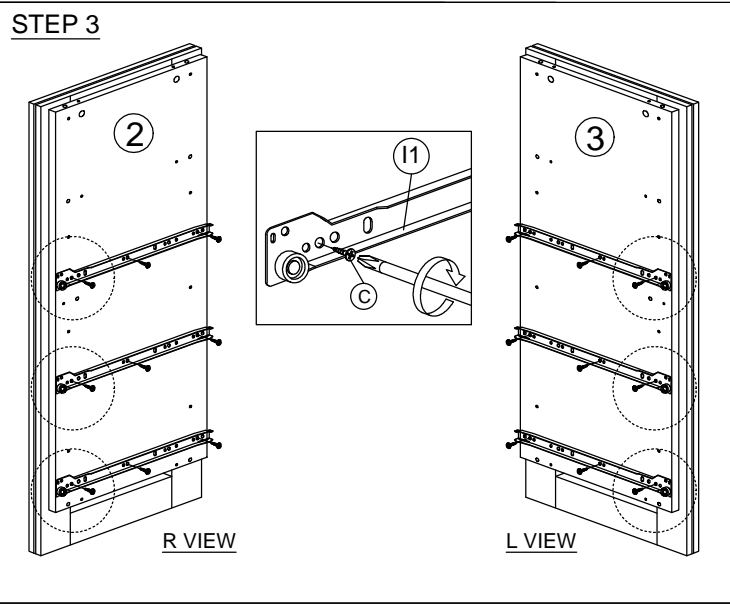
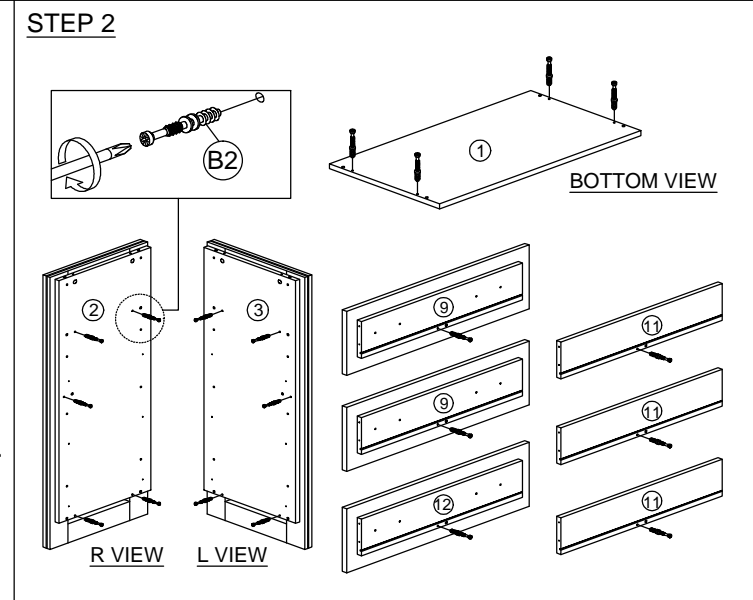
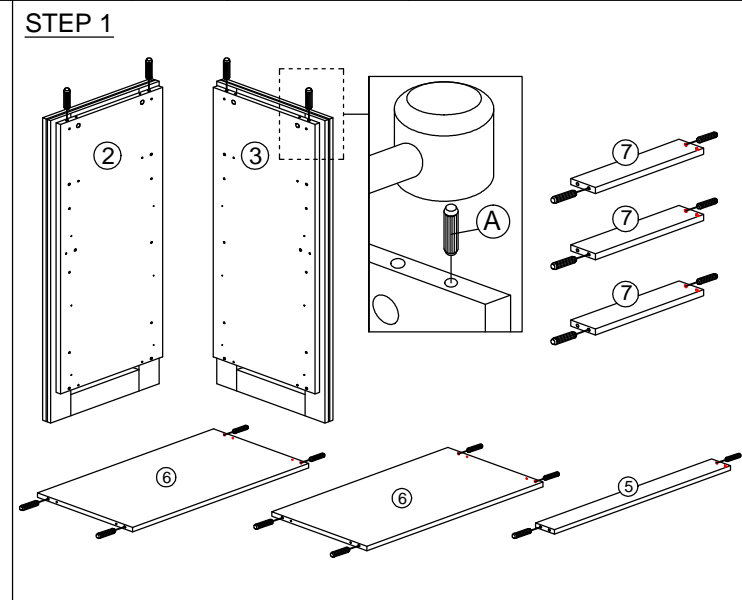
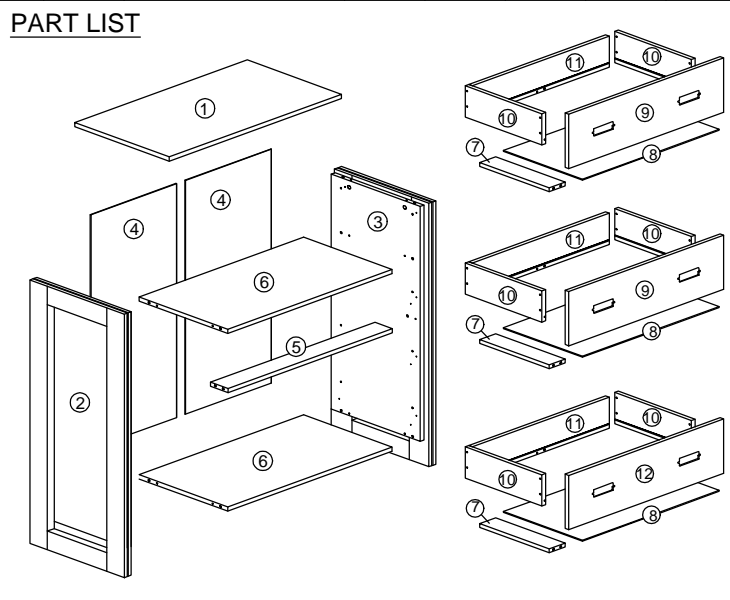


ASSEMBLY INSTRUCTION

MODEL : INS 005

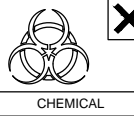
DESCRIPTION : 3 DRAWER CHEST

HARDWARE	A	B	C	D	E	F	G	H	I
WOOD DOWEL M8 X 25MM	B1 B2 B3	16MM	38MM	NAIL 5/8	ALLEN KEY M4	HANDLE	PVC NAIL WITH PIN 5/8	11 12	
20	MINIFIX 5654+5546 QUICKFIT CAP	36	40	20	1	6	12	4	3 SETS

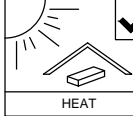




SOFT, DRY CLOTH



CHEMICAL



HEAT



KEEP DRY



HANDLE WITH CARE



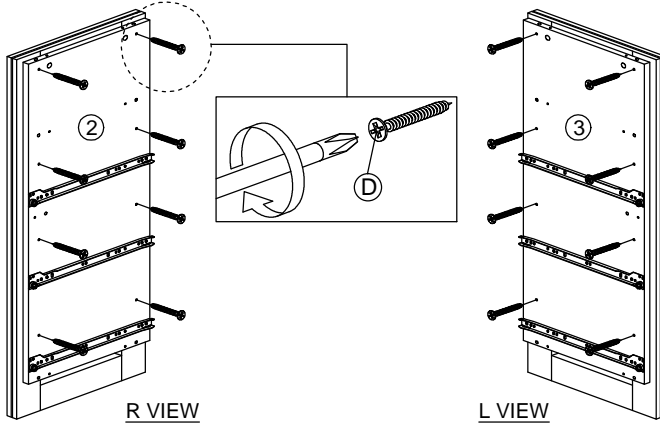
DO NOT USE KNIFE

ASSEMBLY INSTRUCTION

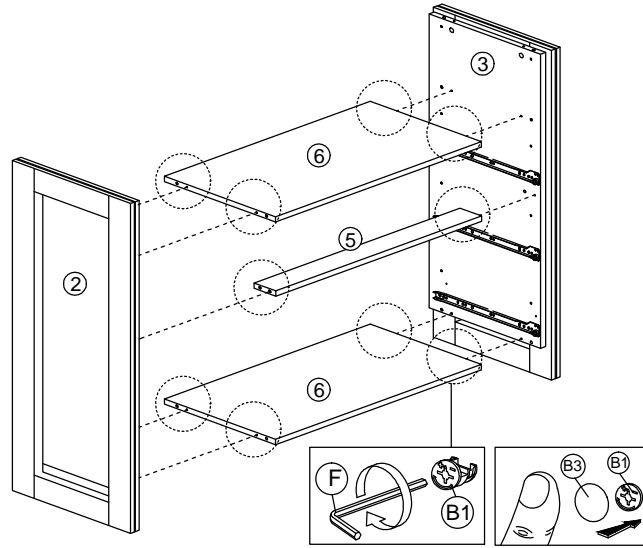
MODEL : INS 005

DESCRIPTION : 3 DRAWER CHEST

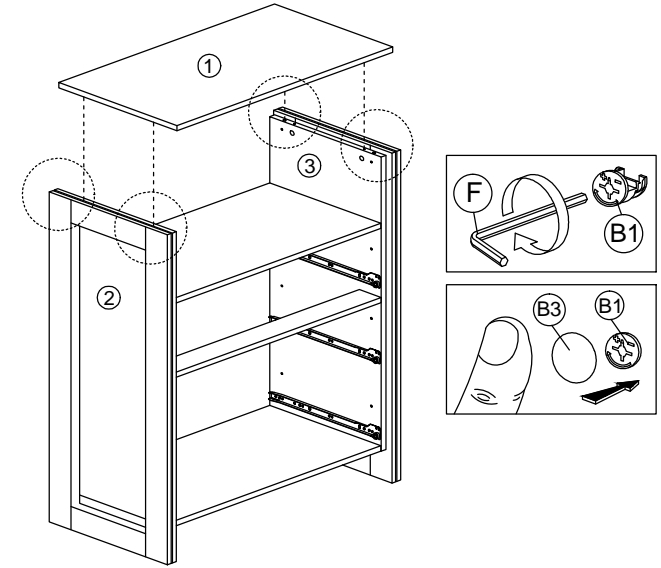
STEP 6



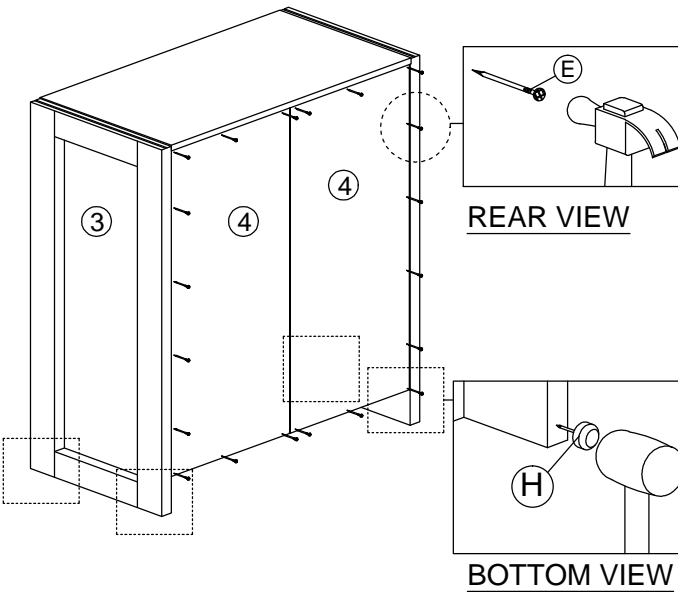
STEP 7



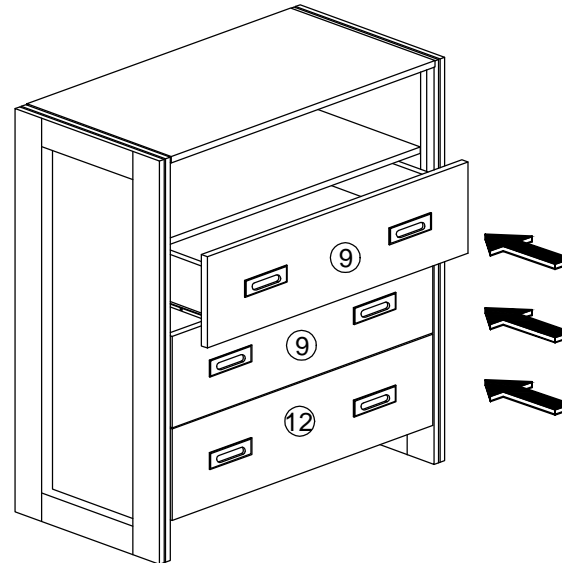
STEP 8



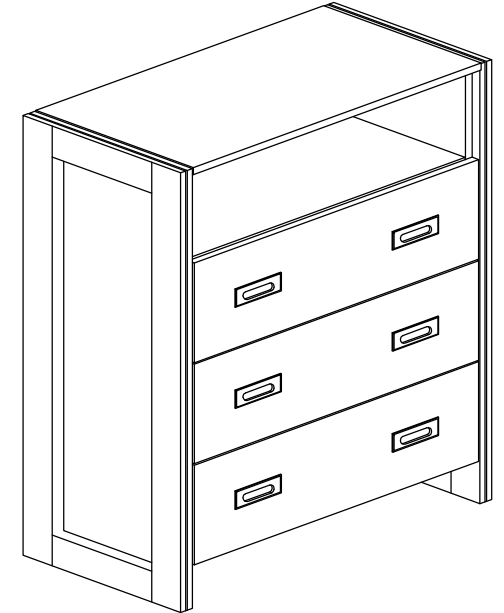
STEP 9



STEP 10



COMPLETED

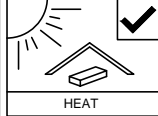




SOFT, DRY CLOTH



CHEMICAL



HEAT



KEEP DRY



HANDLE WITH CARE



DO NOT USE KNIFE

ASSEMBLY INSTRUCTION

MODEL : INS-005

DESCRIPTION : 3 DRAWER CHEST

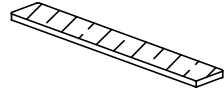
ANTI STOPPER

Z1



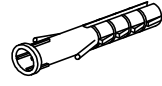
WASHER
X4

Z2



SAFETY STRAP
X2

Z3



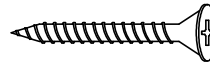
PLASTIC WALL ANCHOR-RED
X2

Z4



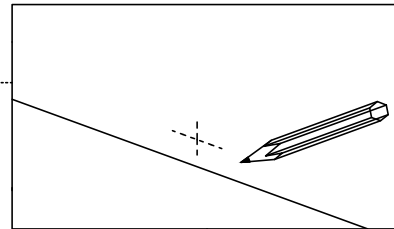
CB SCREW
M3.5X16MM
X2

Z5

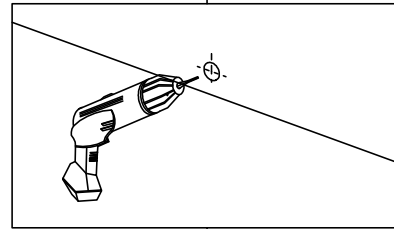


CB SCREW
M4X38MM
X2

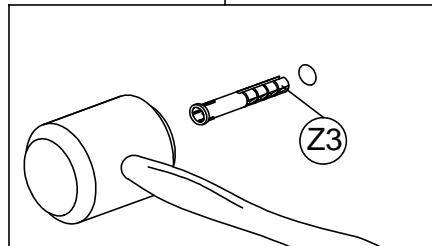
1.



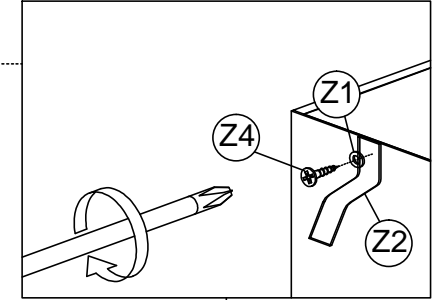
2.



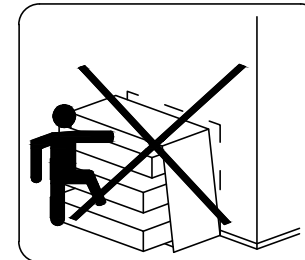
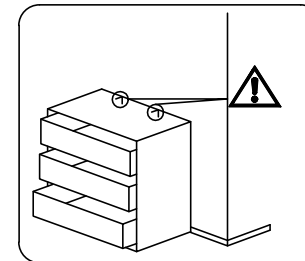
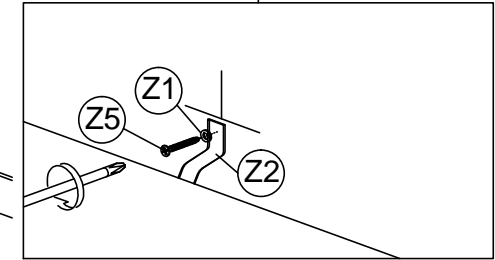
3.



4.



5.



⚠ WARNING

Serious or fatal crushing injuries can occur from furniture tipover. To help prevent tip-over:

- Install tip over restraint provided.
- Place heaviest items in the lower drawers.
- Unless specifically designed to accommodate, do not set TVs or other heavy object on top of this product.
- Never allow children to climb or hang on drawers, doors or shelves.
- Never open more than one drawer at a time.
(OR)
- Do not defeat or remove the drawer interlock system.

Use of tipover restraints may only reduce, but not eliminate, the risk of tipover.

This is a permanent label. Do not remove.