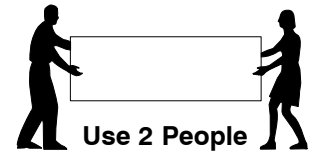
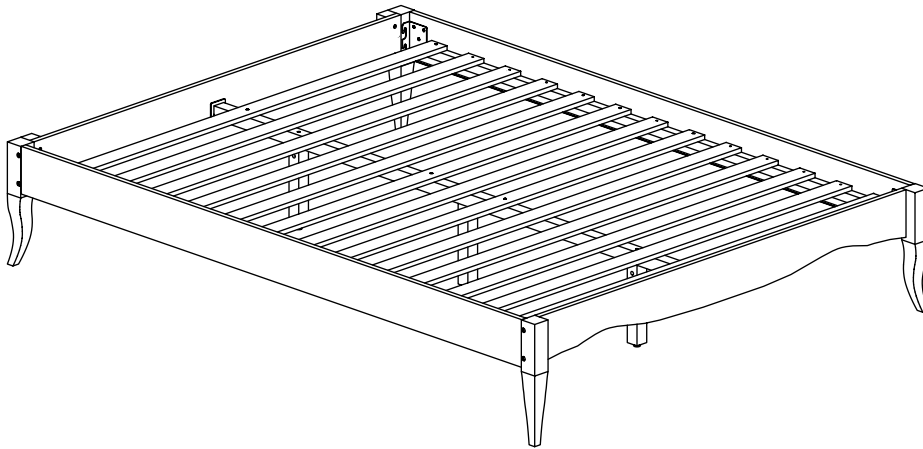


Queen Bed

Assembly Instructions

WII-0419

1 Assembled View



Note: Do not assemble using power tools. This can cause the bolts to be overtightened

2 Parts List



A Headboard Panel x 1



B Footboard Panel x 1



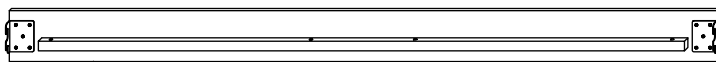
E Support Leg x 3



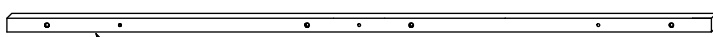
F Post (Left hand) x 2



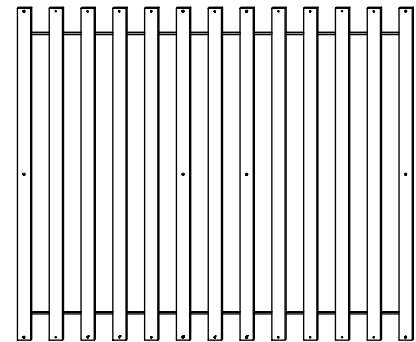
G Post (Right hand) x 2



C Side Rail x 2



D Long Support x 1

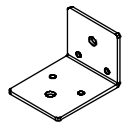


H Set of Bed Slats x 1

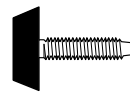
3 Hardware List



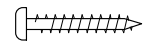
1 M4 Allen Key x 1



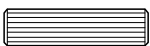
2 Center Rail Bracket x 2



3 Adjustable Foot x 3



4 Wood Screw (M4 x 32mm) x 22



5 Wood Dowel (10 x 40mm) x 4



6 Barrel Nut x 11



7 Spring Washer x 14



8 Flat Washer x 14



9 M6 x 15mm JCB x 4



10 M6 x 20mm JCB x 8



11 M6 x 40mm JCB x 18



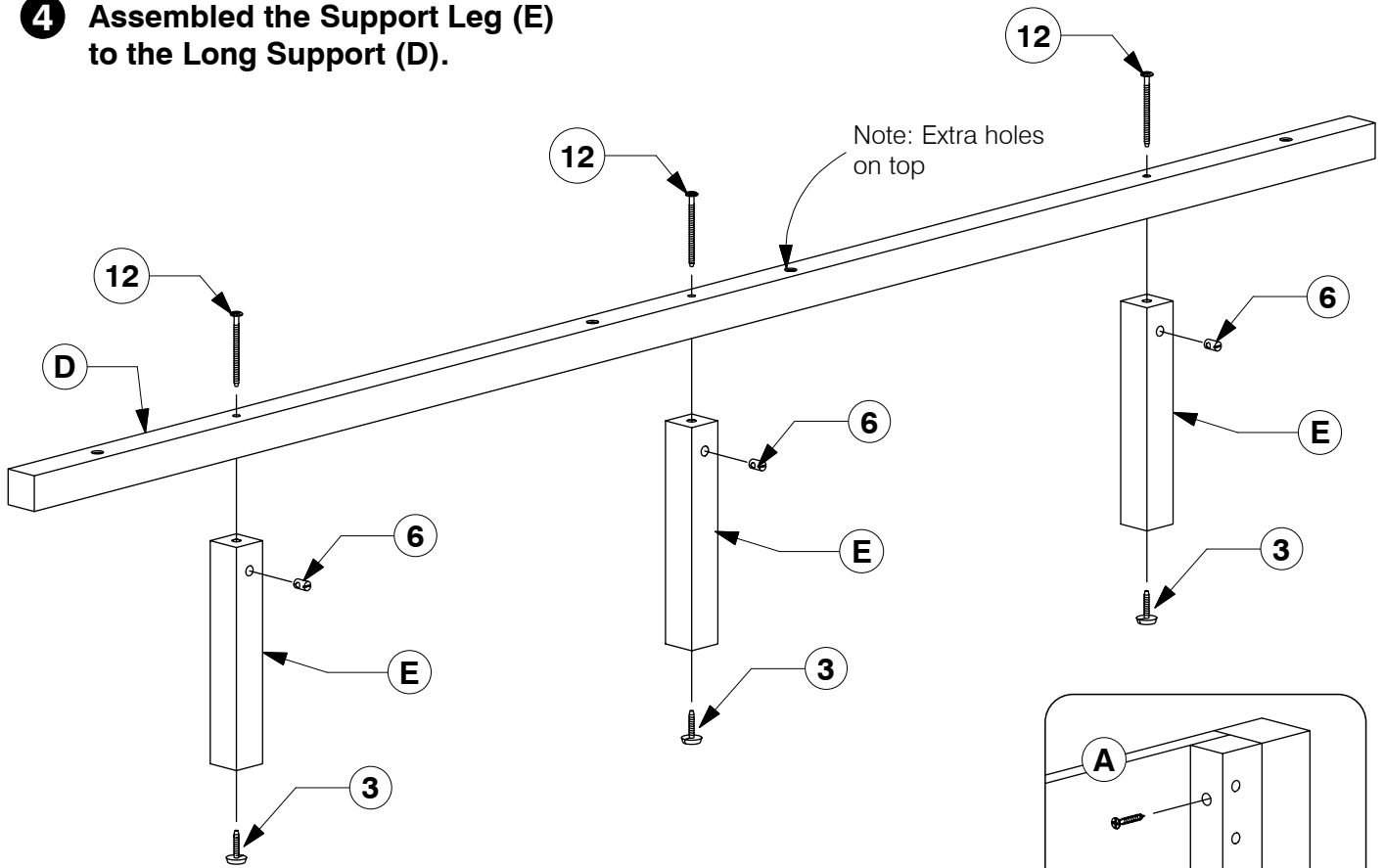
12 M6 x 90mm JCB x 11

Queen Bed

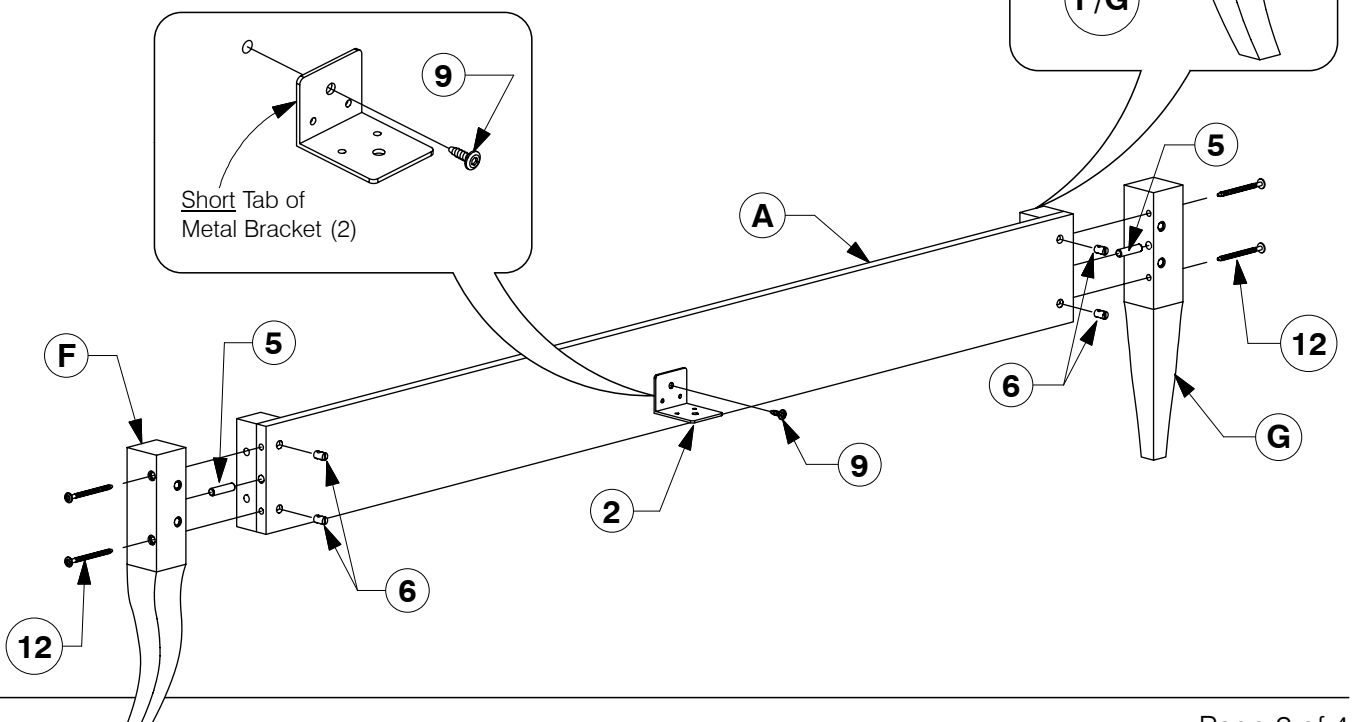
Assembly Instructions

WII-0419

- 4** Assembled the Support Leg (E) to the Long Support (D).



- 5** Fit the Center Rail Bracket to the Headboard Panel (A). Assemble the Headboard Panel (A) to Post (F/G), using Wood Screw 32mm (4).

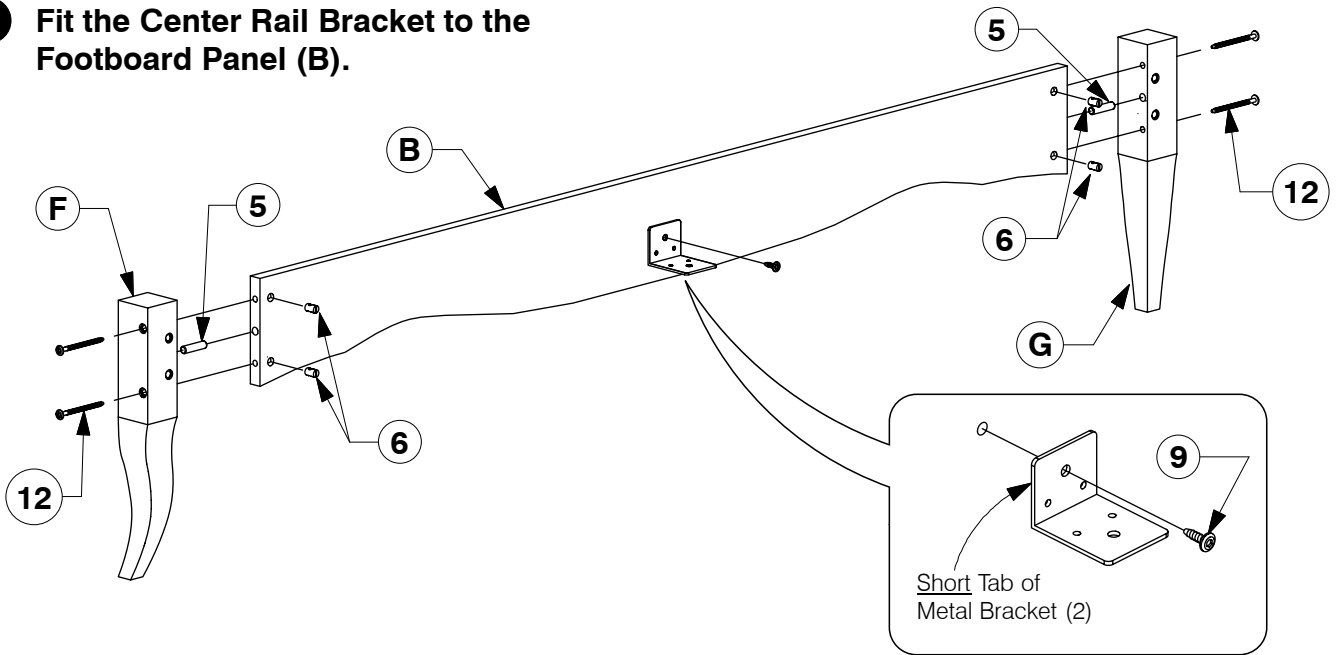


Queen Bed

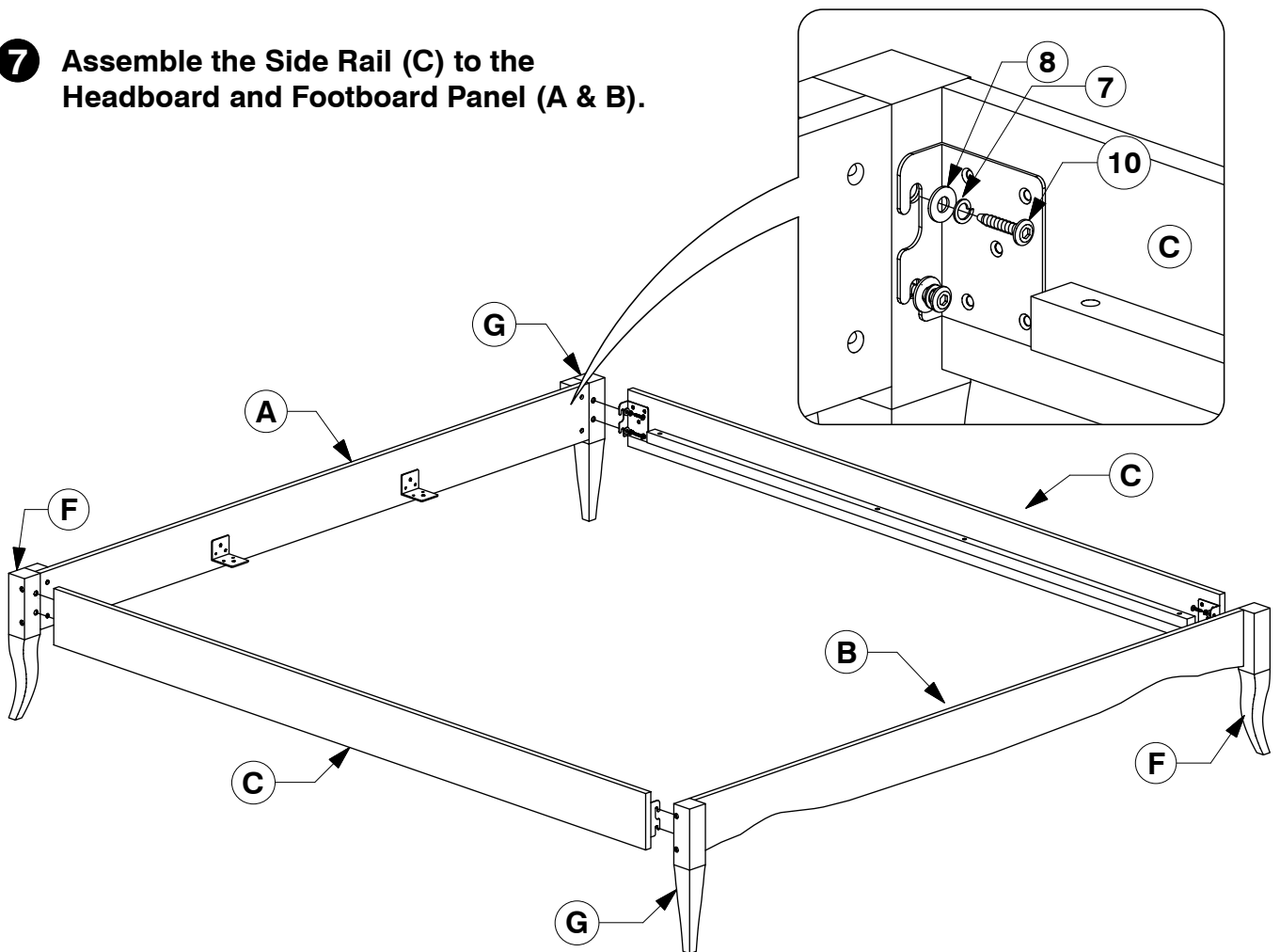
Assembly Instructions

W11-0419

- 6** Fit the Center Rail Bracket to the Footboard Panel (B).



- 7** Assemble the Side Rail (C) to the Headboard and Footboard Panel (A & B).

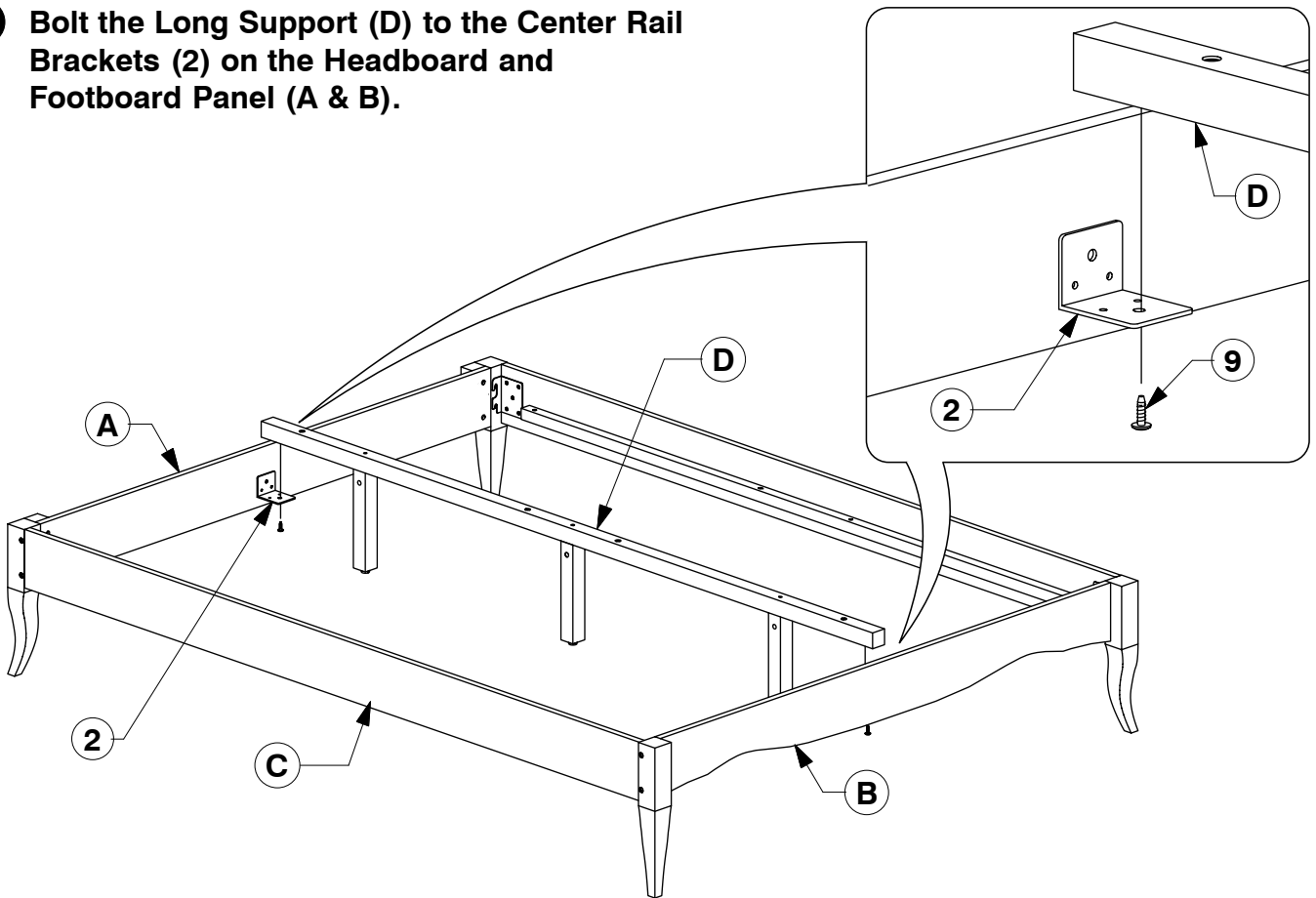


Queen Bed

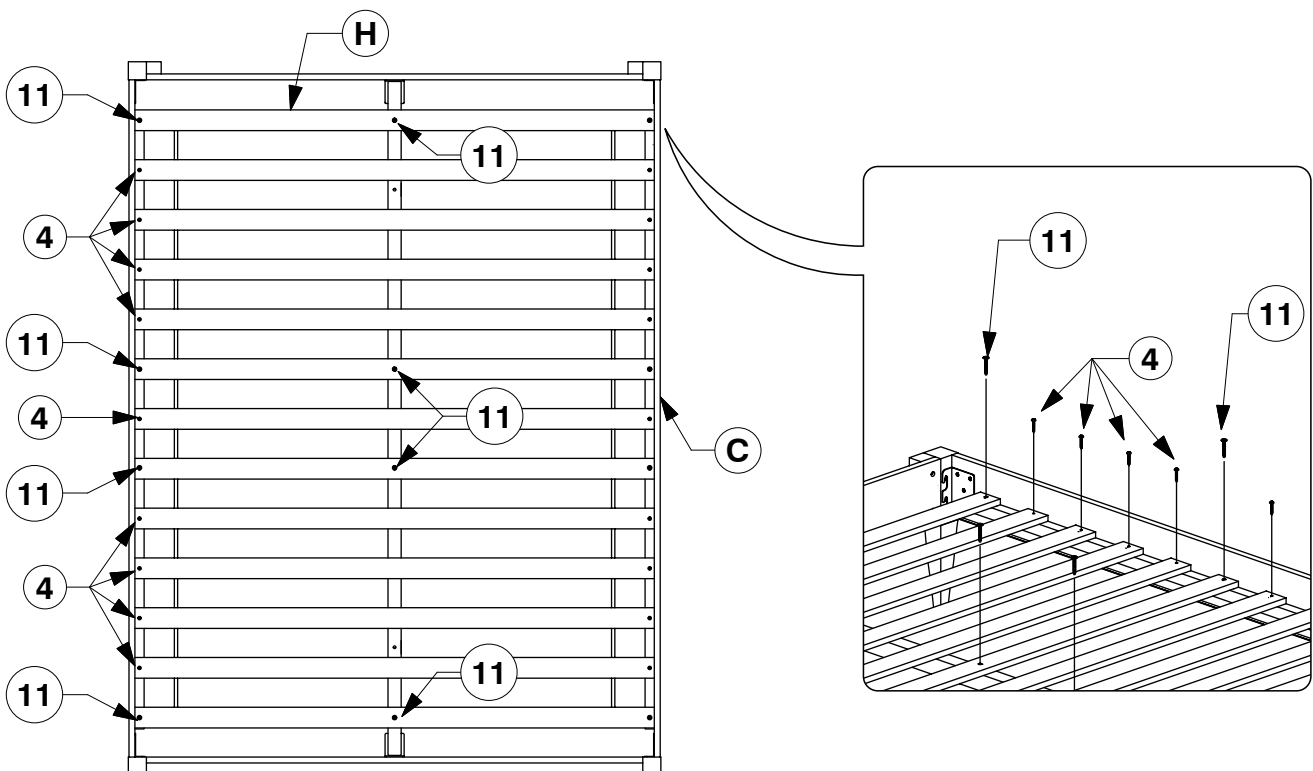
Assembly Instructions

W11-0419

- 8** Bolt the Long Support (D) to the Center Rail Brackets (2) on the Headboard and Footboard Panel (A & B).



- 9** Bolt & screw the Bed Slats (H) to the Side Rail (C).

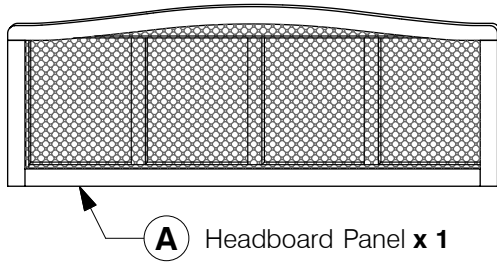


Queen Headboard

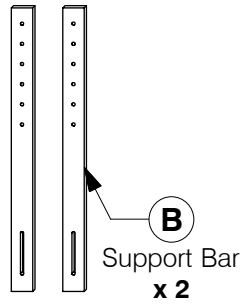
Assembly Instructions

W11-0419

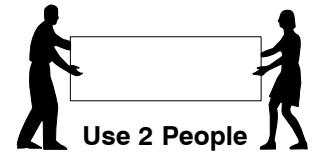
1 Parts List



A Headboard Panel x 1



B Support Bar x 2



2 Hardware List



1 M6 x 35mm JCB x 4



2 Spring Washer x 4



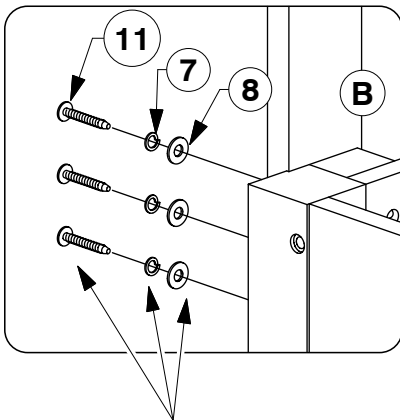
3 Flat Washer x 4



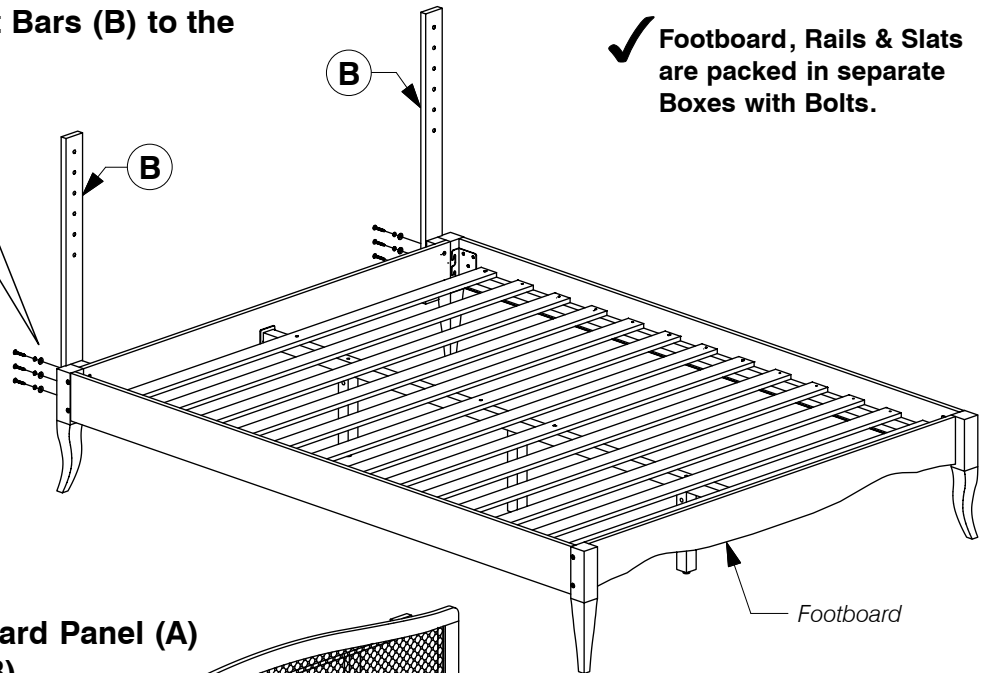
4 Allen Key x 1

Note: Do not assemble using power tools. This can cause the bolts to be overtightened

3 Assemble the Support Bars (B) to the Headboard.



Note: Bolts & Washers from Footboard, Rails & Slats Box.



✓ Footboard, Rails & Slats are packed in separate Boxes with Bolts.

4 Assemble the Headboard Panel (A) to the Support Bars (B).

