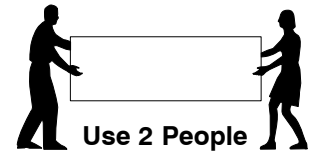
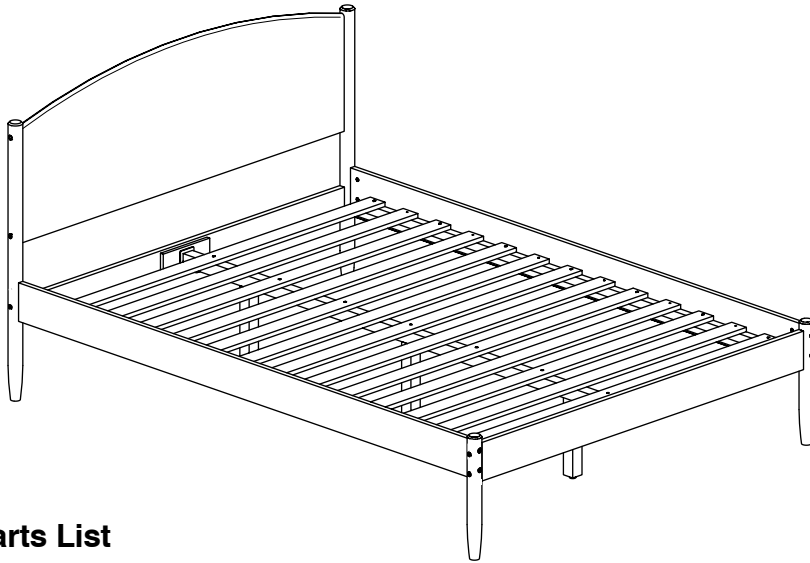


Full Bed

Assembly Instructions

W11-0419

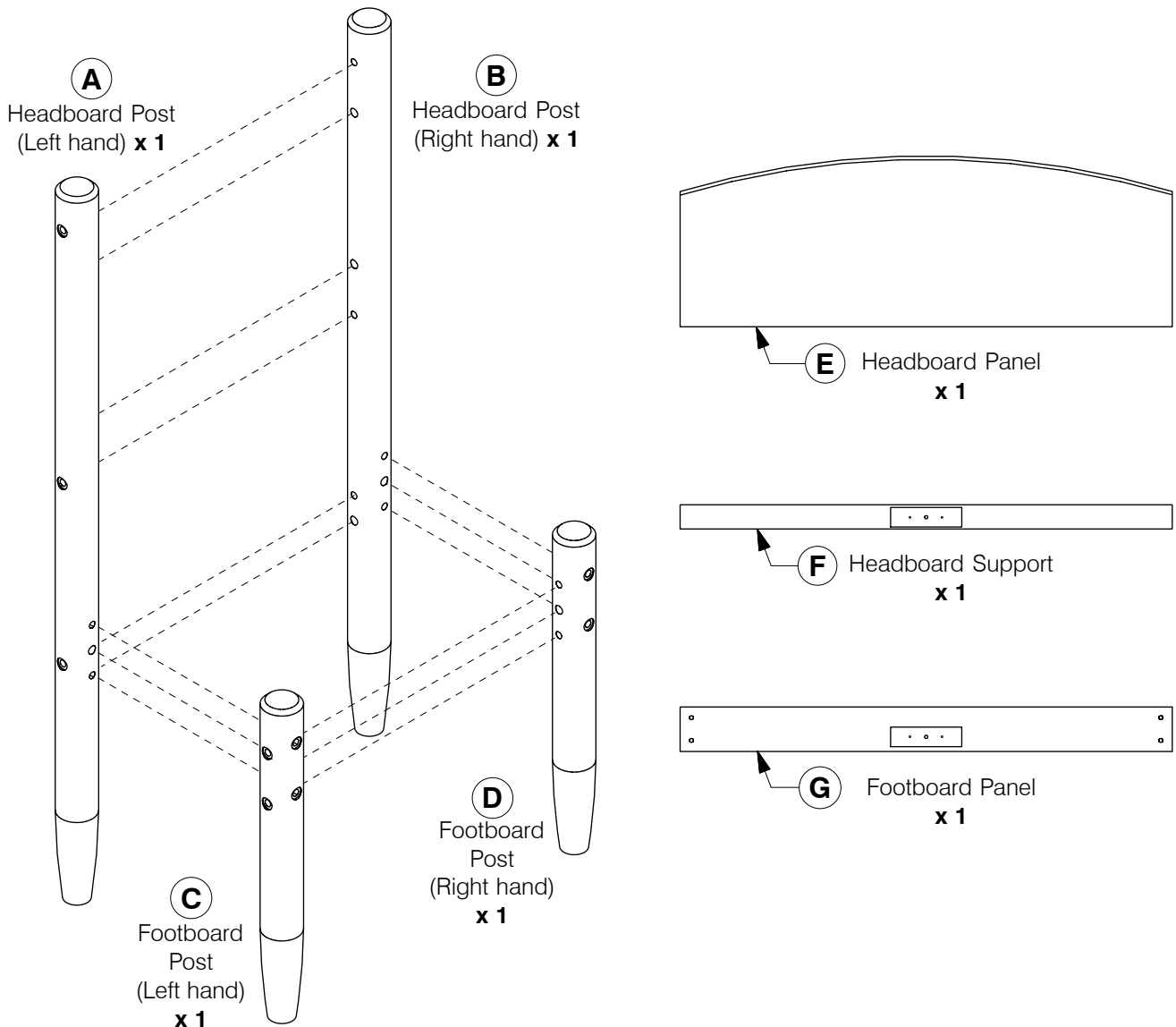
1 Assembled View



Note: Do not assemble using power tools. This can cause the bolts to be overtightened

2 Parts List

Parts in Box A:



A
Headboard Post
(Left hand) x 1

B
Headboard Post
(Right hand) x 1

C
Footboard Post
(Left hand)
x 1

D
Footboard Post
(Right hand)
x 1

E Headboard Panel
x 1

F Headboard Support
x 1

G Footboard Panel
x 1

Full Bed

Assembly Instructions

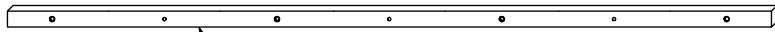
WII-0419

2 Parts List

Parts in Box B:



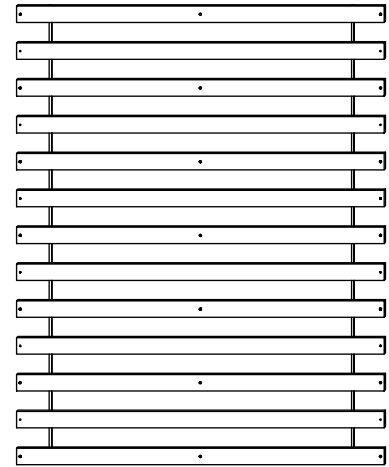
H Side Rail **x 2**



J Long Support **x 1**



K Support Leg **x 3**



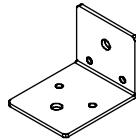
L

Set of Bed Slats **x 1**

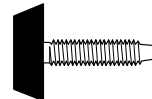
3 Hardware List



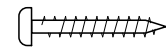
1 M4 Allen Key **x 1**



2 Center Rail Bracket **x 2**



3 Adjustable Foot **x 3**



4 Wood Screw (M4 x 32mm) **x 12**



5 Wood Dowel (10 x 40mm) **x 12**



6 Barrel Nut **x 21**



7 M6 x 15mm JCB **x 4**



8 M6 x 40mm JCB **x 18**

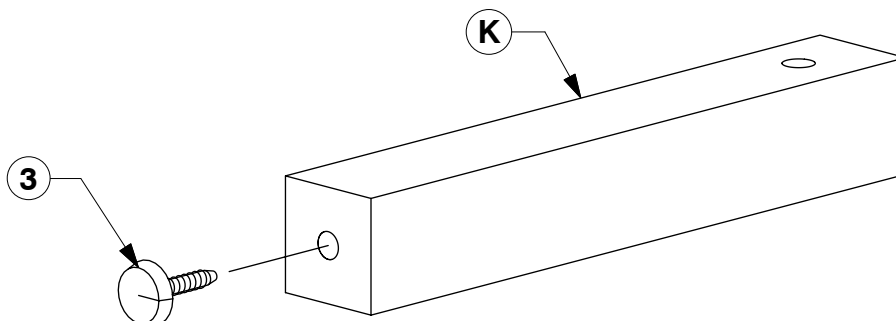


9 M6 x 90mm JCB **x 18**



10 M6 x 100mm JCB **x 3**

4 Fix the Adjustable foot to the bottom of the Support Leg (K).

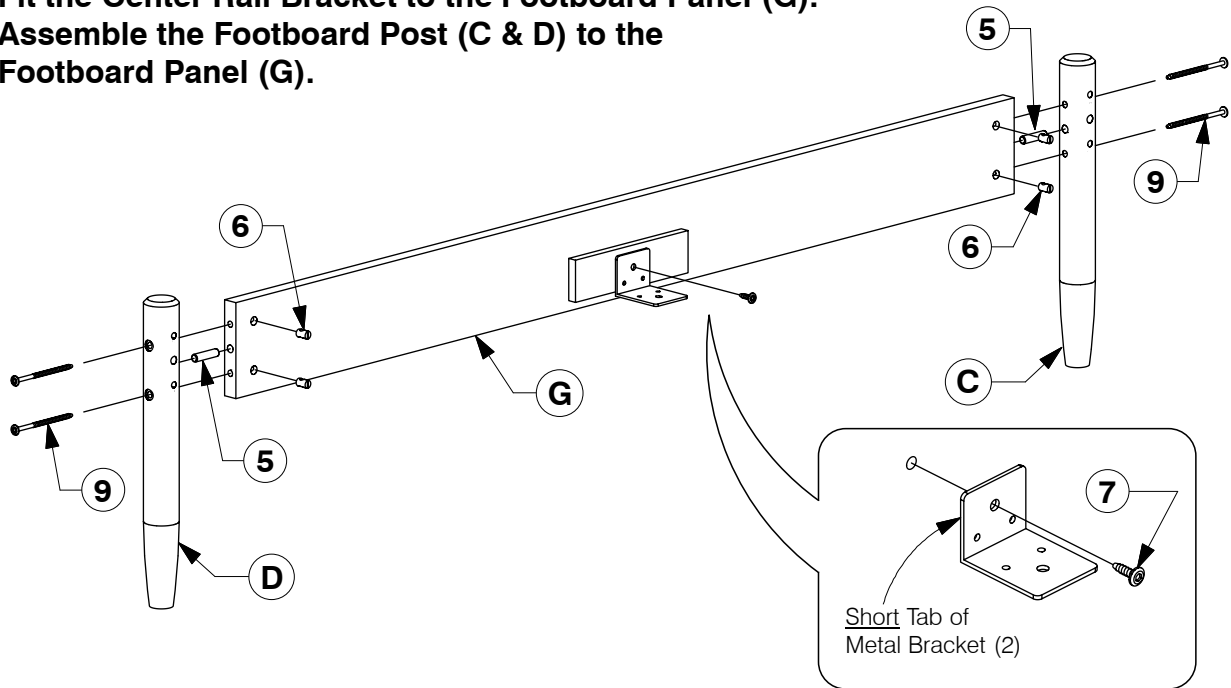


Full Bed

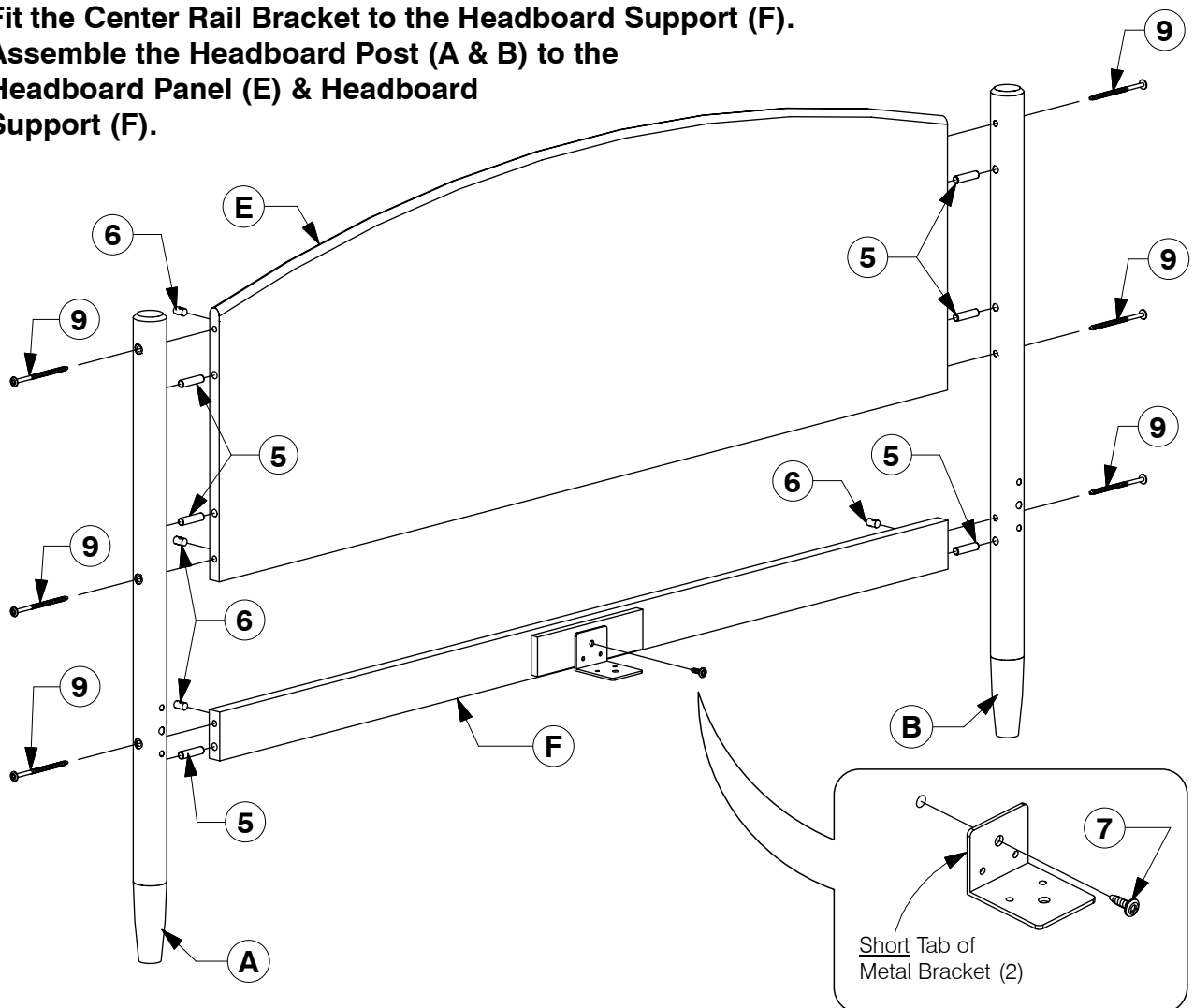
Assembly Instructions

W11-0419

- 5** Fit the Center Rail Bracket to the Footboard Panel (G).
Assemble the Footboard Post (C & D) to the
Footboard Panel (G).



- 6** Fit the Center Rail Bracket to the Headboard Support (F).
Assemble the Headboard Post (A & B) to the
Headboard Panel (E) & Headboard
Support (F).

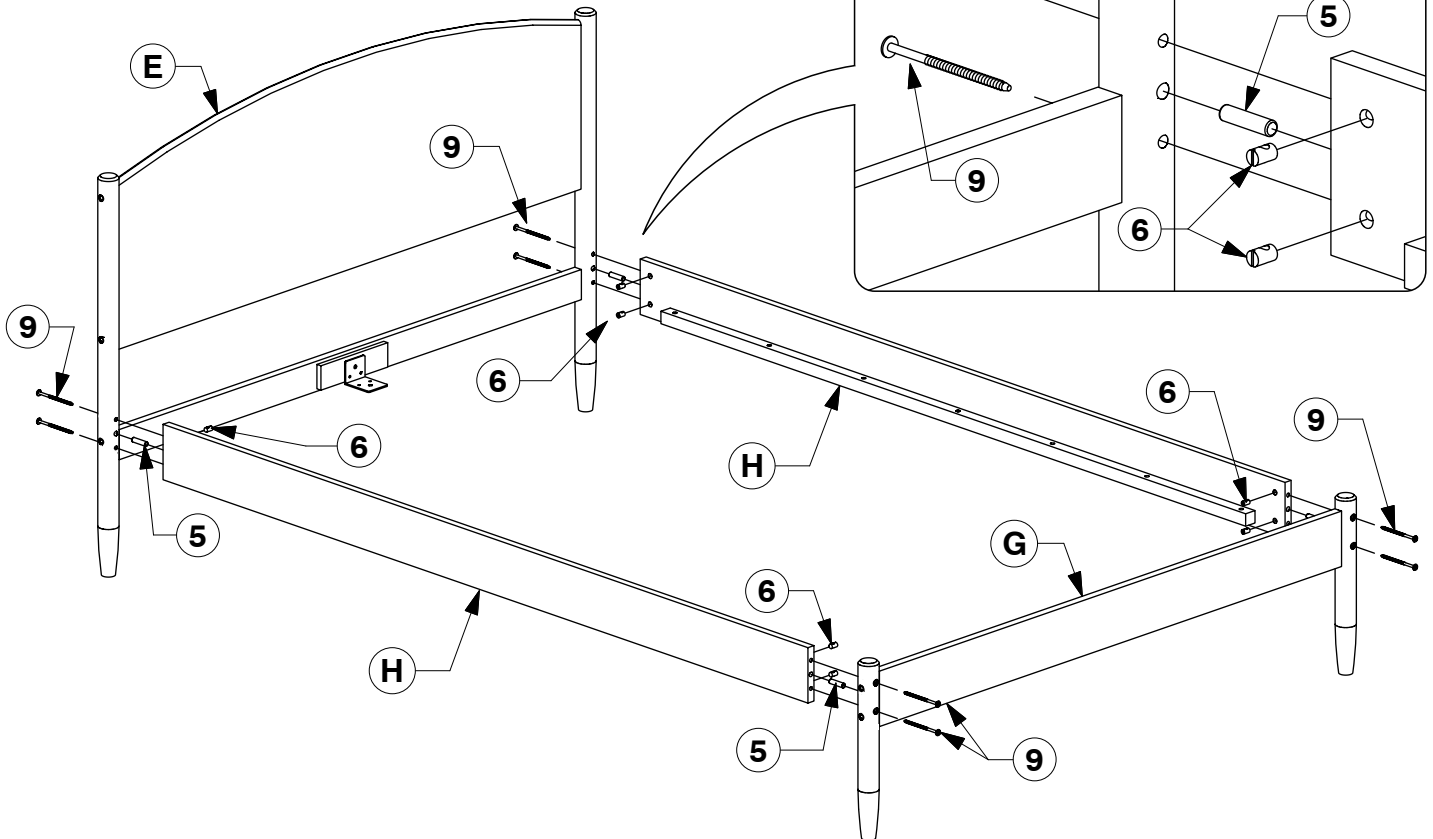


Full Bed

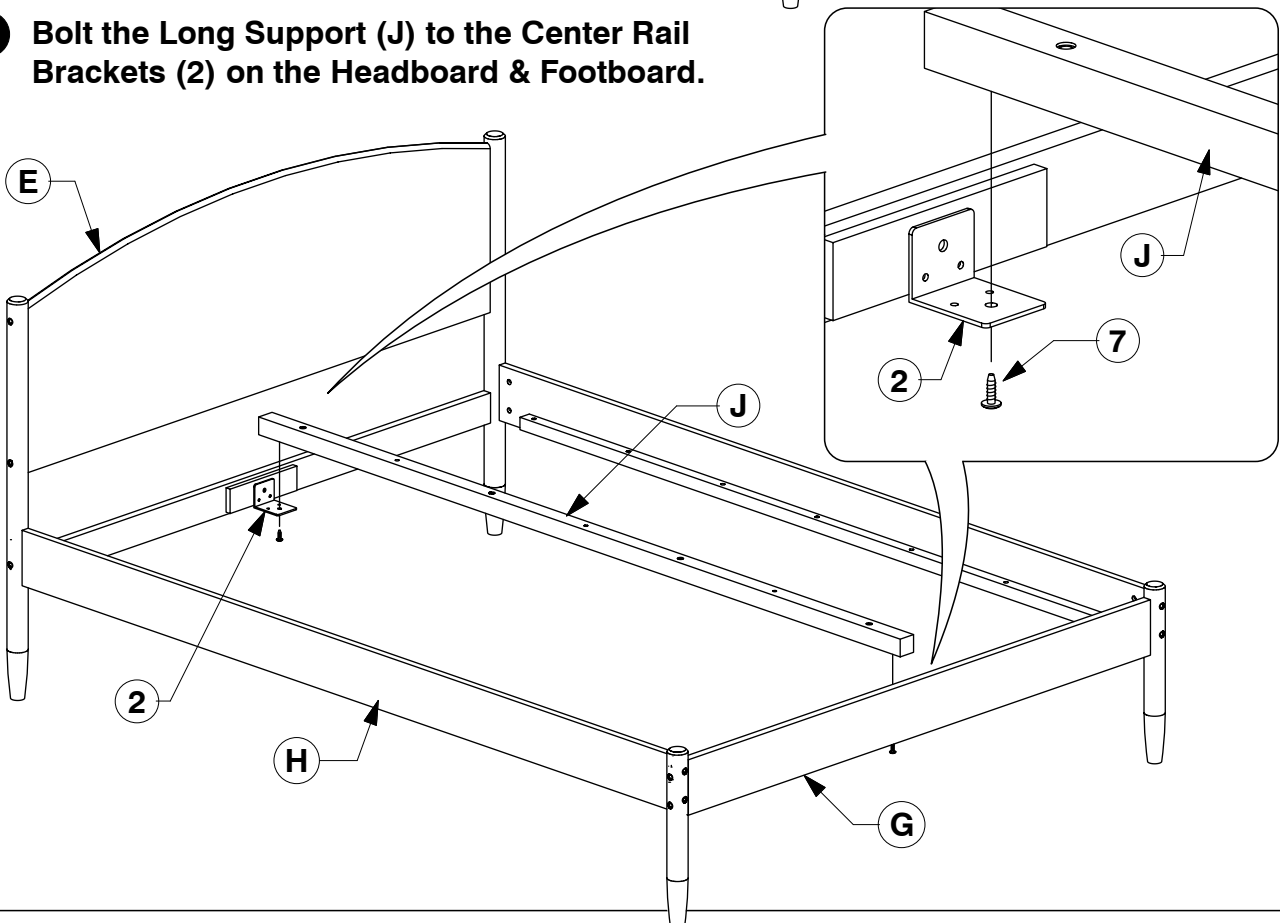
Assembly Instructions

WII-0419

- 7 Assemble the Side Rails (H) to the assembled Headboard & Footboard.**



- 8 Bolt the Long Support (J) to the Center Rail Brackets (2) on the Headboard & Footboard.**

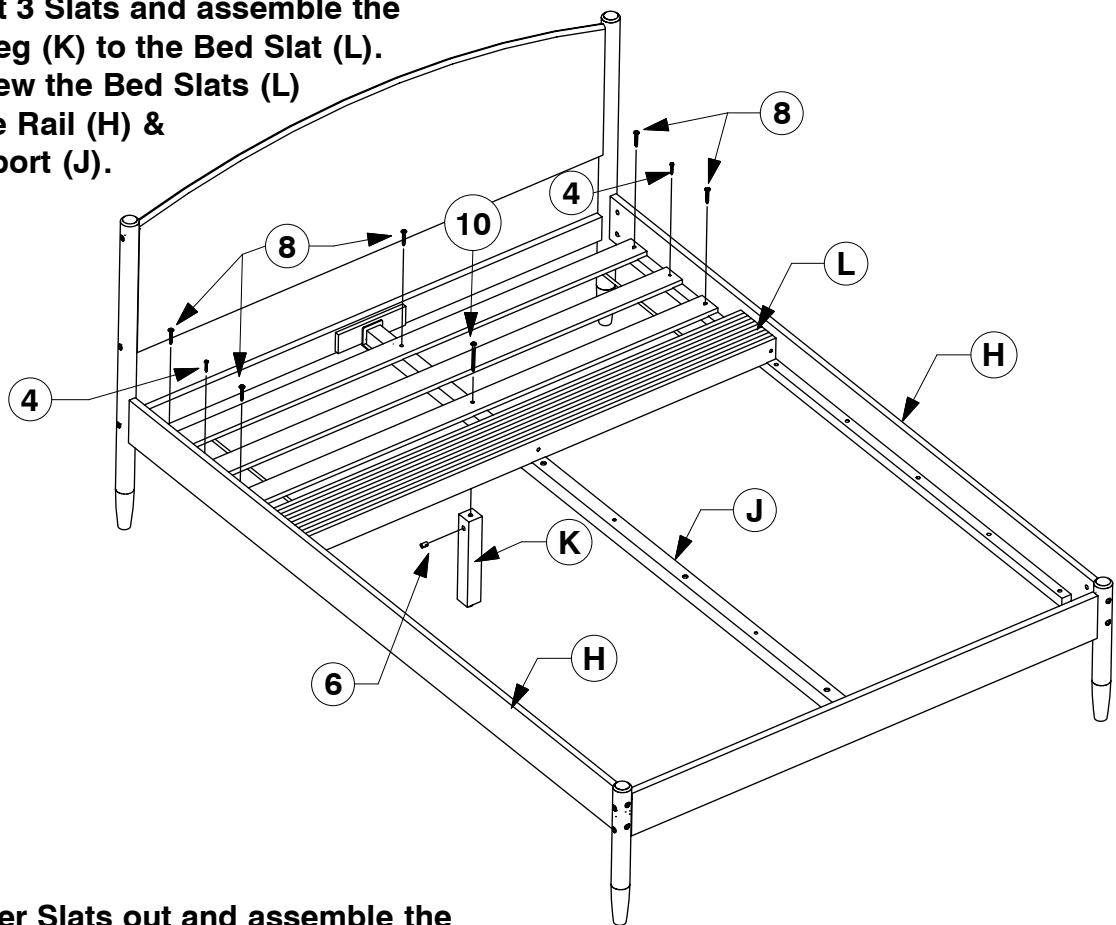


Full Bed

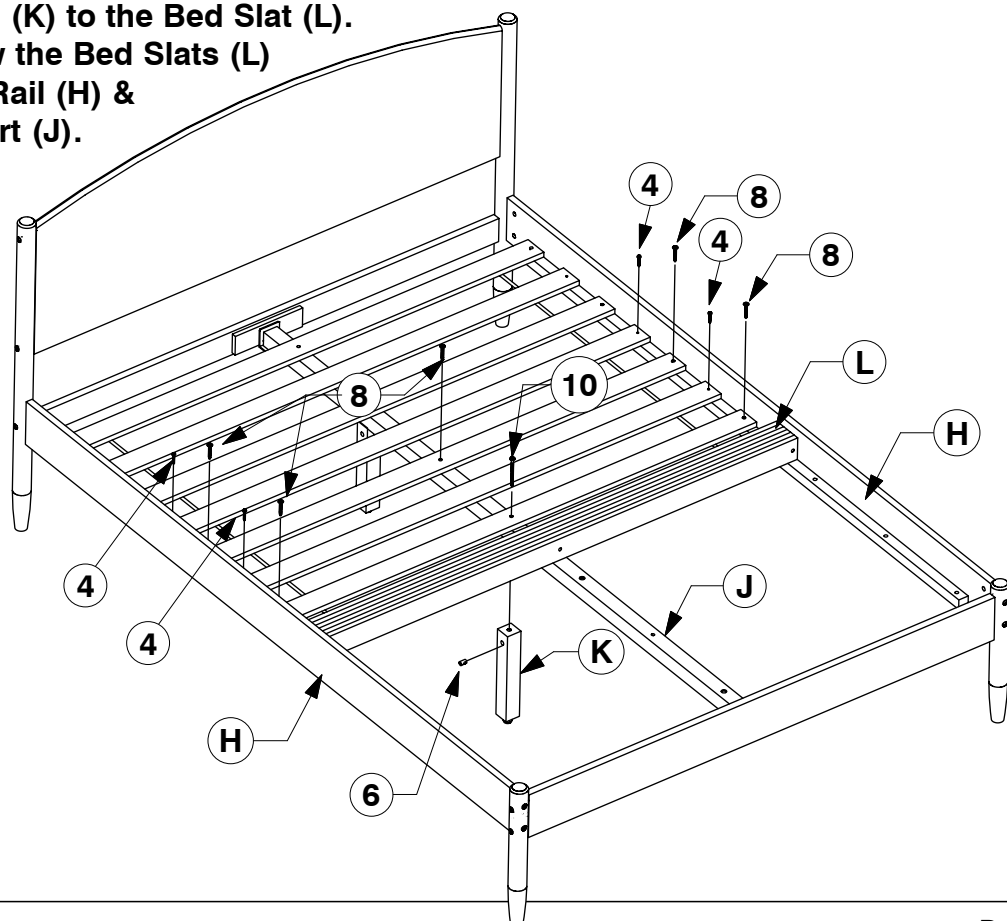
Assembly Instructions

WII-0419

- 9** Fit the first 3 Slats and assemble the Support Leg (K) to the Bed Slat (L). Bolt & screw the Bed Slats (L) to the Side Rail (H) & Long Support (J).



- 10** Fit the other Slats out and assemble the Support Leg (K) to the Bed Slat (L). Bolt & screw the Bed Slats (L) to the Side Rail (H) & Long Support (J).

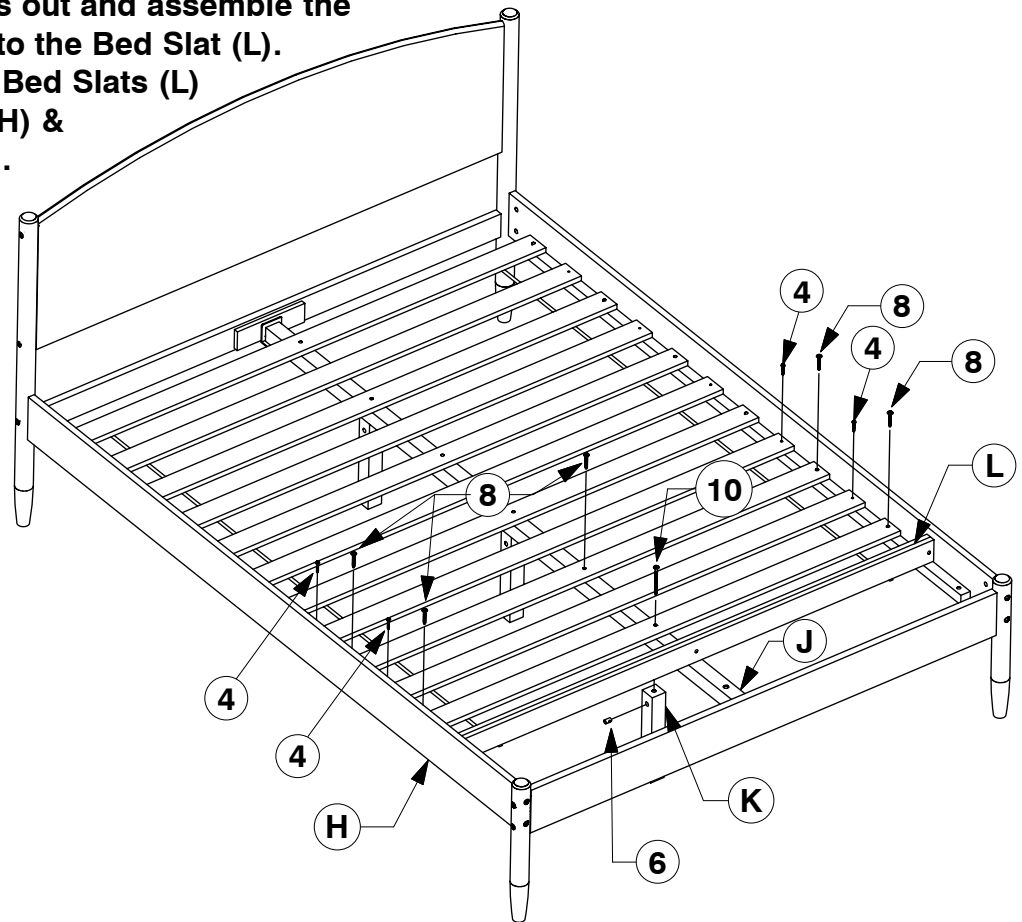


Full Bed

Assembly Instructions

W11-0419

- 11** Fit the other Slats out and assemble the Support Leg (K) to the Bed Slat (L). Bolt & screw the Bed Slats (L) to the Side Rail (H) & Long Support (J).



- 12** Bolt & screw the remaining Bed Slats (L) to the Side Rail (H).

