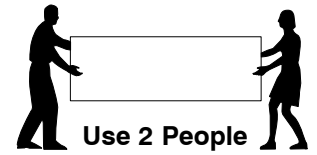
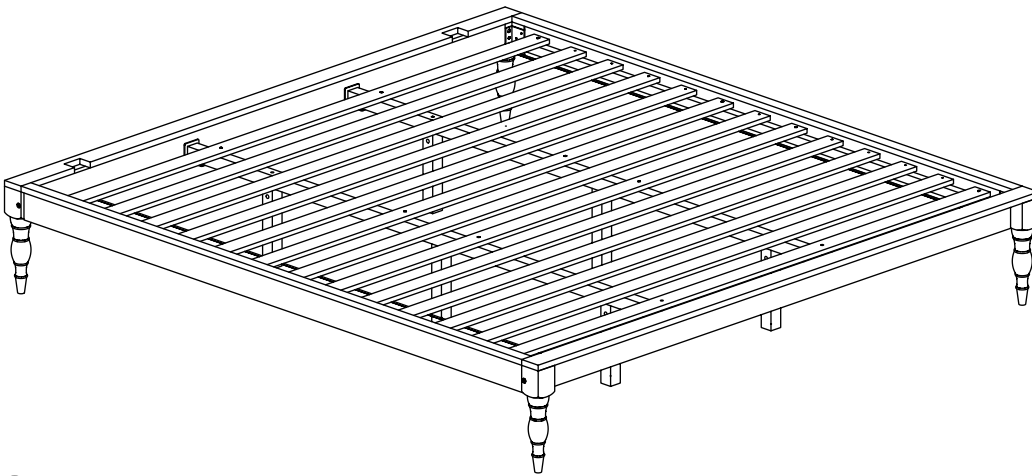


King Bed

Assembly Instructions

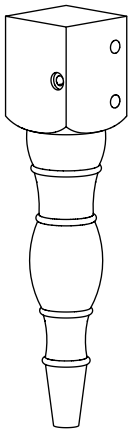
WII-0419

1 Assembled View

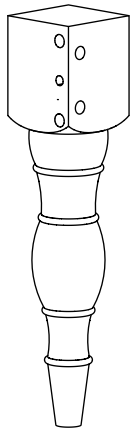


Note: Do not assemble using power tools. This can cause the bolts to be overtightened

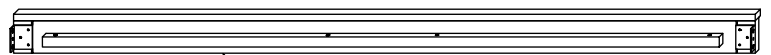
2 Parts List



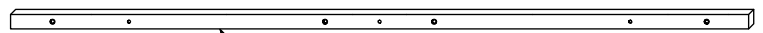
A
Post
(Left hand)
x 2



B
Post
(Right hand)
x 2



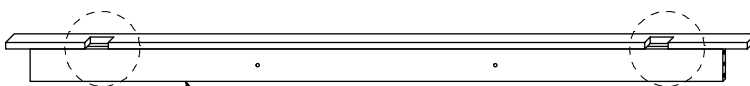
E Side Rail x 2



F Long Support x 2

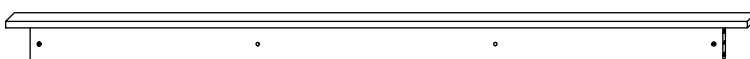


G Support Leg x 6

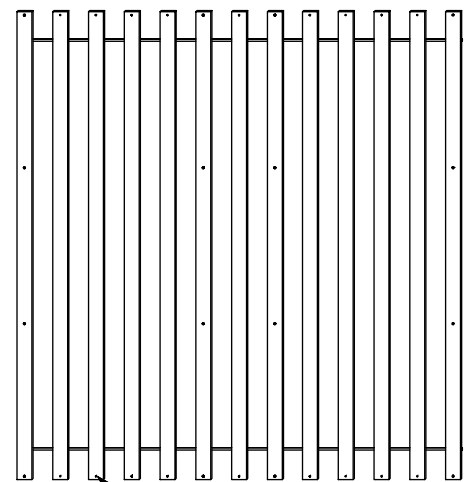


C Headboard Panel x 1

Extra Holes



D Footboard Panel x 1



H Set of Bed Slats x 1

0005 King Bed

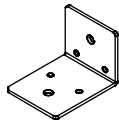
Assembly Instructions

W11-0419

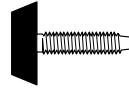
3 Hardware List



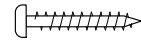
1 M4 Allen Key
x 1



2 Center Rail
Bracket x 4



3 Adjustable
Foot x 6



4 Wood Screw
(M4 x 32mm) x 18



5 Wood Dowel
(10 x 40mm) x 8



6 Barrel Nut
x 10



7 Spring Washer
x 12



8 Flat Washer
x 12



9 M6 x 15mm JCB
x 8



10 M6 x 20mm JCB
x 8



11 M6 x 40mm JCB
x 20

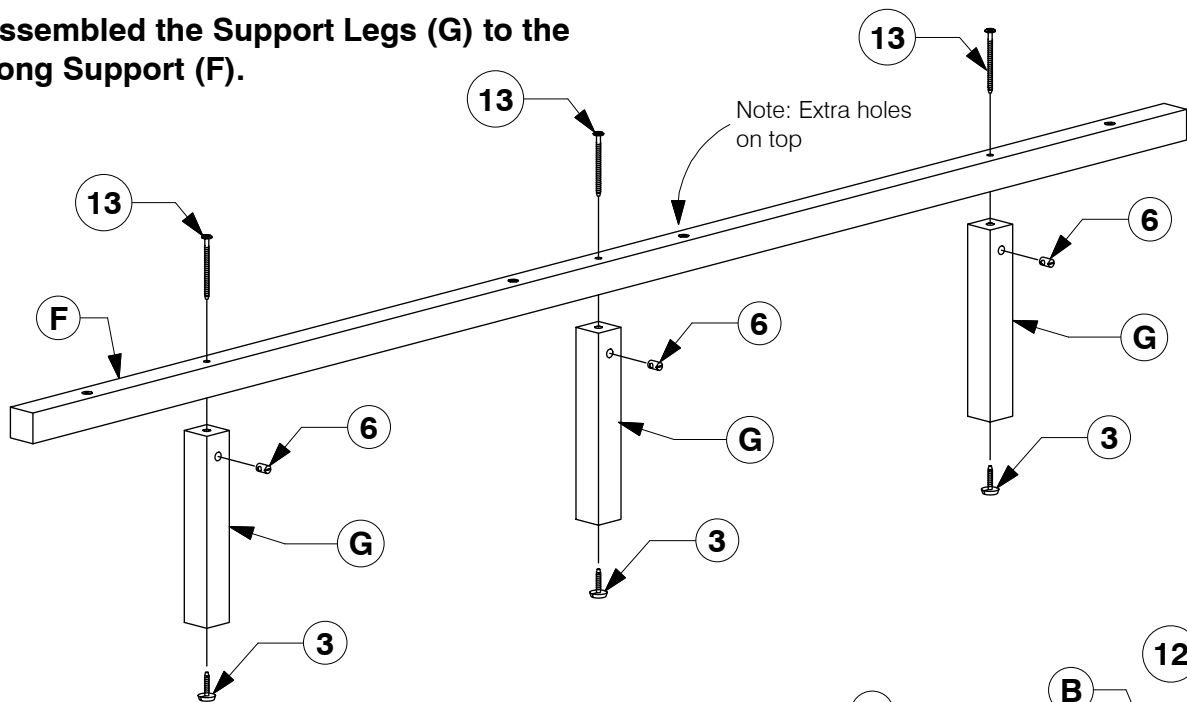


12 M6 x 100mm JCB
x 4

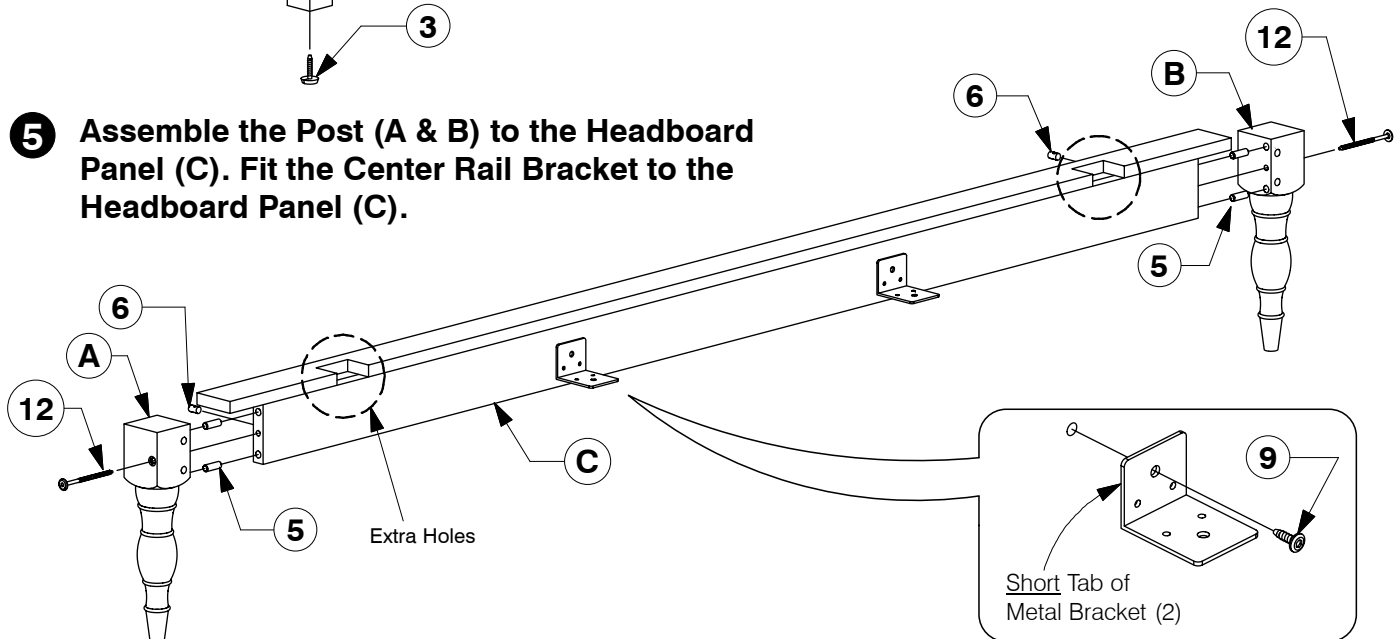


13 M6 x 90mm JCB
x 6

4 Assembled the Support Legs (G) to the Long Support (F).



5 Assemble the Post (A & B) to the Headboard Panel (C). Fit the Center Rail Bracket to the Headboard Panel (C).

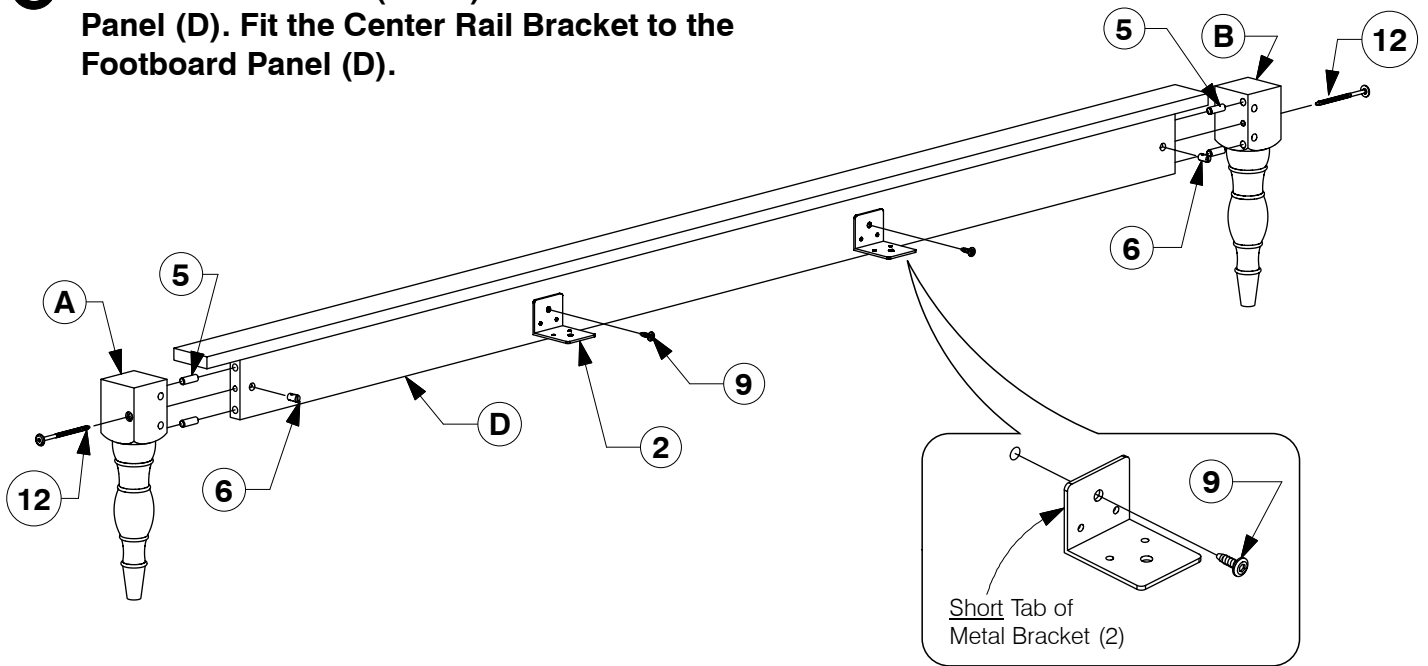


0005 King Bed

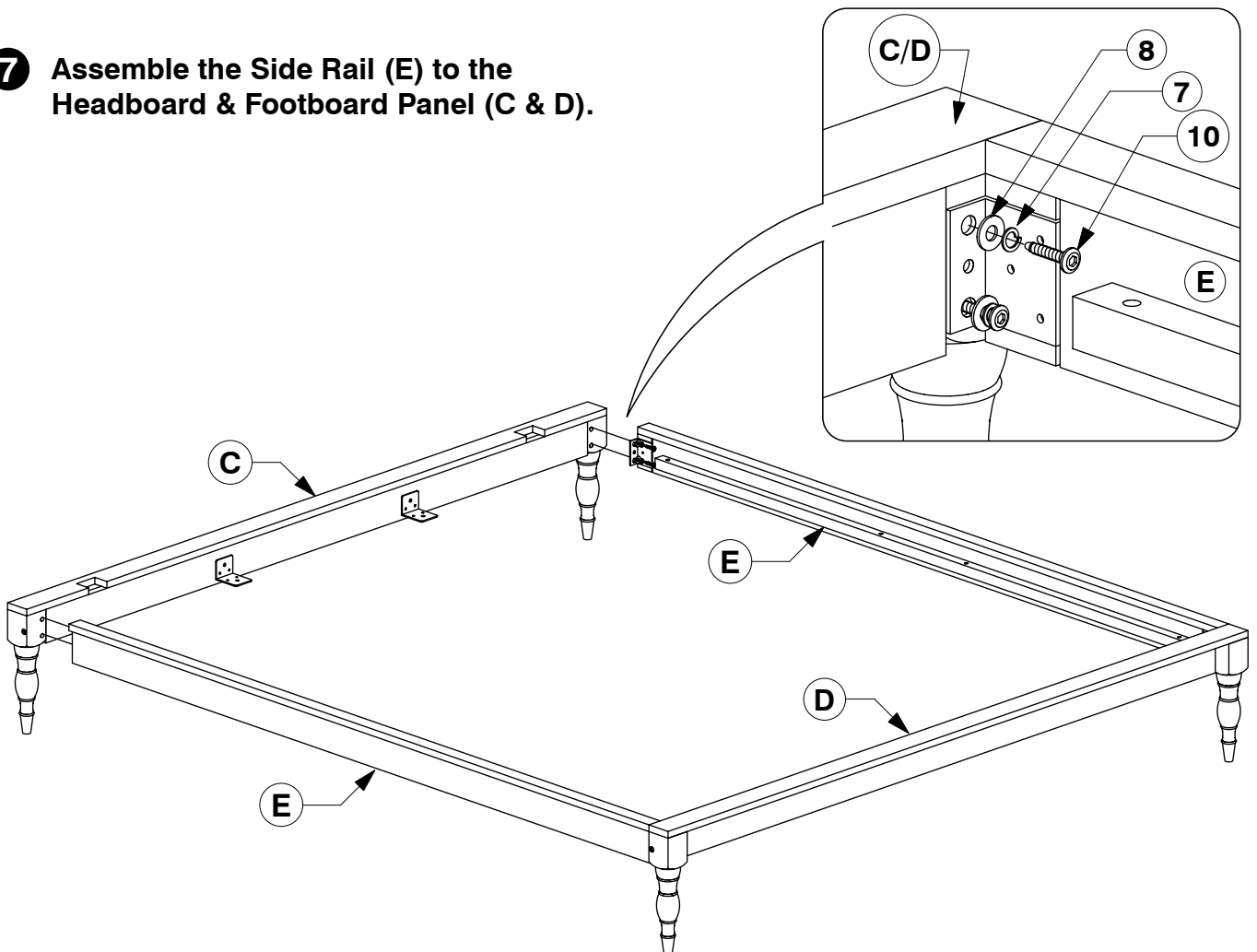
Assembly Instructions

WII-0419

- 6** Assemble the Post (A & B) to the Footboard Panel (D). Fit the Center Rail Bracket to the Footboard Panel (D).



- 7** Assemble the Side Rail (E) to the Headboard & Footboard Panel (C & D).

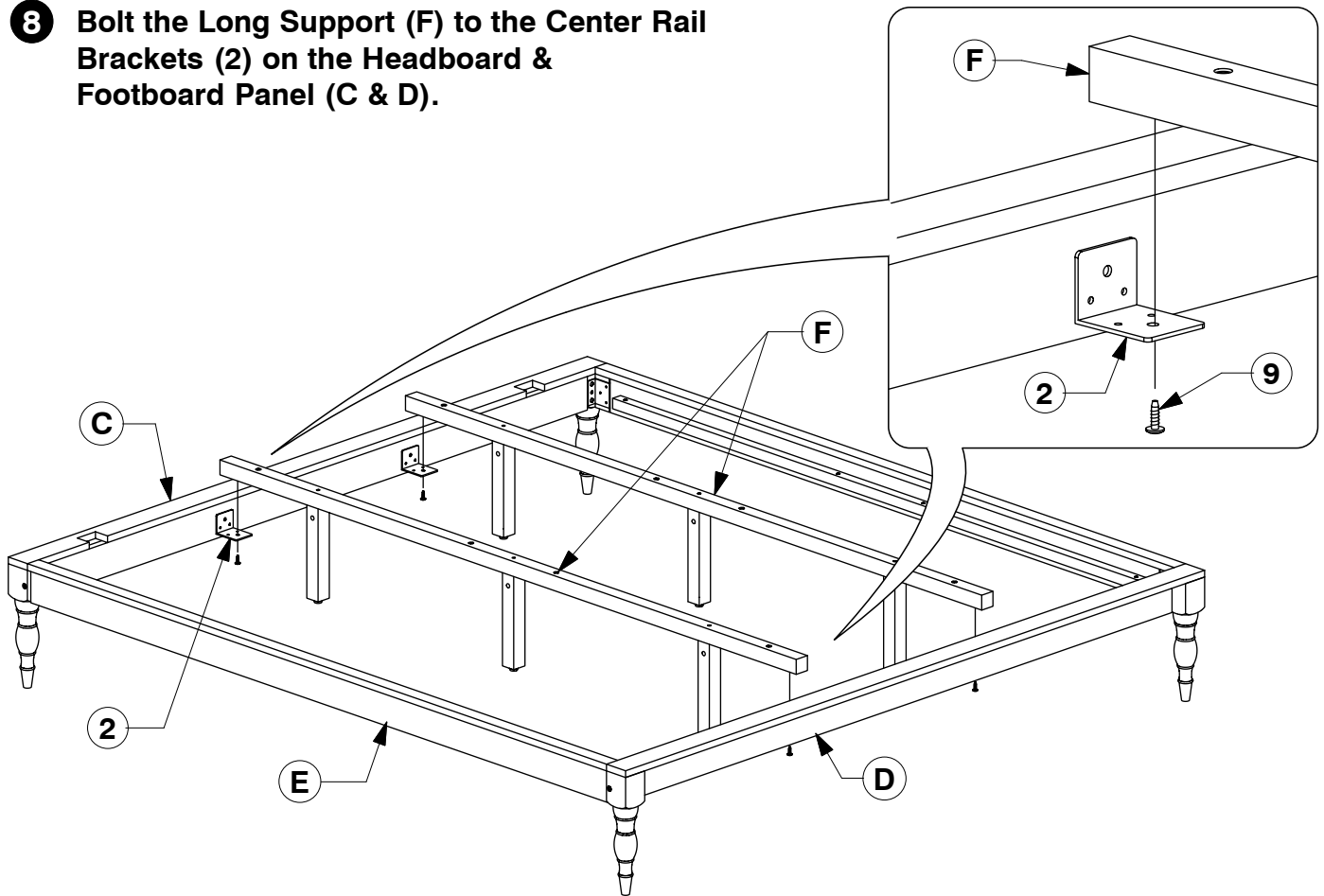


0005 King Bed

Assembly Instructions

WII-0419

- 8** Bolt the Long Support (F) to the Center Rail Brackets (2) on the Headboard & Footboard Panel (C & D).



- 9** Bolt & screw the Bed Slats (H) to the Side Rail (E).

