

ASSEMBLY INSTRUCTIONS

Read this instruction carefully. See hardware and furniture part list for guidance. Be sure all parts are complete, before you assemble. Place all wooden furniture parts on a clean and flat soft surface to prevent from being scratched. Follow the figure to start assembling.

- CAUTIONS :**
1. Do not FULLY - TIGHTEN the nut or nut bolt until all nut or bolt is ready assembled.
 2. Do not OVER - TIGHTEN the nut or bolt to avoid causing damages to the thread.
 3. Keep all hardware parts out of reach of children.
 4. Strictly no power drill to assemble. Use only the screwdrivers for installation to protect the wood frame.

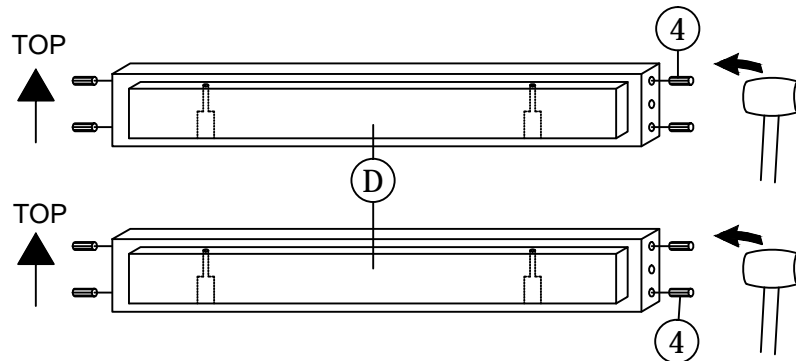
NOTE : THE LIST AND QUANTITY SHOWN ARE FOR 1 UNIT ASSEMBLY.

Tool needed : Screwdriver & Rubber Mallet (not provider).

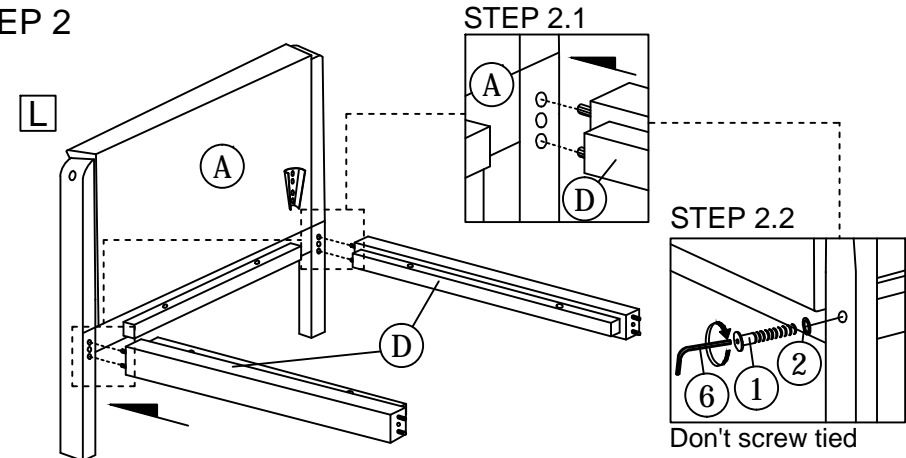
| PART LIST | | |
|-----------|--------------|-------|
| ITEM | DESCRIPTION | QTY |
| A | ARM (L&R) | 2 PCS |
| B | BACK | 1 PC |
| C | CUSHION SEAT | 1 PC |
| D | SUPPORT RAIL | 2 PCS |
| E | BOARD | 1 PC |
| F | CUSHION BACK | 1 PC |

| HARDWARE LIST | | |
|---------------|---------------------------|-------|
| ITEM | DESCRIPTION | QTY |
| 1 | JCBB BOLT M8 x 40mm | 4 PCS |
| 2 | M8 SPRING WASHER | 4 PCS |
| 3 | WOOD SCREW M4 x 32mm | 8 PCS |
| 4 | WOOD DOWEL M10 x 30mm | 8 PCS |
| 5 | WOOD BUTTON DIA 18.5mm | 4 PCS |
| 6 | M5 ALLEN KEY (BALL SHAPE) | 1 PC |

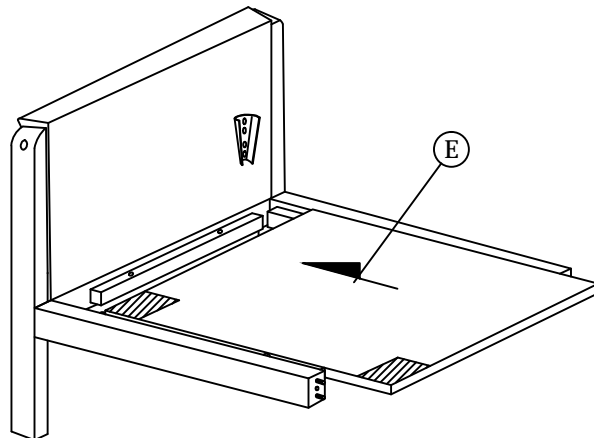
STEP 1



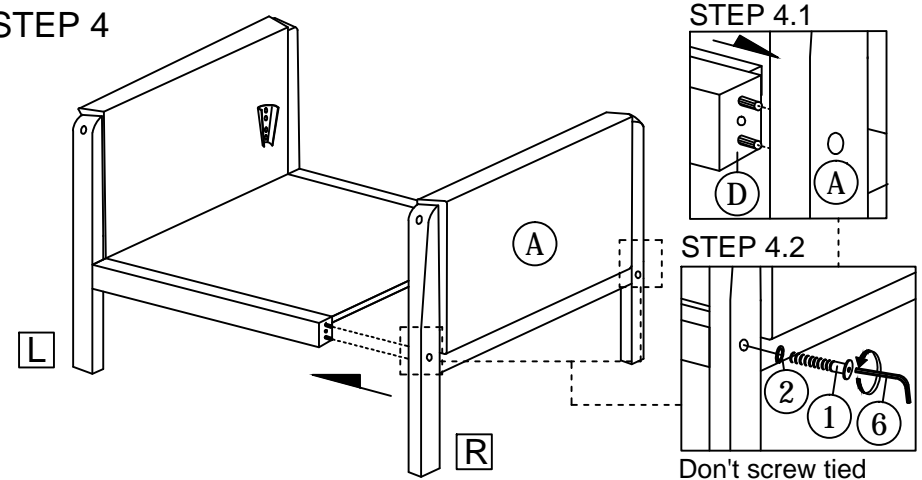
STEP 2



STEP 3

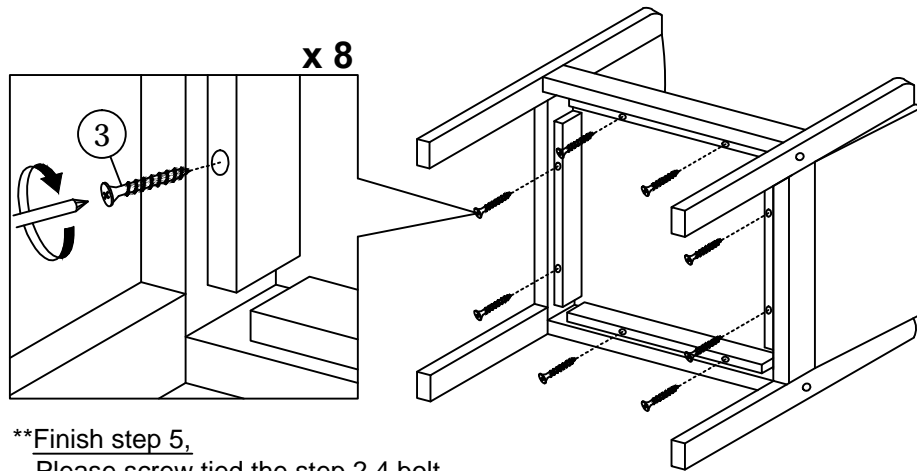


STEP 4



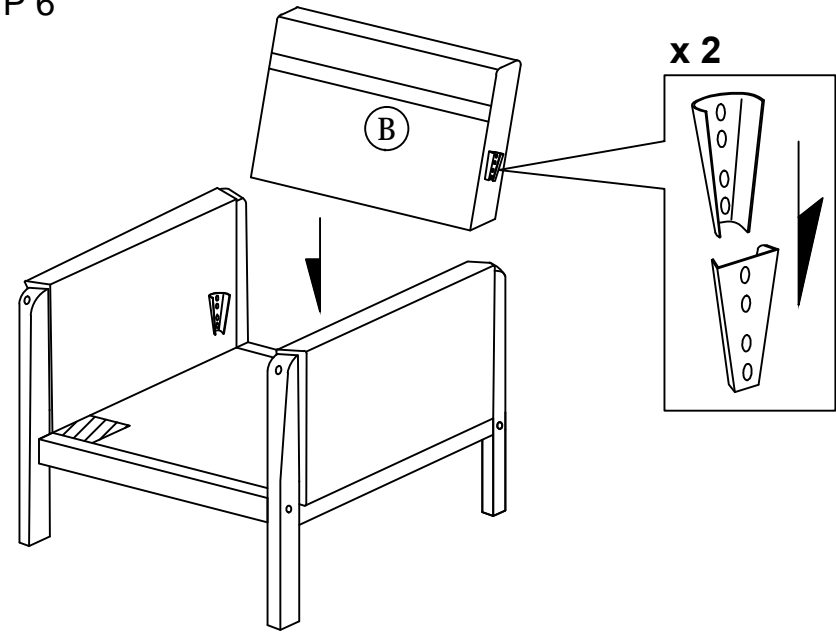
ASSEMBLY INSTRUCTIONS

STEP 5

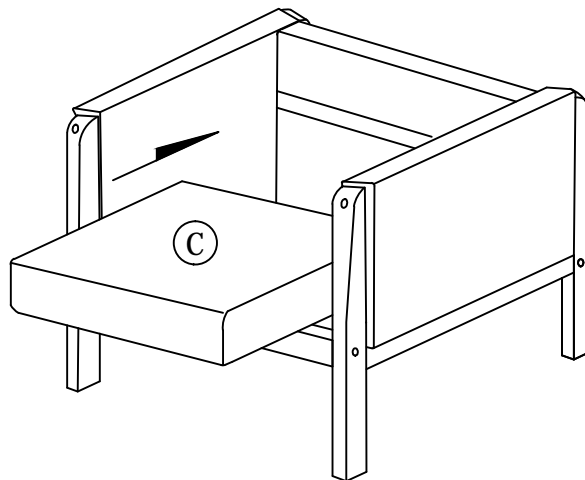


**Finish step 5,
Please screw tied the step 2,4 bolt.

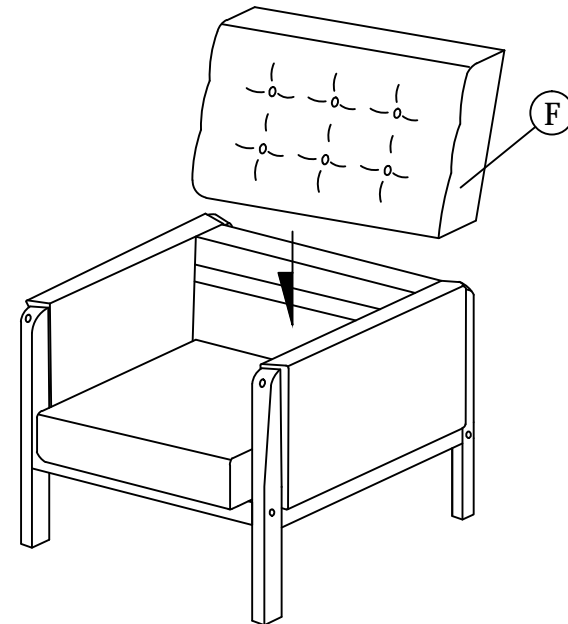
STEP 6



STEP 7



STEP 8

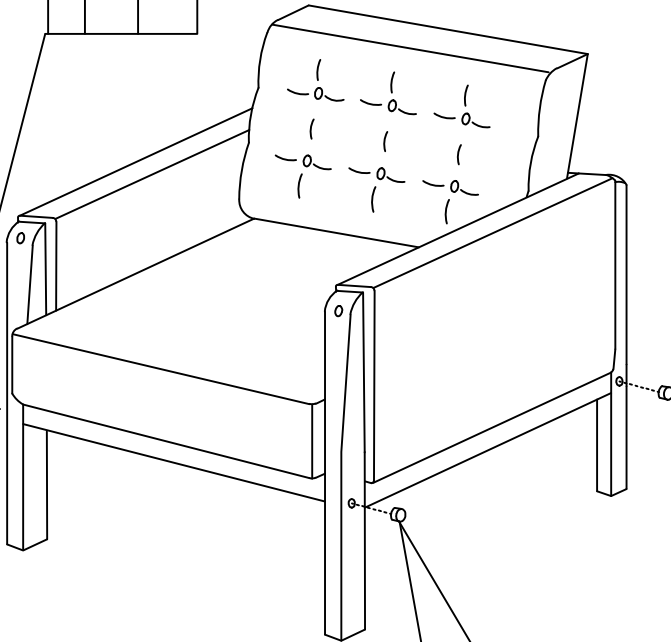
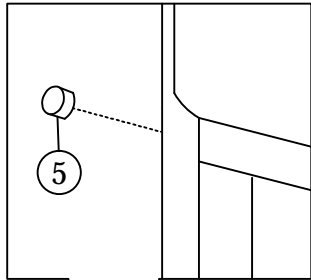


ASSEMBLY INSTRUCTIONS

STEP 9

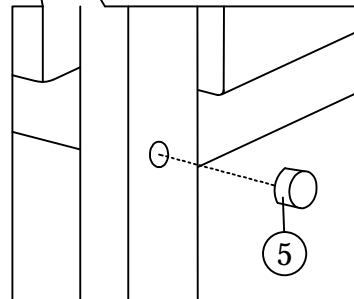
STEP 9.1

x 2



STEP 9.2

x 2



STEP 10

