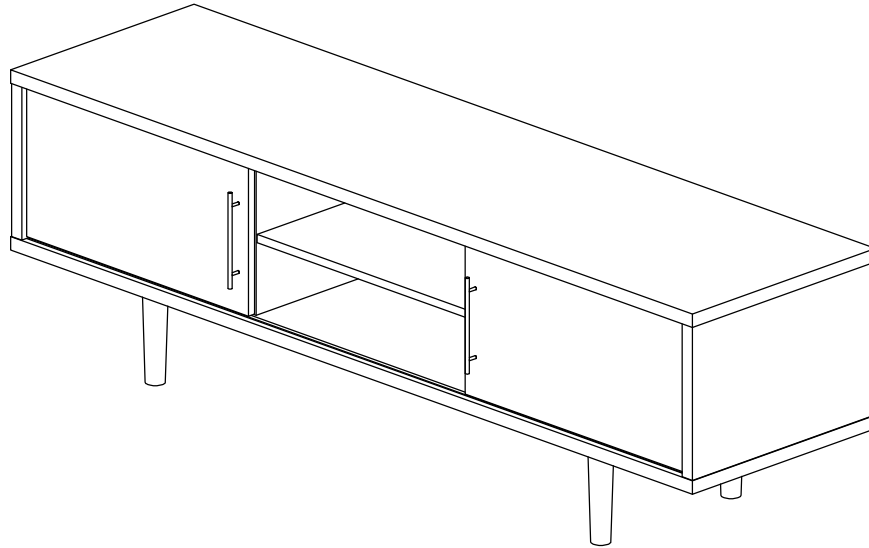
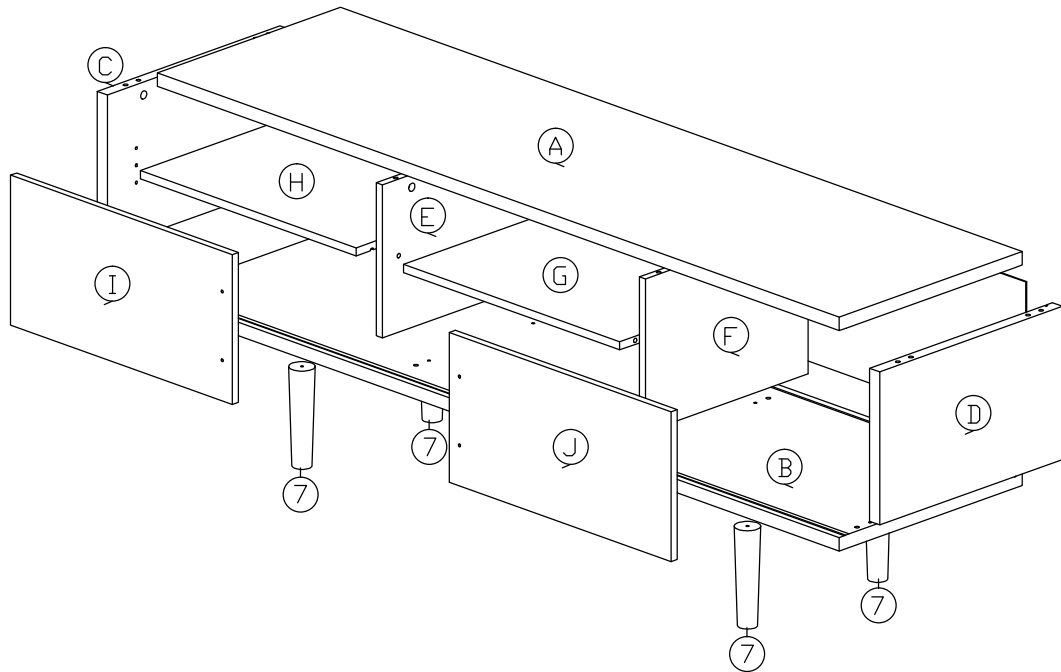


Assembly Instruction


Model : WI5483



Part List

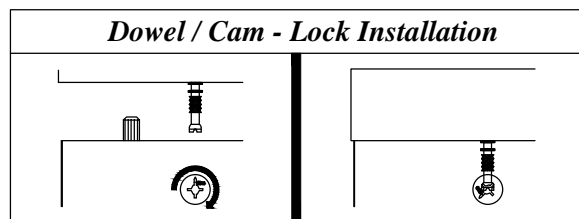


Hardware List

No.	SHAPE	DESCRIPTION	Qty.
1		8x25mm Wood Dowel	20Pcs
2		15MM Titus Mini Fix	8Sets
3		M4x50mm Screw	8Pcs
4		Shelf Support	4Pcs
5		Bar Handle 128mm M3.6x24mm Handle Screw	2Sets

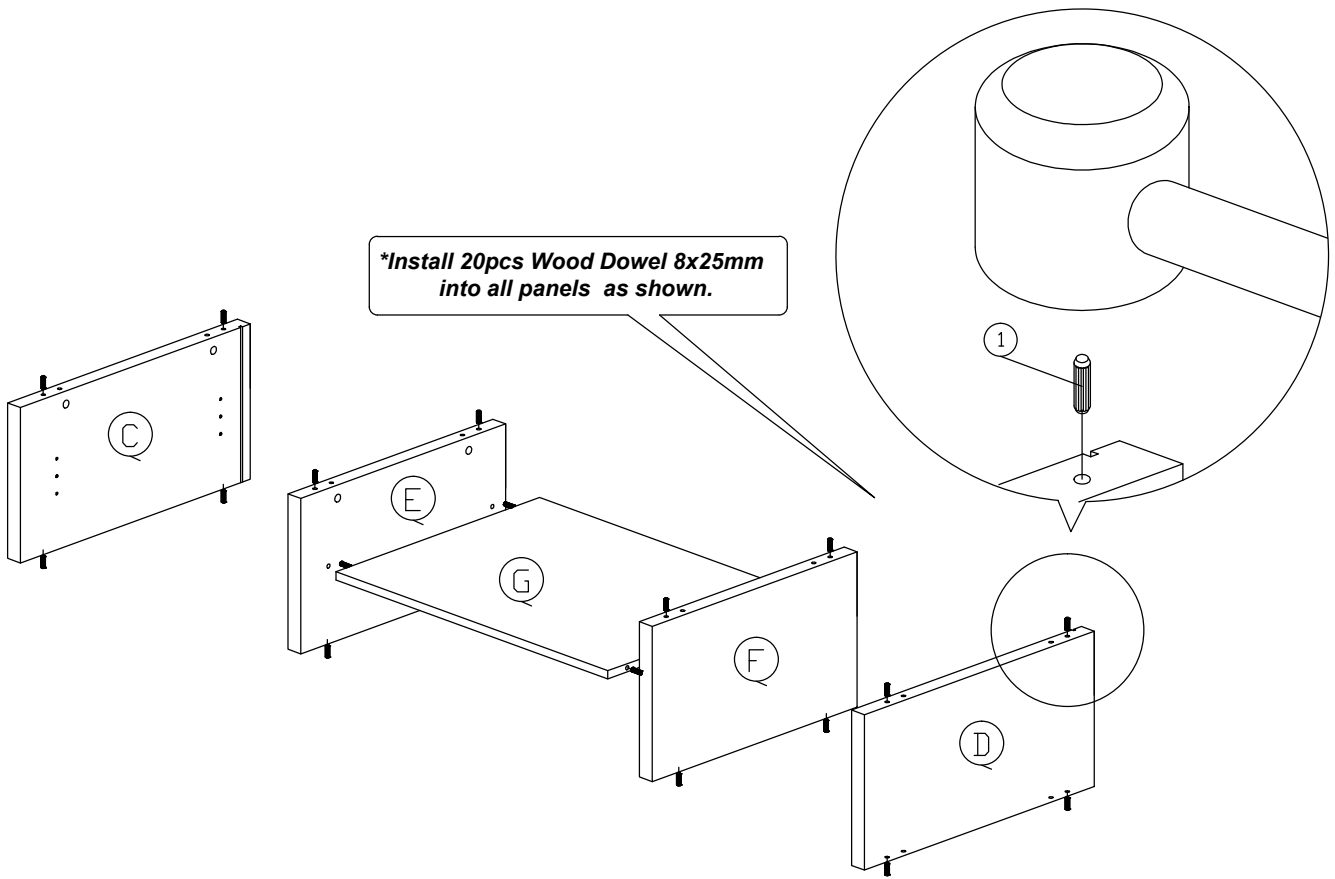
6		Nail	6Pcs
7		Wooden Leg 185mm H with M6 X 15mm Screw	4Pcs
8		15mm Minifix Cap	4Pcs
9		15mm Minifix Cap (Hole)	4Pcs

Dowel / Cam - Lock Installation

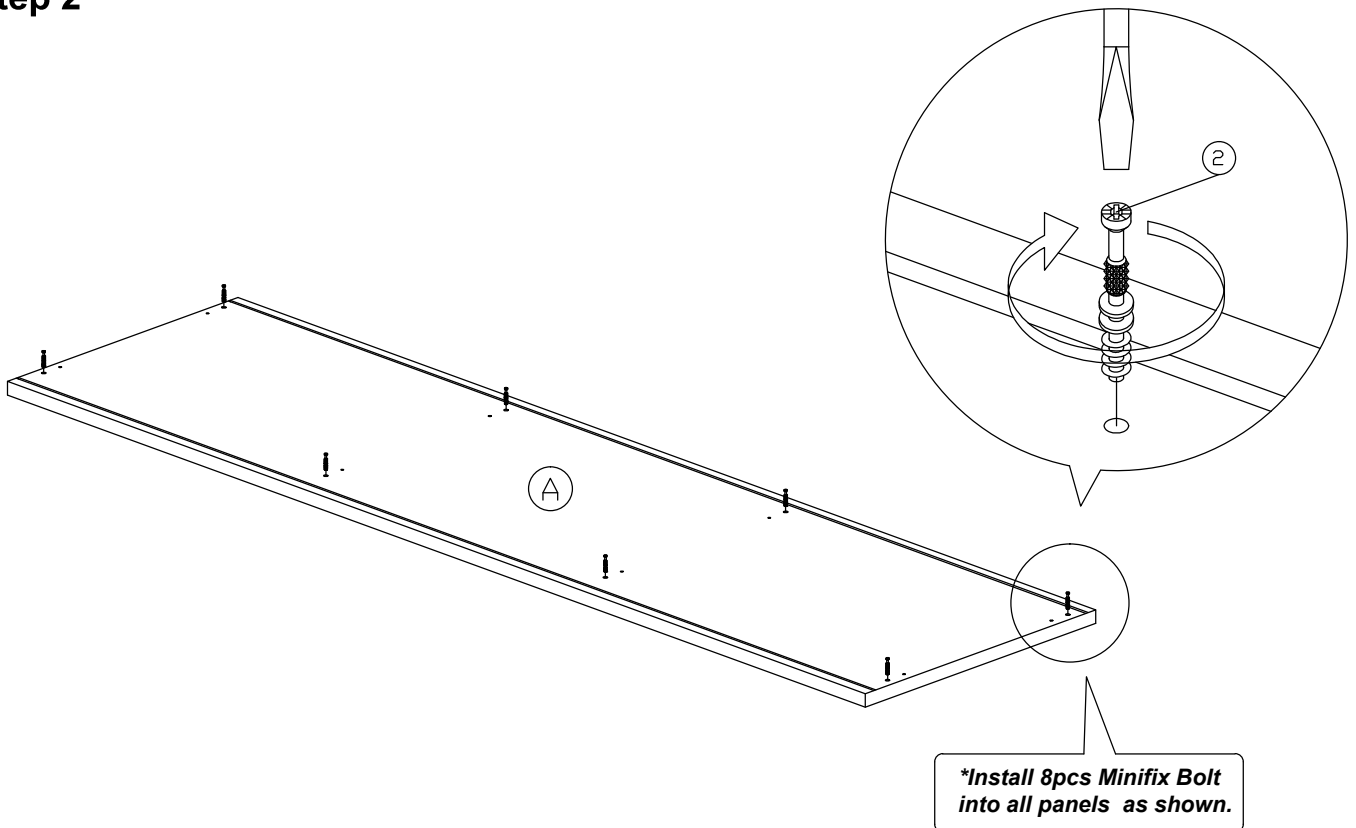


Assembly Instruction

Step 1

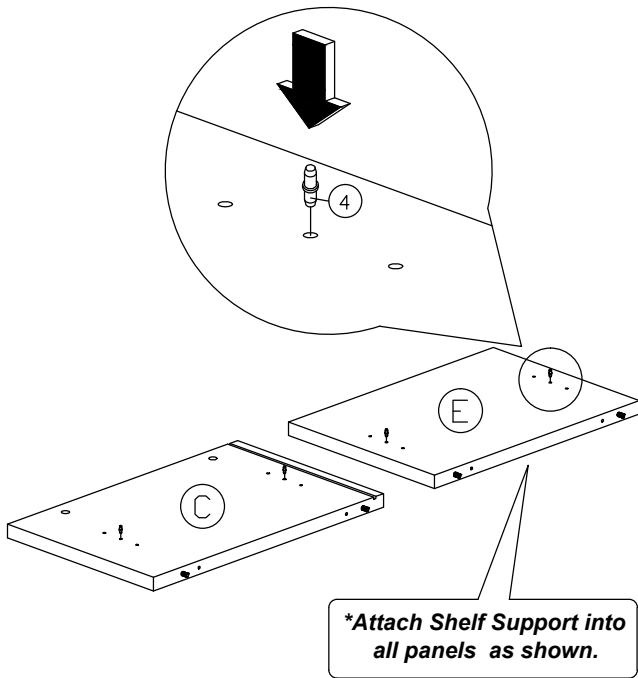


Step 2

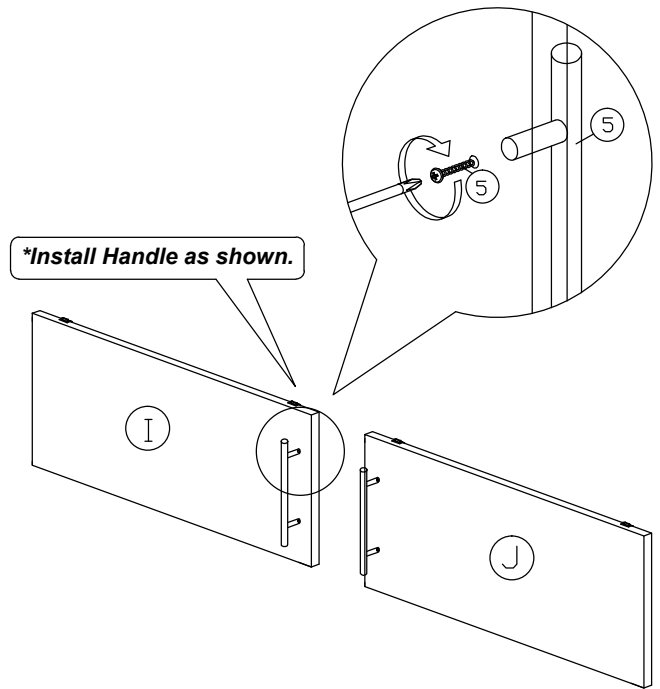


Assembly Instruction

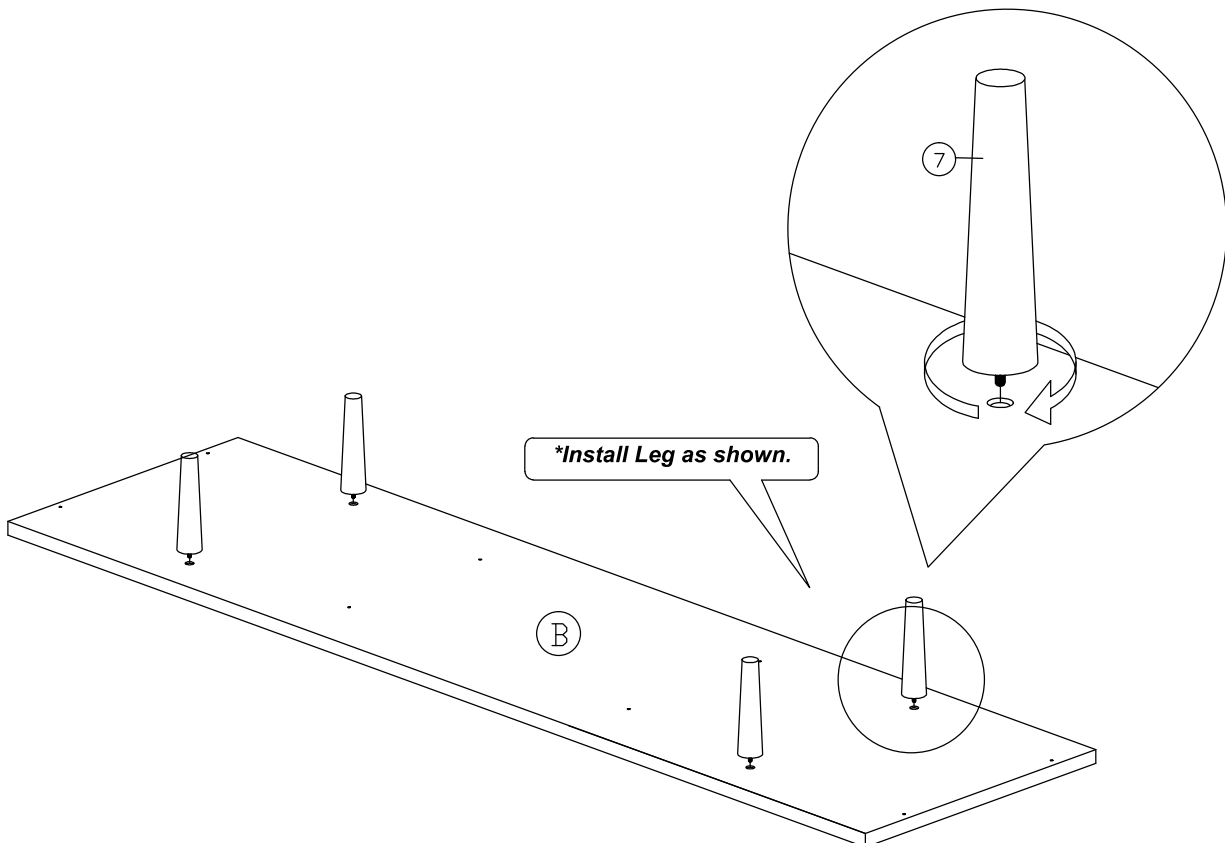
Step 3



Step 4

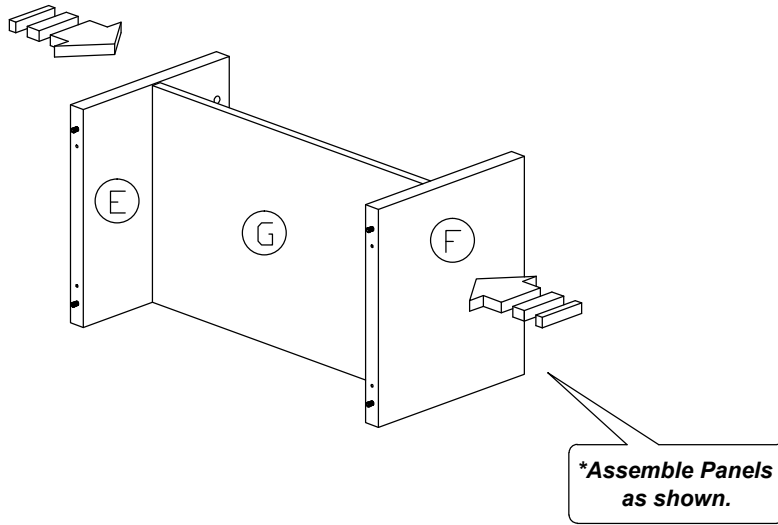


Step 5

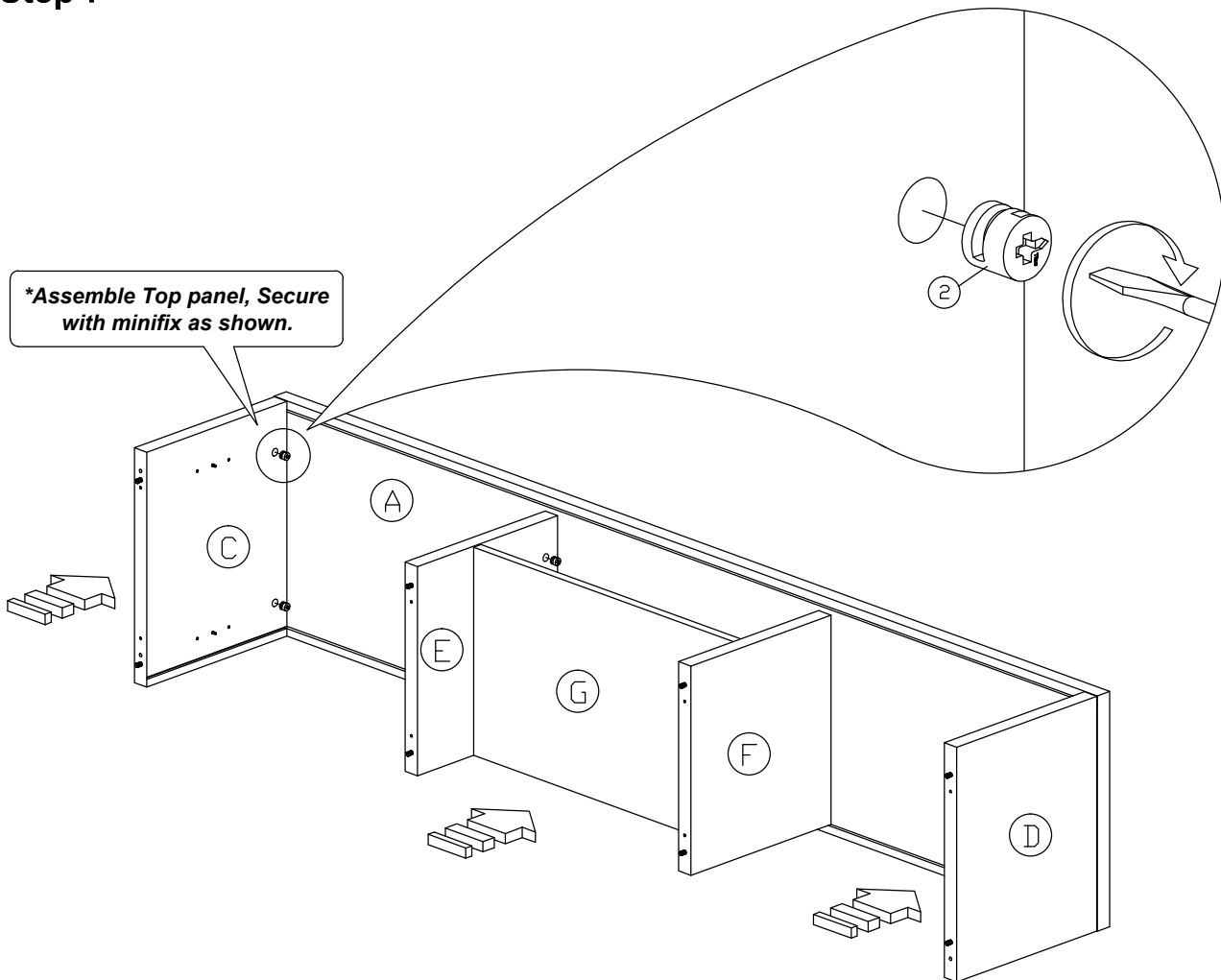


Assembly Instruction

Step 6

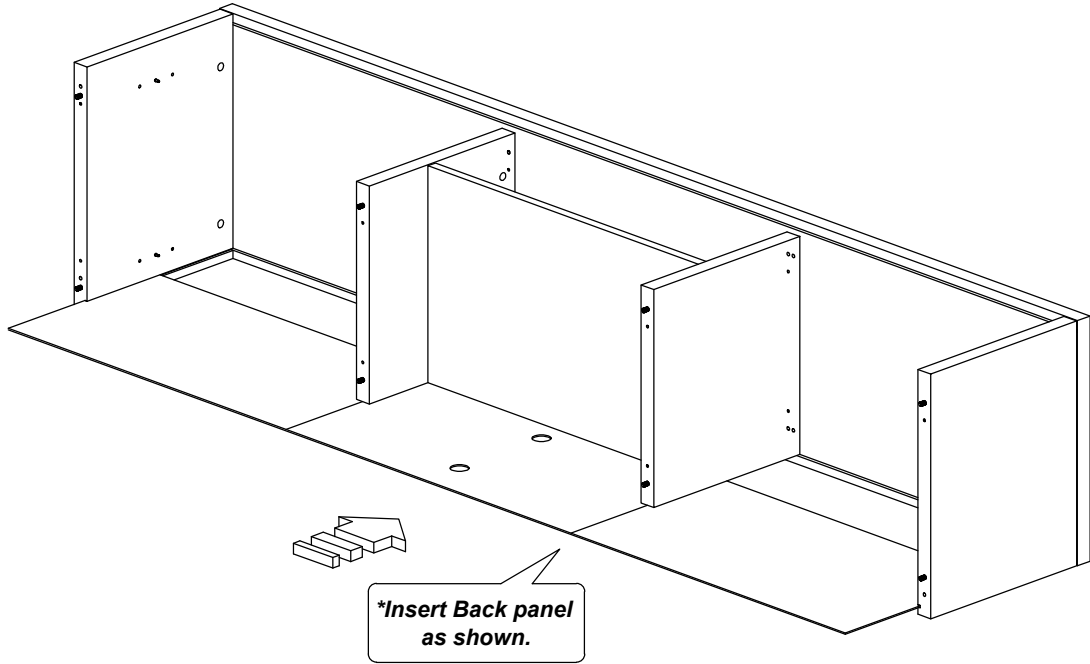


Step 7

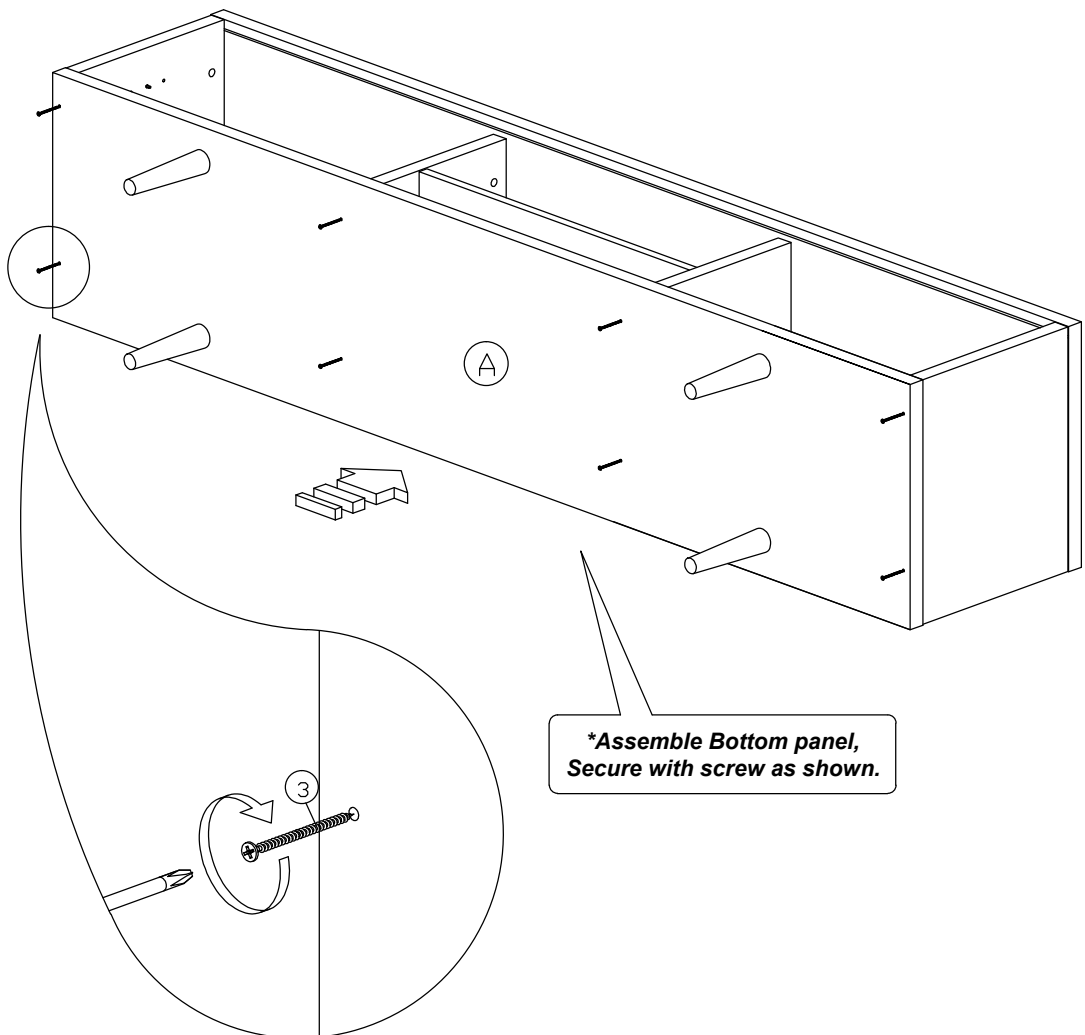


Assembly Instruction

Step 8

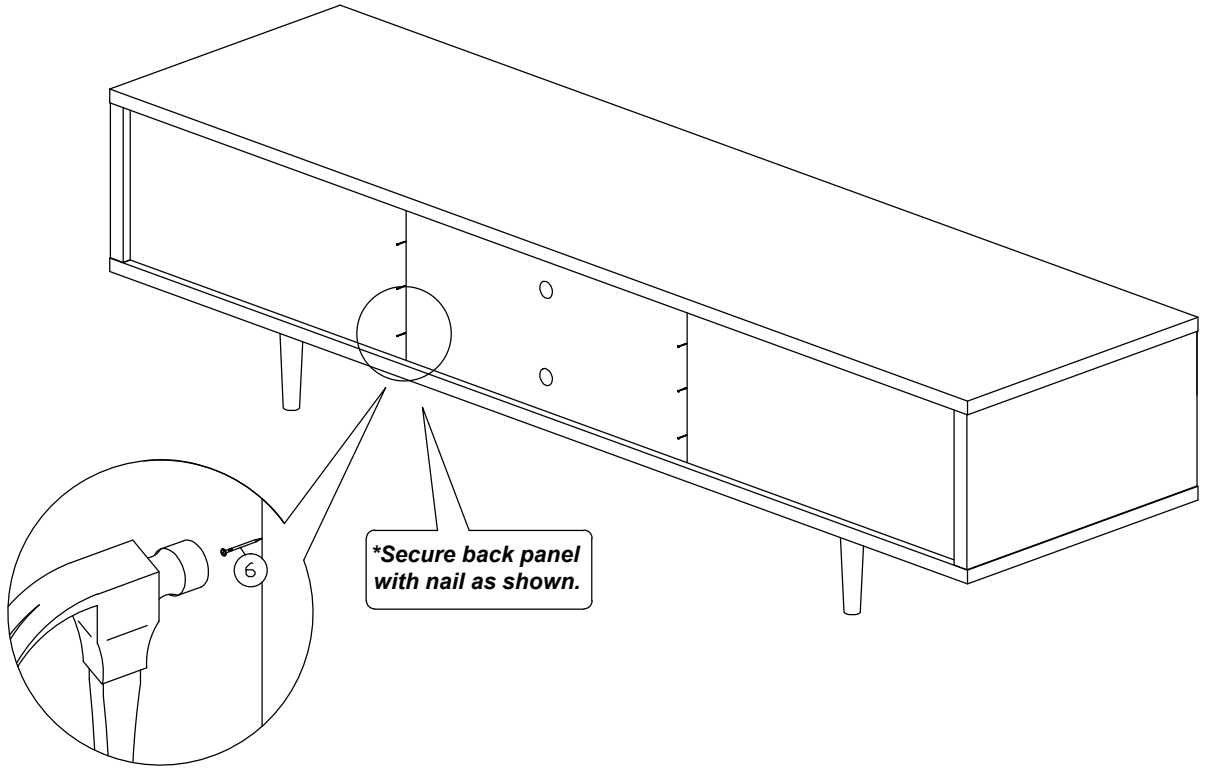


Step 9

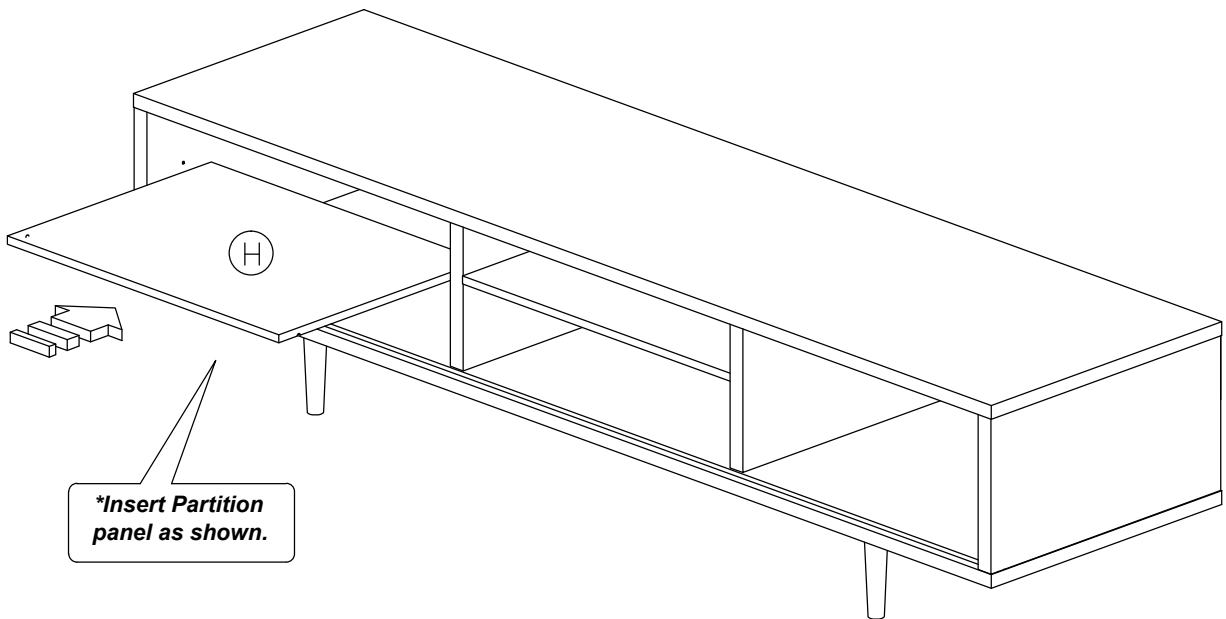


Assembly Instruction

Step 10



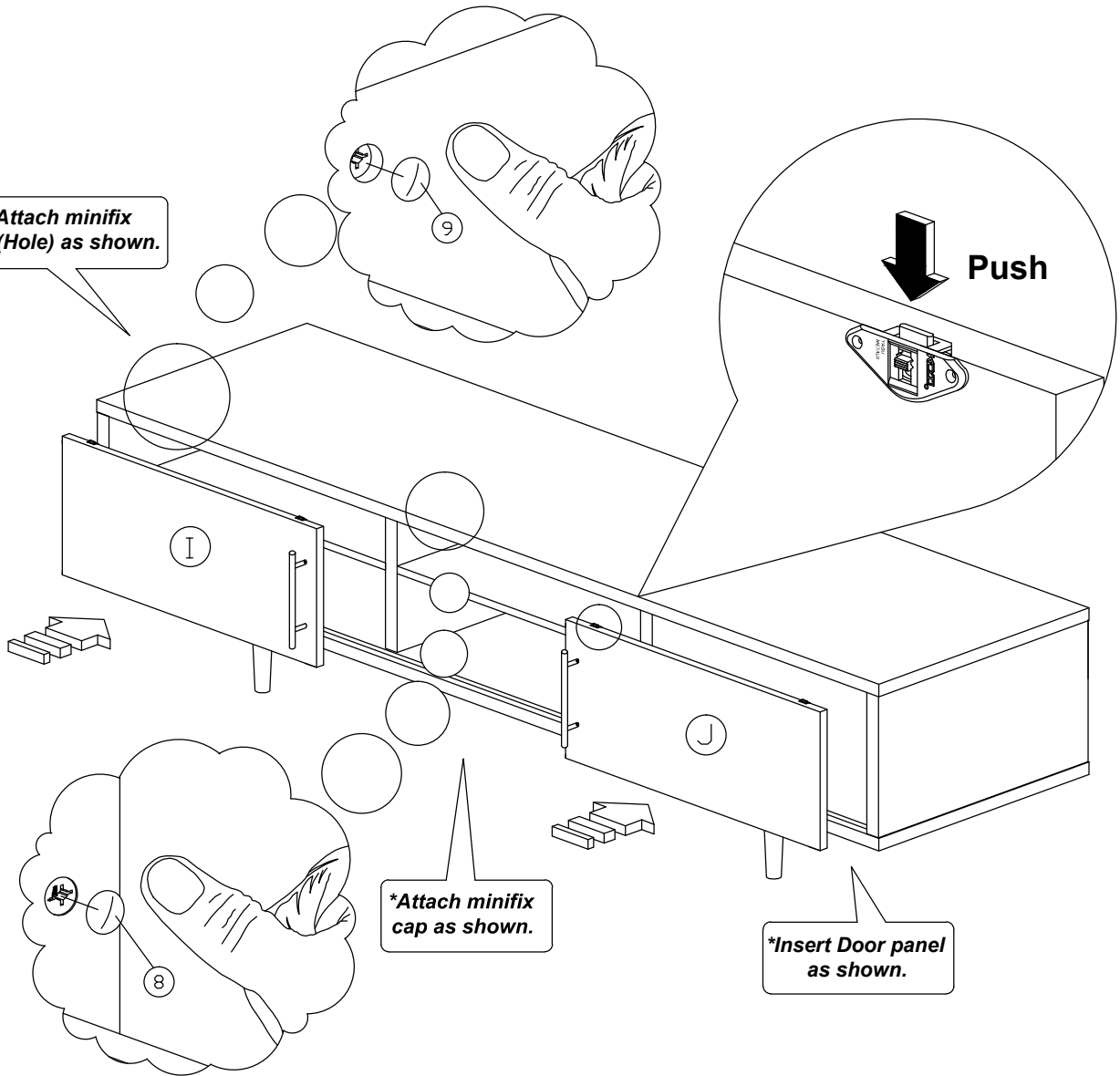
Step 11



Assembly Instruction

Step 12

**Attach minifix cap(Hole) as shown.*



**Attach minifix cap as shown.*

**Insert Door panel as shown.*