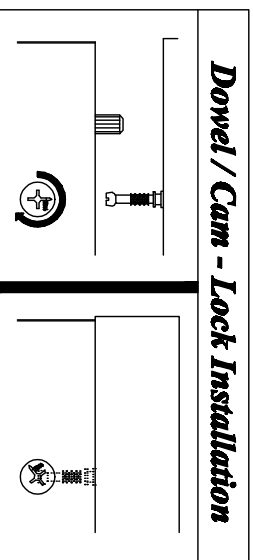
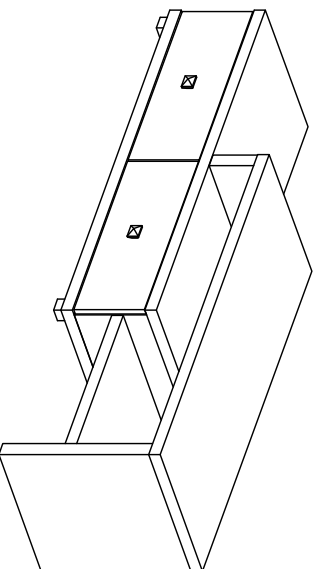


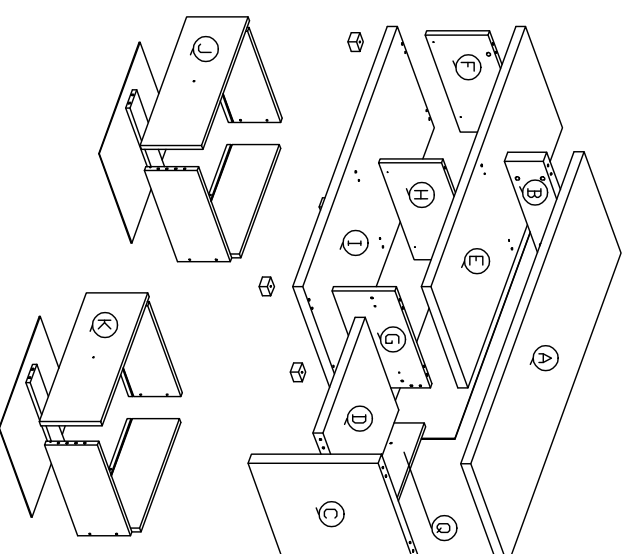
Assembly Instruction

Model : V - 2DWTV

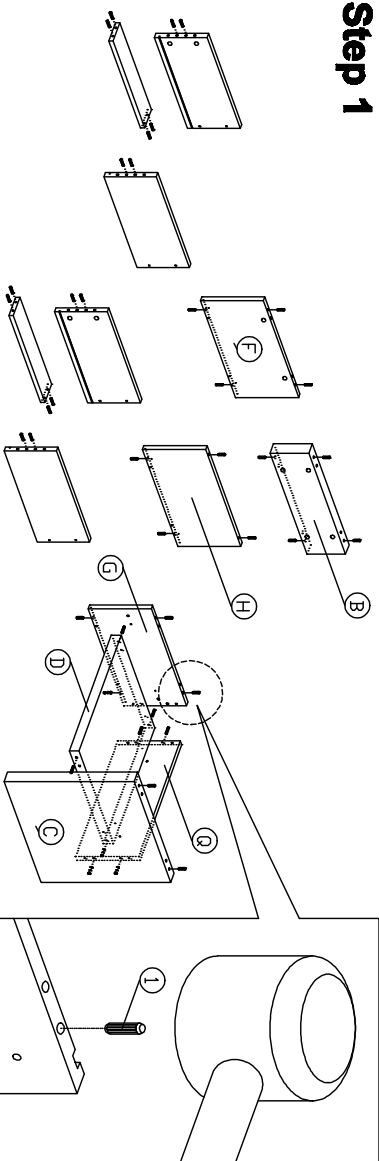


Hardware List			
No.	SHAPE	DESCRIPTION	Qty.
1		8x25mm Dowel	42Pcs
2		15MM Mini Fix	24Sets
3		M3.5x12mm Screw	16Pcs
4		M4x38mm Screw	8Pcs
5		FH M5x38mm Screw	9Pcs
6		M4x50mm Screw	6Pcs
7		Nail	16Pcs
8		Handle (9946)	2Sets
9		M4x30mm Handle Screw	2Sets
10		Drawer Slide (350mm)	2Sets
11		Sticker	5Pcs
		15MM Mini Fix Cap	6Pcs

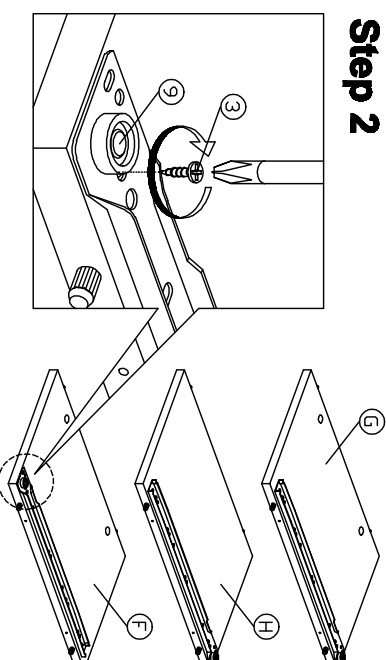
Part List



Step 1

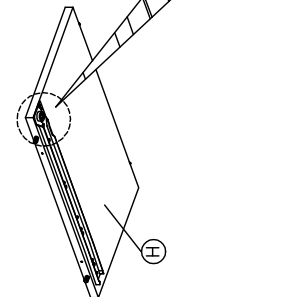
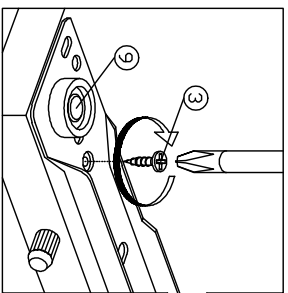


Step 2

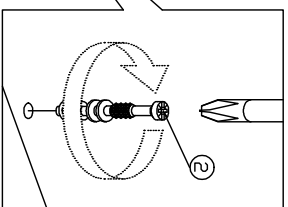
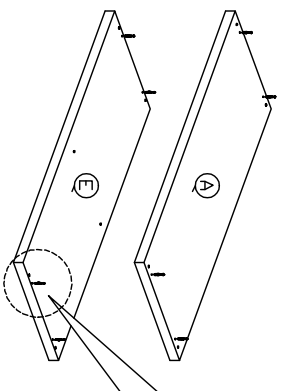


Assembly Instruction

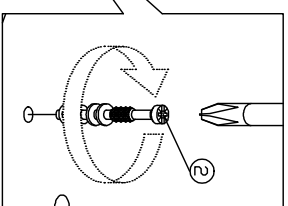
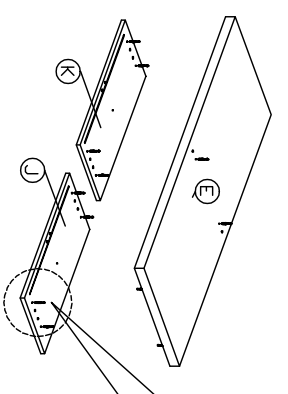
Step 3



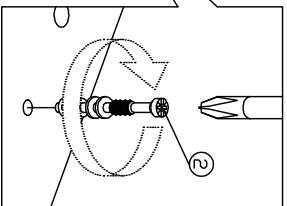
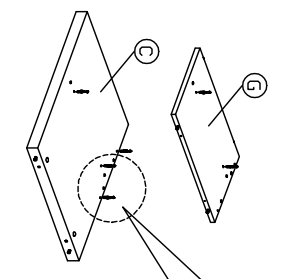
Step 4



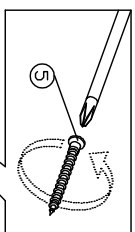
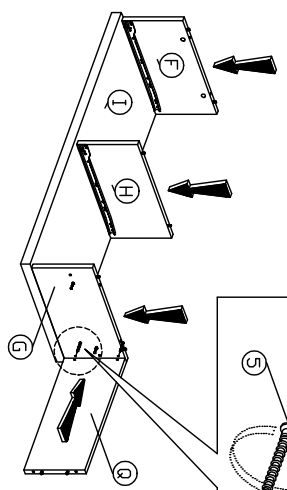
Step 5



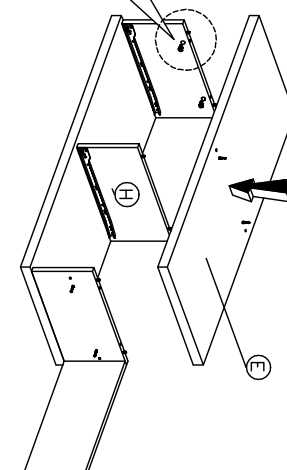
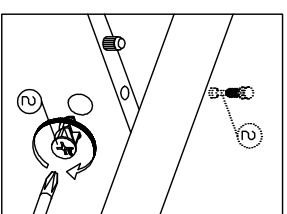
Step 6



Step 7

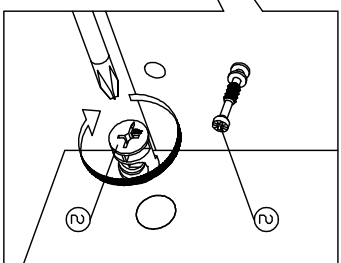
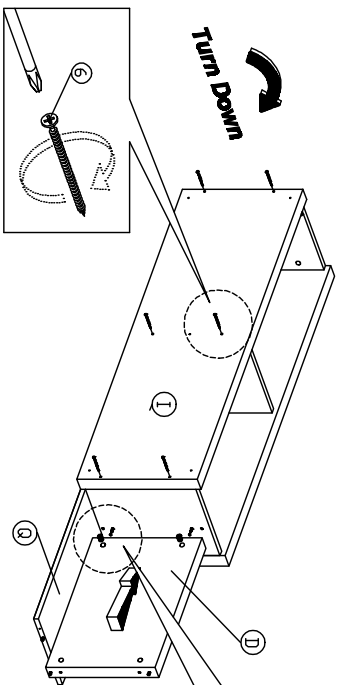


Step 8

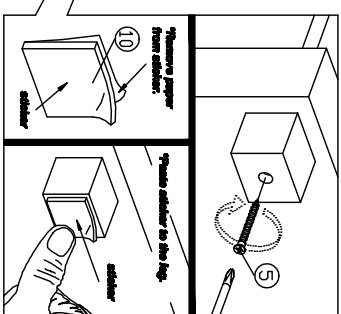
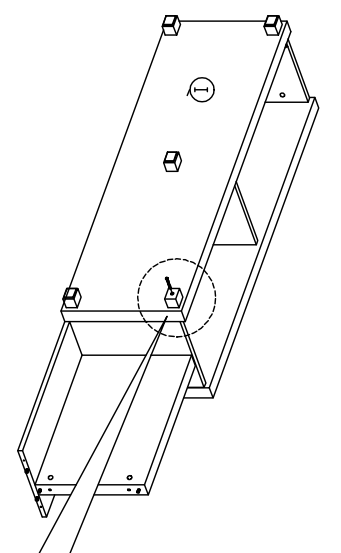


Step 9

Turn Down

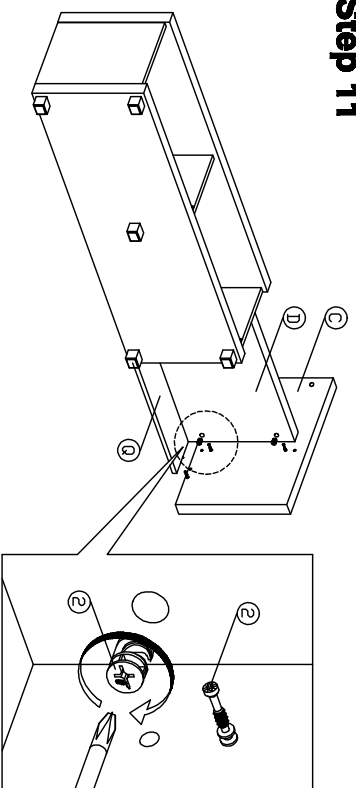


Step 10

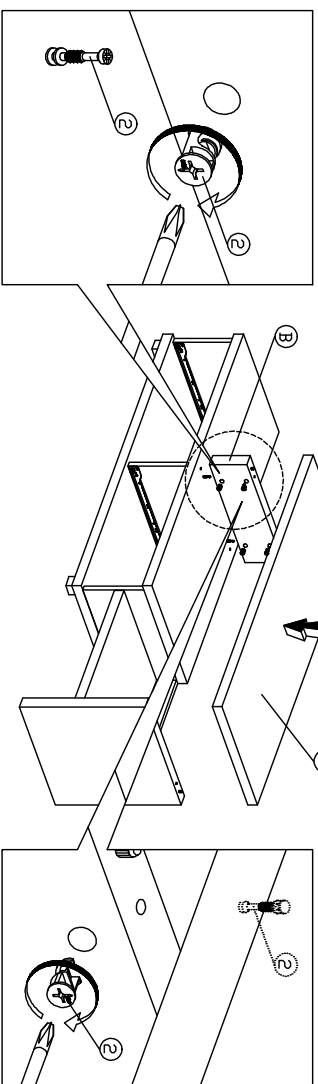


Assembly Instruction

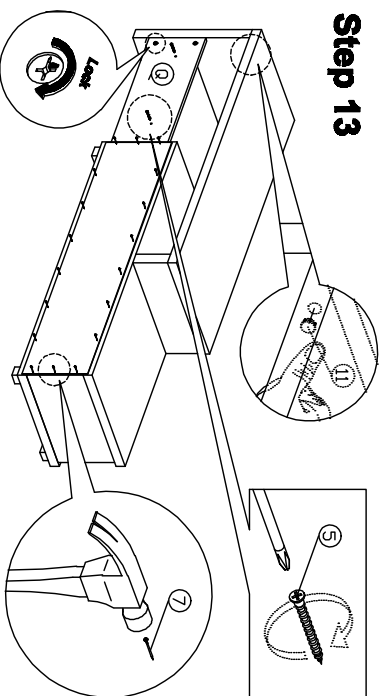
Step 11



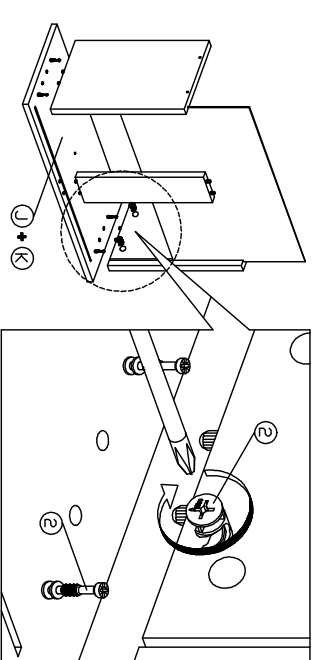
Step 12



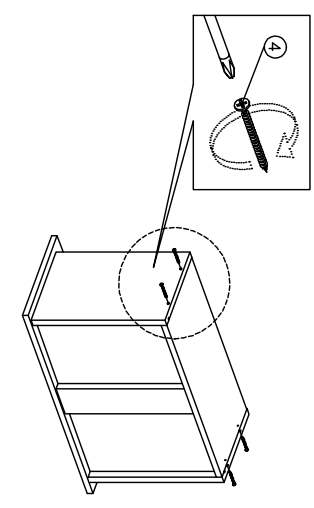
Step 13



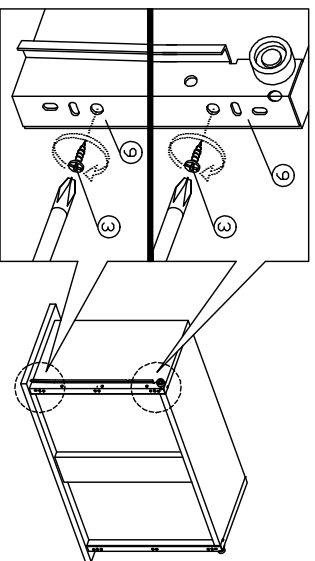
Step 14



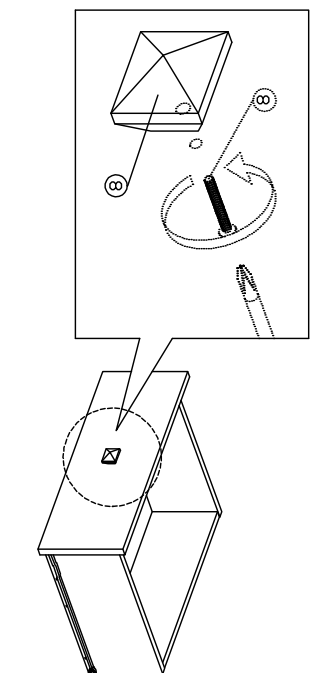
Step 15



Step 16



Step 17



Complete

