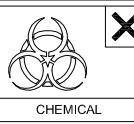
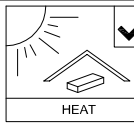




SOFT, DRY CLOTH



CHEMICAL



HEAT



KEEP DRY



HANDLE WITH CARE



DO NOT USE KNIFE

ASSEMBLY INSTRUCTION

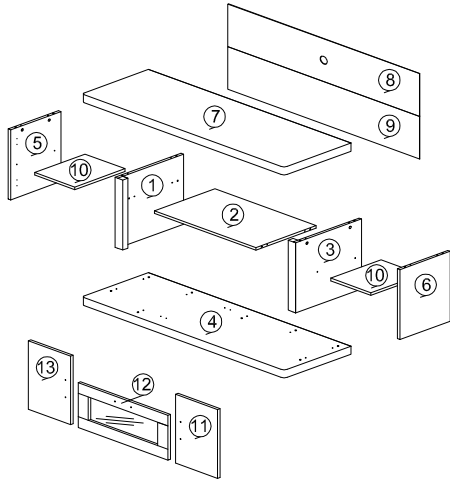
MODEL : TV 838074

DESCRIPTION : TV CABINET

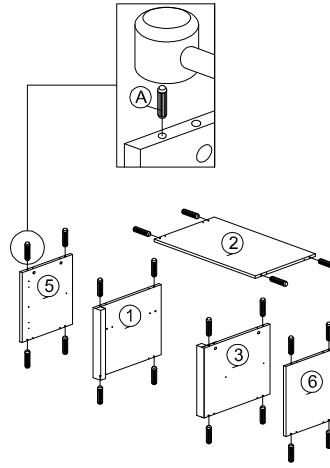
HARDWARE

A WOOD DOWEL 8 X 25 1X20	B CB SCREW M3.5X16MM 1X30	C CB SCREW M4X38MM 1X20	D CB SCREW M4X65MM 1X4	E NAIL 5/8 1X45	F L KEY 1X1	G METAL SHELF SUPPORT 1X8	H H1 MINIFIX 5654+5646 12 SETS	H2 MINIFIX 5654+5646 12 SETS	I MINIFIX CAP 1X12	J J1 HANDLE 525-96MM (METAL) 1X3	J2 HANDLE SCREW M4X22M 1X6	K HINGES 5/8 4 SETS	L HINGES 7/8 2 SETS	M WOOD LEG 98X98X45MM 1X5	N MIRROR BRACKET 1X6
--	---	---	--	----------------------------------	------------------------------	--	--	--	-------------------------------------	---	--	--------------------------------------	--------------------------------------	---	---------------------------------------

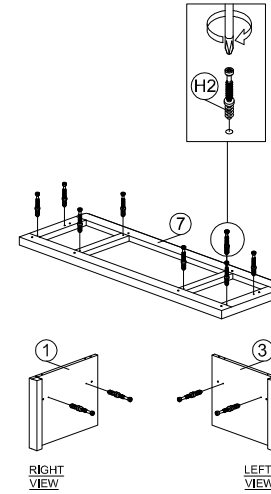
PART LIST



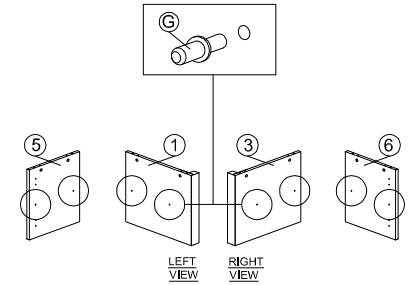
STEP 1



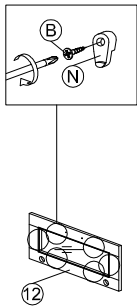
STEP 2



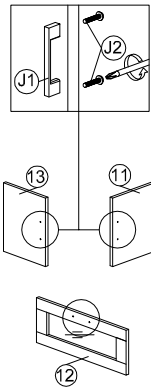
STEP 3



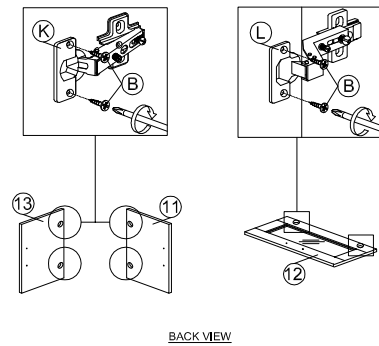
STEP 4



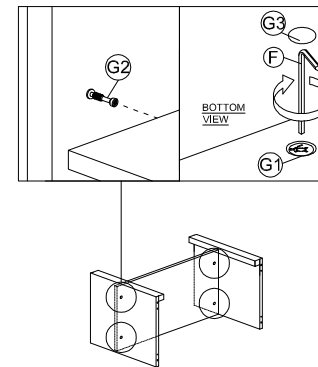
STEP 5



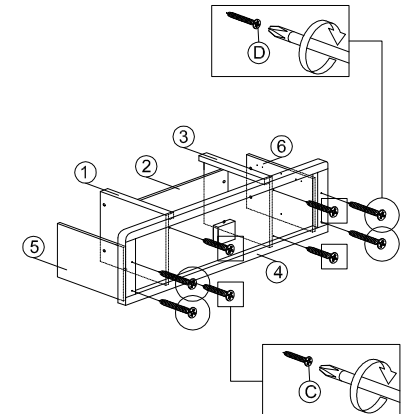
STEP 6



STEP 7

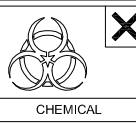


STEP 8

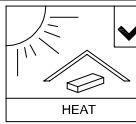




SOFT, DRY CLOTH



CHEMICAL



HEAT



KEEP DRY



HANDLE WITH CARE



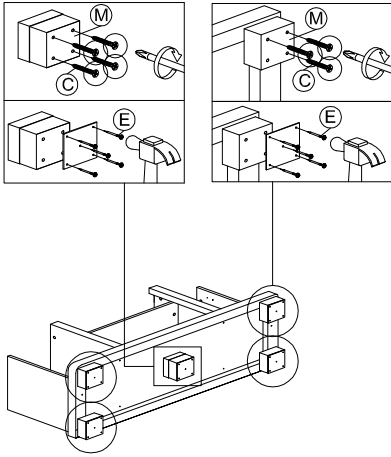
DO NOT USE KNIFE

ASSEMBLY INSTRUCTION

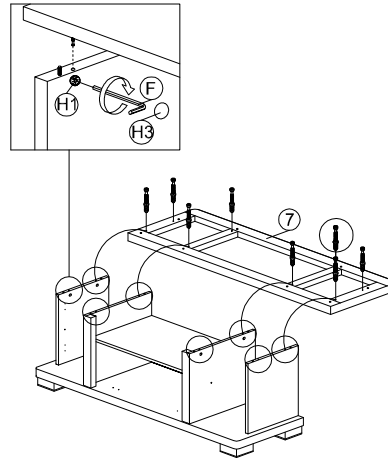
MODEL : TV 838074

DESCRIPTION : TV CABINET

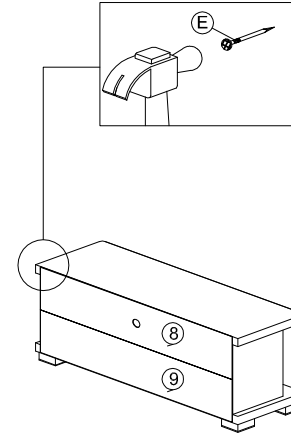
STEP 9



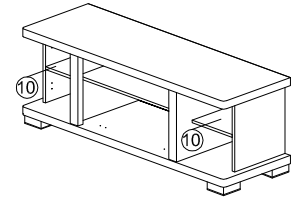
STEP 10



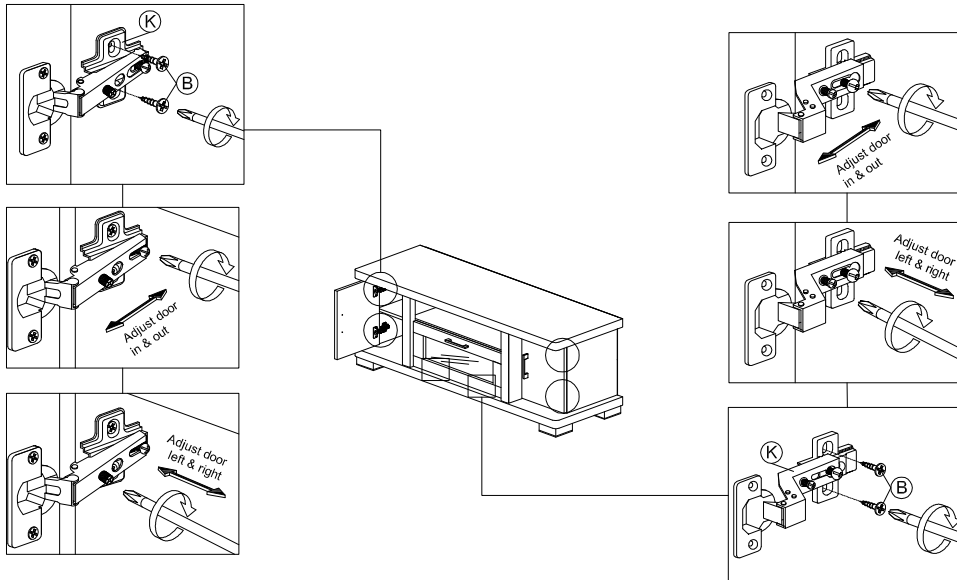
STEP 11



STEP 12



STEP 13



COMPLETD

