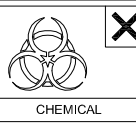
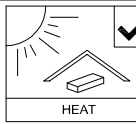




SOFT, DRY CLOTH



CHEMICAL



HEAT



KEEP DRY



HANDLE WITH CARE



DO NOT USE KNIFE

# ASSEMBLY INSTRUCTION

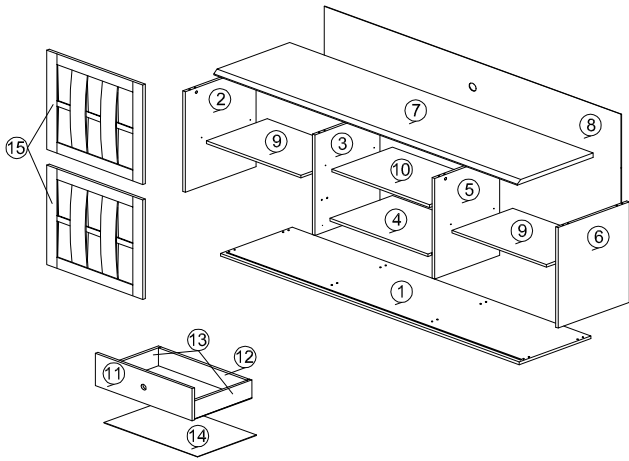
MODEL : TV 831240

DESCRIPTION : TV CABINET

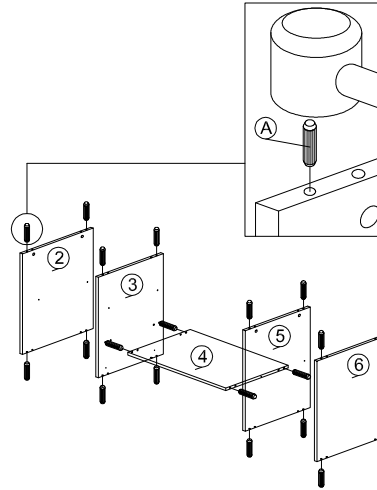
## HARDWARE

<b>A</b>  WOOD DOWEL 8 X 25 1X20	<b>B</b>  CB SCREW M3.5X16MM 1X52	<b>C</b>  CB SCREW M4X38MM 1X8	<b>D</b>  CSK CAP WOOD M6X50MM 1X8	<b>E</b>  NAIL 6/8 1X40	<b>F</b>  ALLEN KEY 1X1	<b>G</b>  MINIFIX 5654+5546 12 SETS	<b>H</b>  METAL SHELF SUPPORT 1X12	<b>I</b>  HANDLE BK-118 -35MM (METAL) 1X1	<b>J</b>  K455 ROLLER 4 SETS	<b>K</b>  DRAWER SLIDE 14" 1 SET	<b>L</b>  38100 PVC SILVER LEG 1X6
--	---	--	--	----------------------------------	----------------------------------	---	---	---	---------------------------------------	---	---

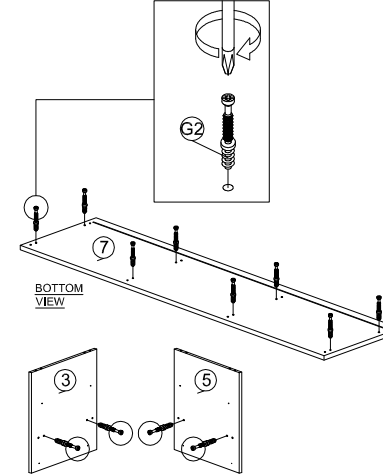
## PART LIST



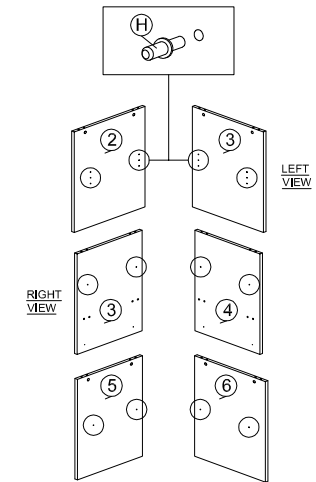
## STEP 1



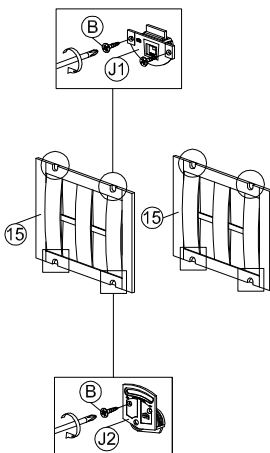
## STEP 2



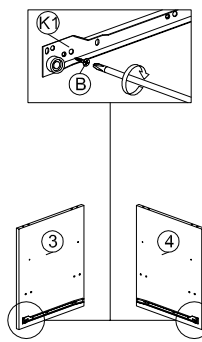
## STEP 3



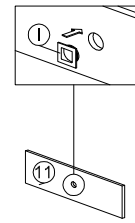
## STEP 4



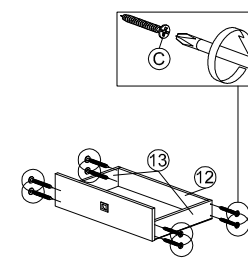
## STEP 5



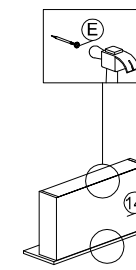
## STEP 6



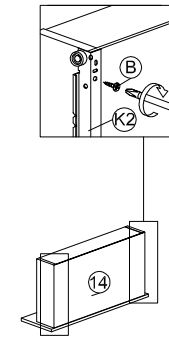
## STEP 7



## STEP 8

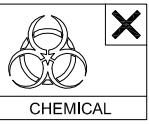


## STEP 9

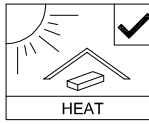




SOFT, DRY CLOTH



CHEMICAL



HEAT



KEEP DRY



HANDLE WITH CARE



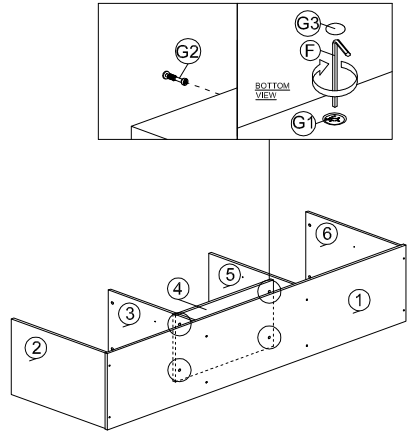
DO NOT USE KNIFE

# ASSEMBLY INSTRUCTION

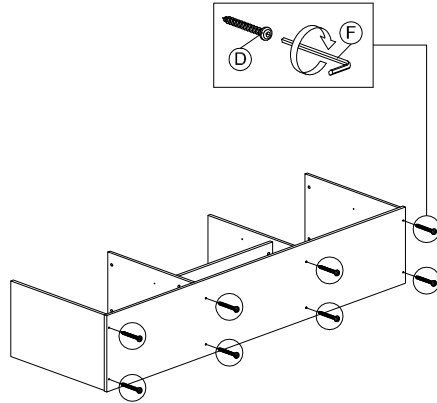
MODEL : TV 831240

DESCRIPTION : TV CABINET

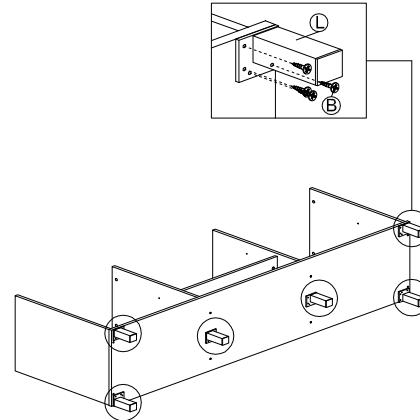
## STEP 10



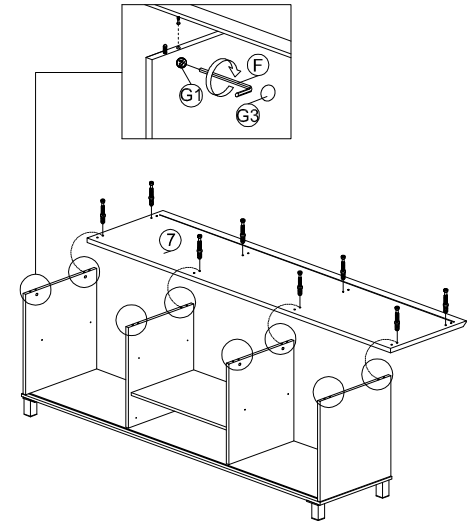
## STEP 11



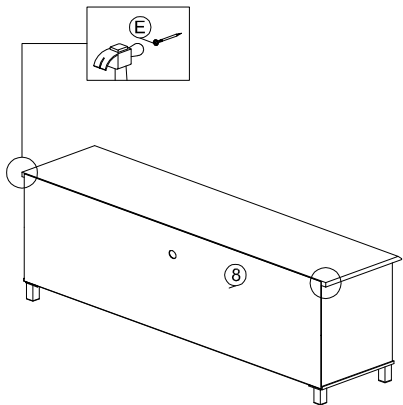
## STEP 12



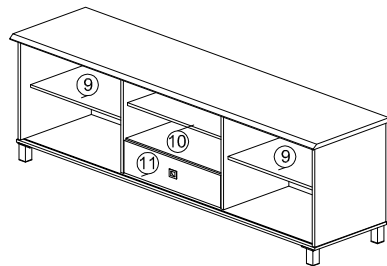
## STEP 13



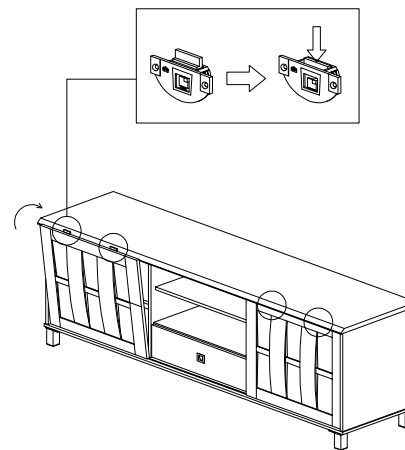
## STEP 14



## STEP 15



## STEP 16



## COMPLETED

