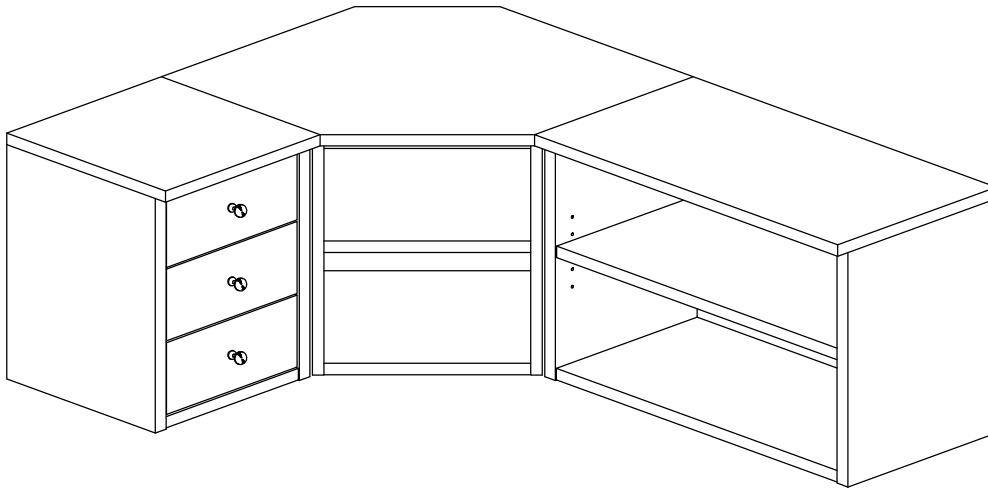
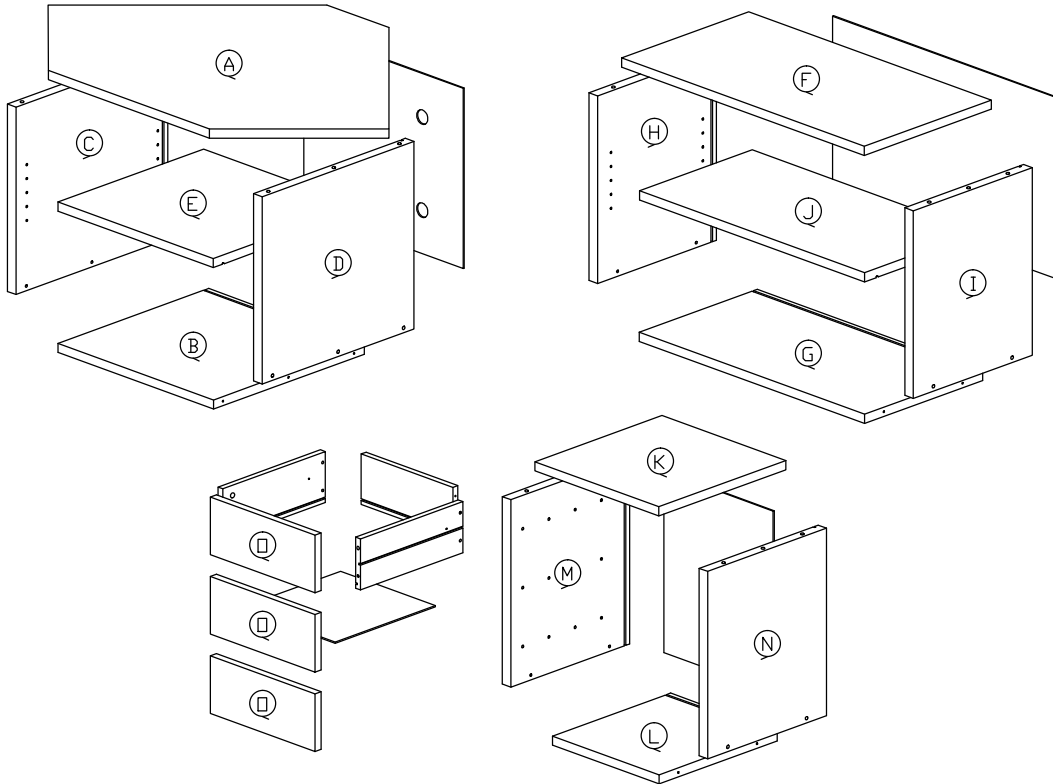


Assembly Instruction

Model : WI5444



Part List



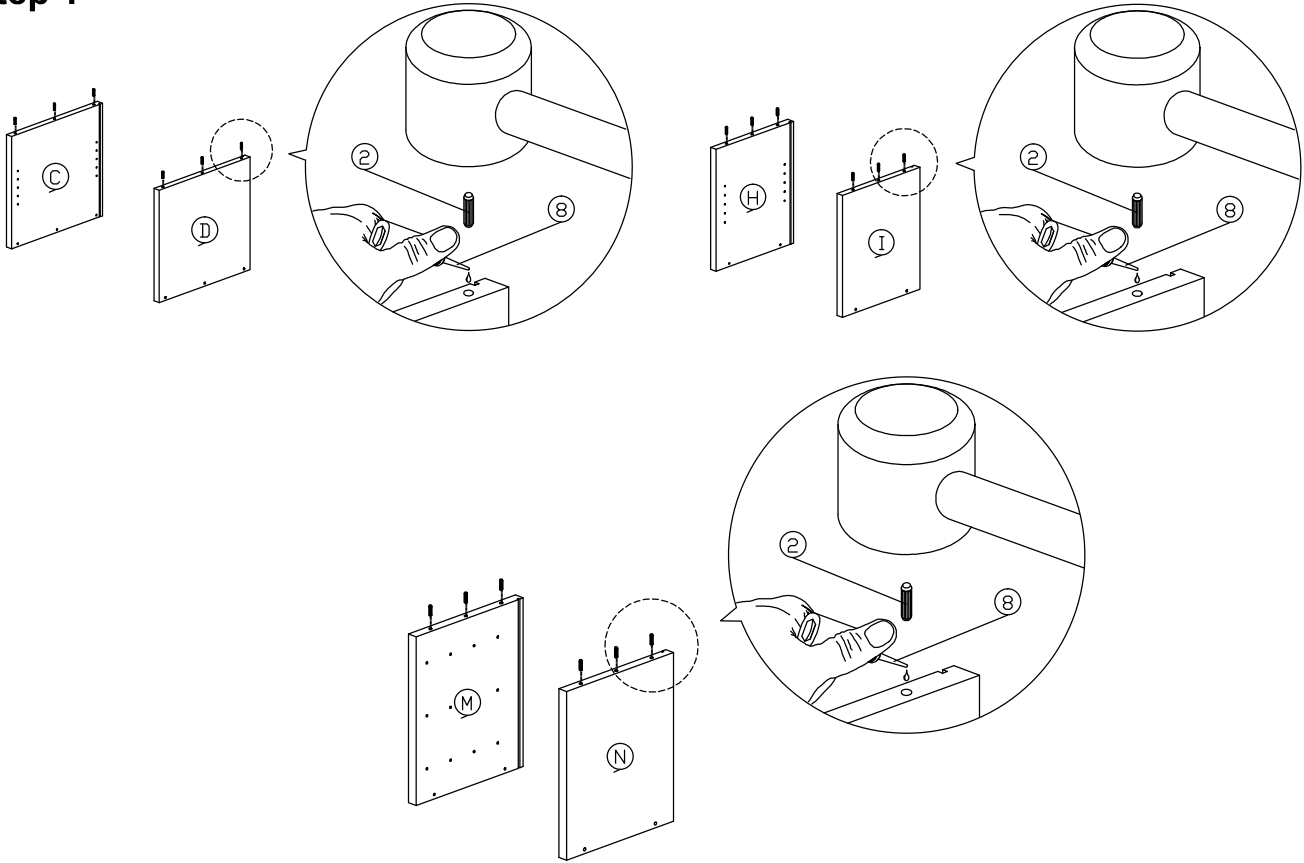
Hardware List

No.	SHAPE	DESCRIPTION	Qty.
1		6x25mm Wood Dowel	6Pcs
2		8x25mm Wood Dowel	18Pcs
3		M5x38mm Screw	14Pcs
4		12MM Titus Minifix	6Set
5		Shelf Support	8Pcs

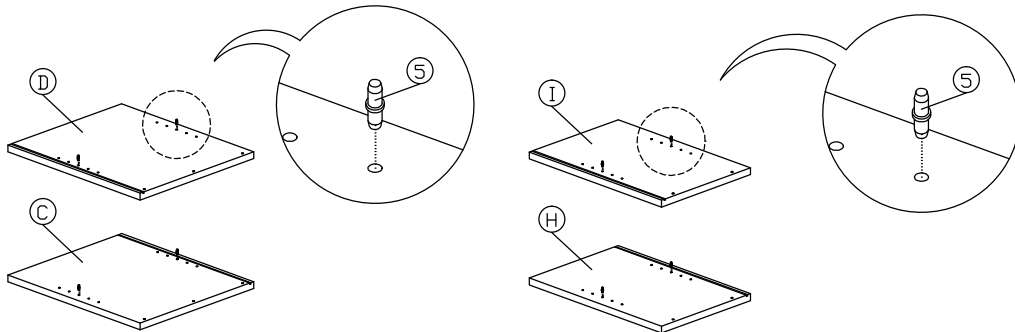
6		Stopper	6Pcs
7		OS 290 PVC - T	3Set
8		Glue	3Pcs
9		Handle (2293) M4x18mm Handle Screw	3Sets
10		Screw Cap	14Pcs
11		M4x30mm Screw	12Pcs

Assembly Instruction

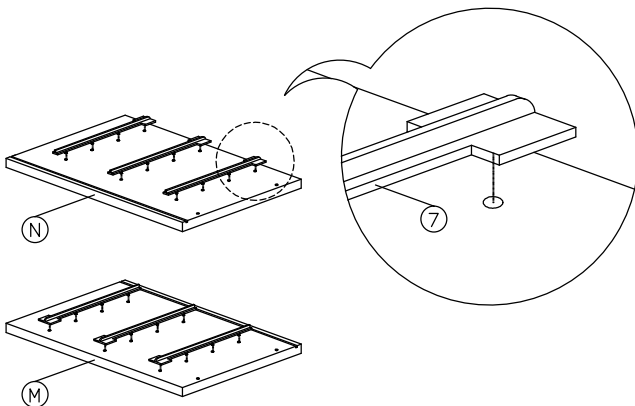
Step 1



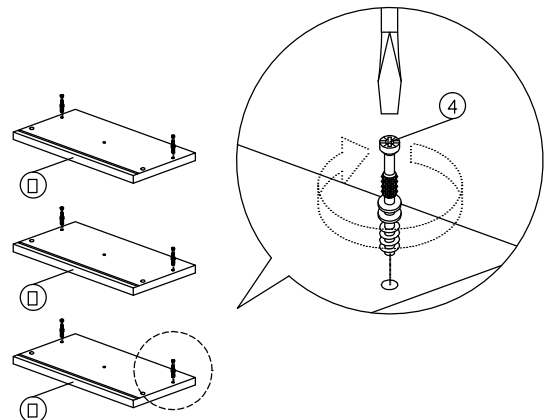
Step 2



Step 3

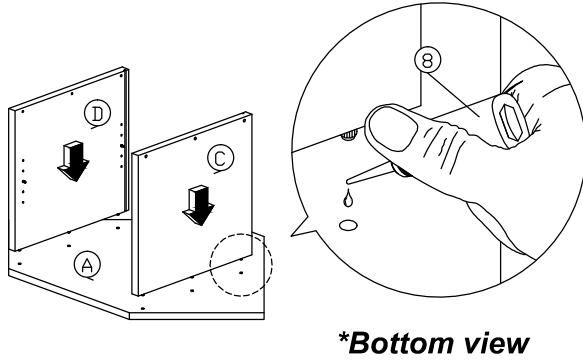


Step 4

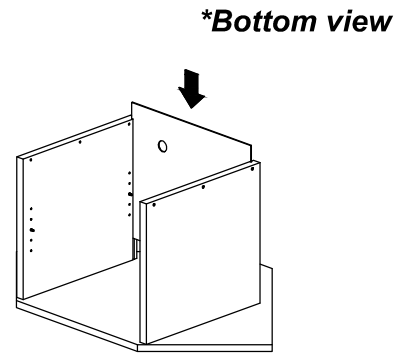


Assembly Instruction

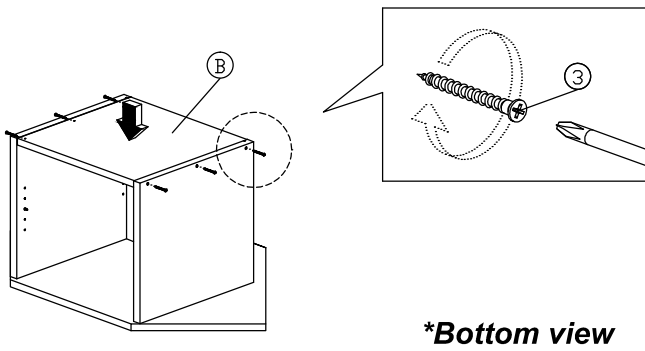
Step 5



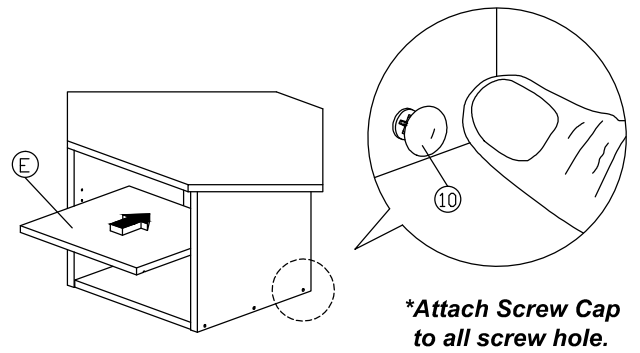
Step 6



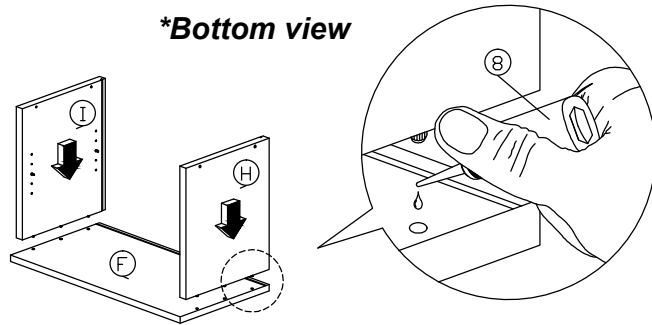
Step 7



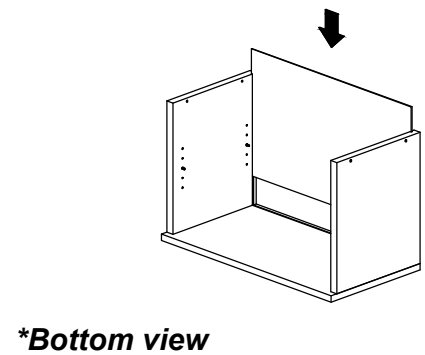
Step 8



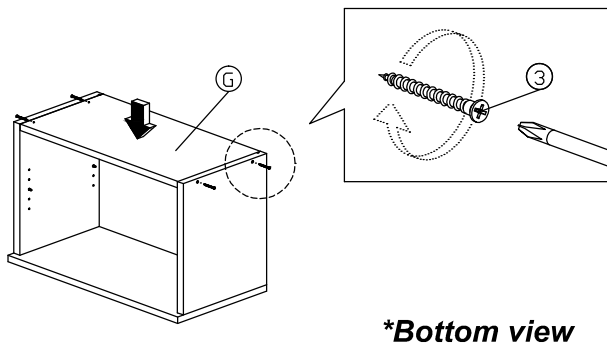
Step 9



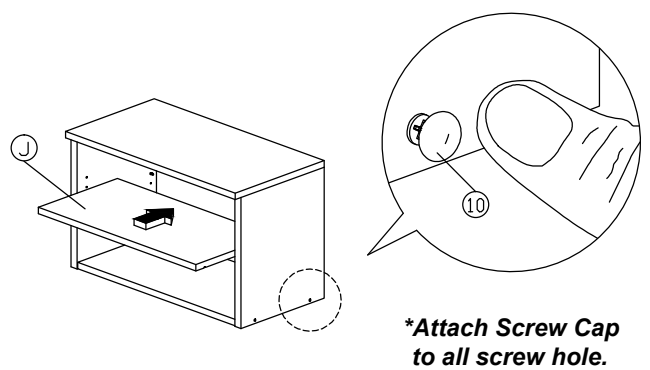
Step 10



Step 11

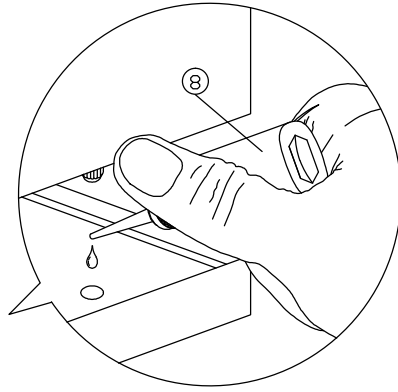
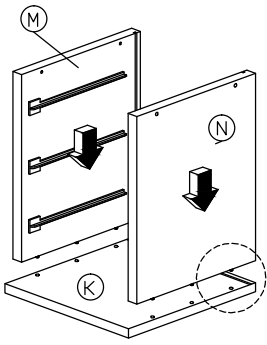


Step 12



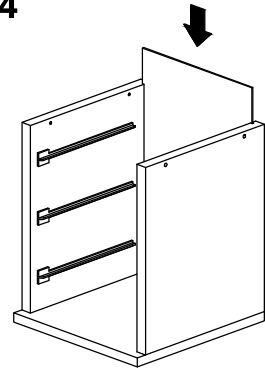
Assembly Instruction

Step 13



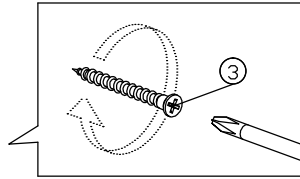
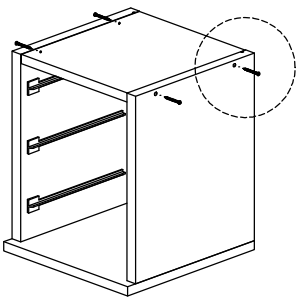
**Bottom view*

Step 14



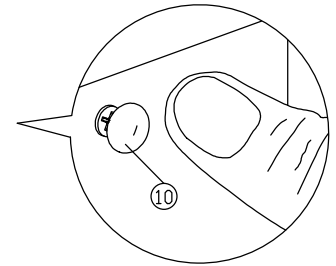
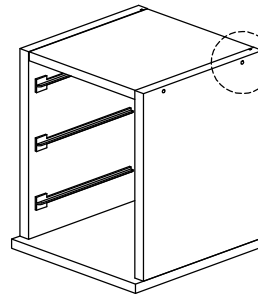
**Bottom view*

Step 15



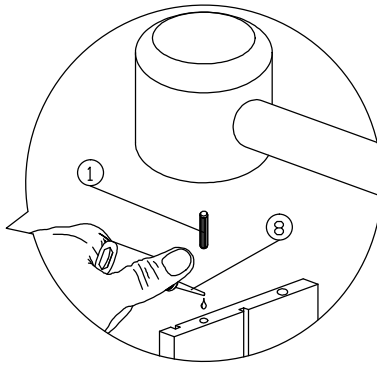
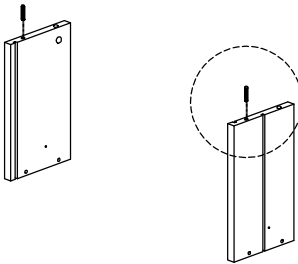
**Bottom view*

Step 16

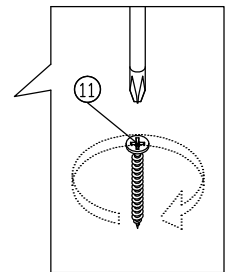
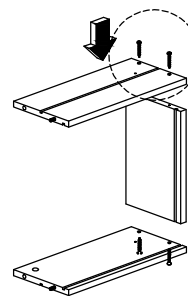


**Bottom view*

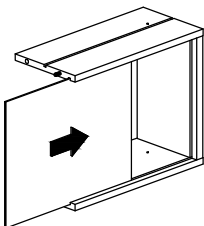
Step 17



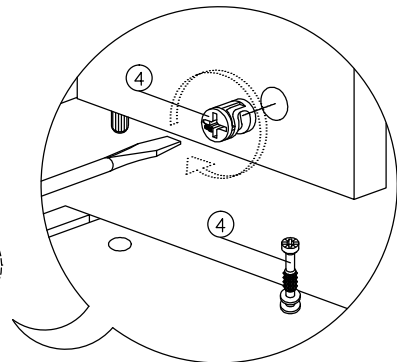
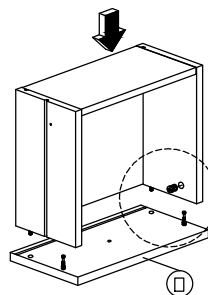
Step 18



Step 19

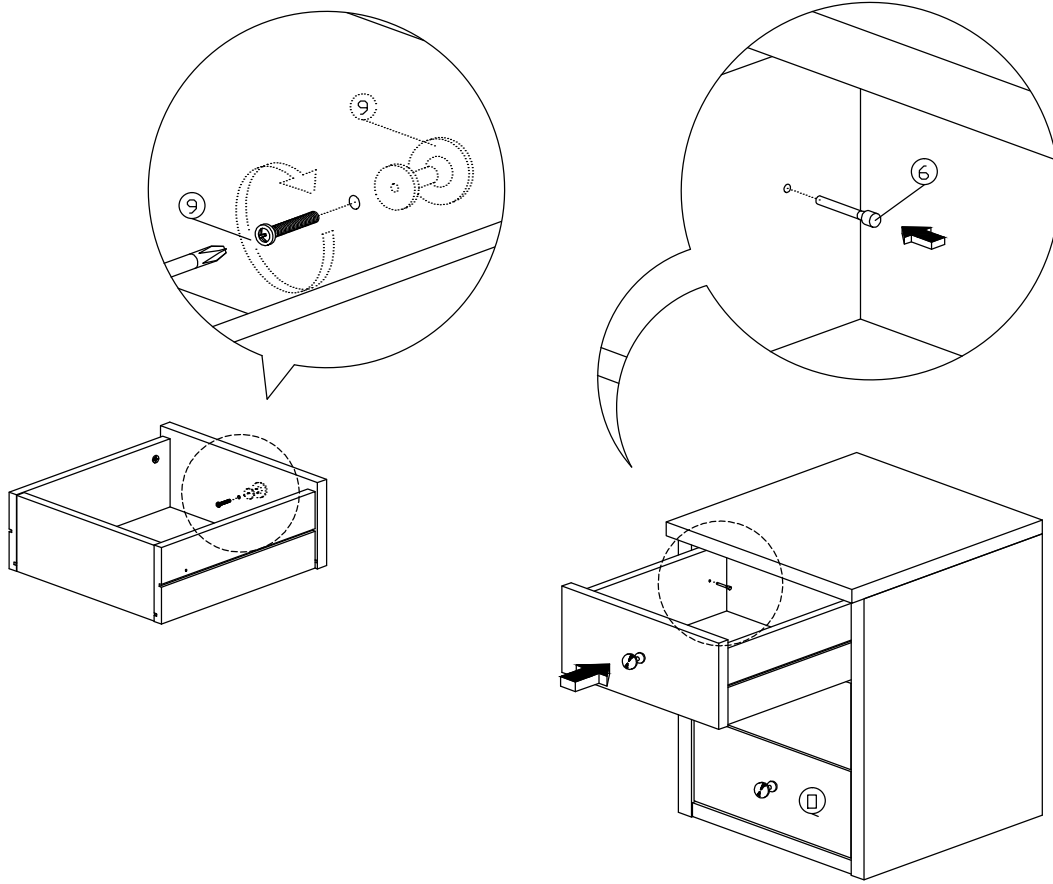


Step 20



Assembly Instruction

Step 21



Step 7

