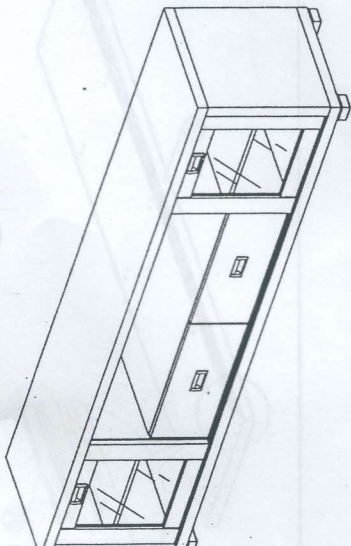
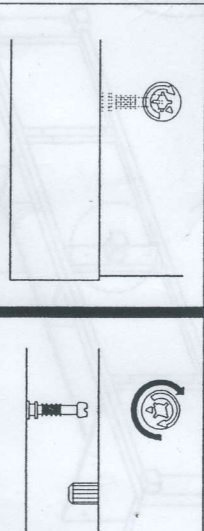


# Assembly Instruction

Model : FTV 881

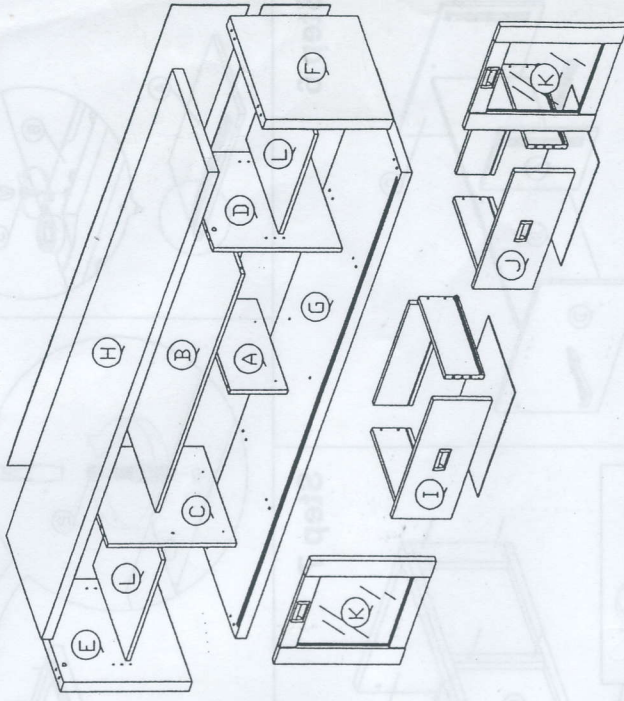


## Dowel / Cam - Lock Installation

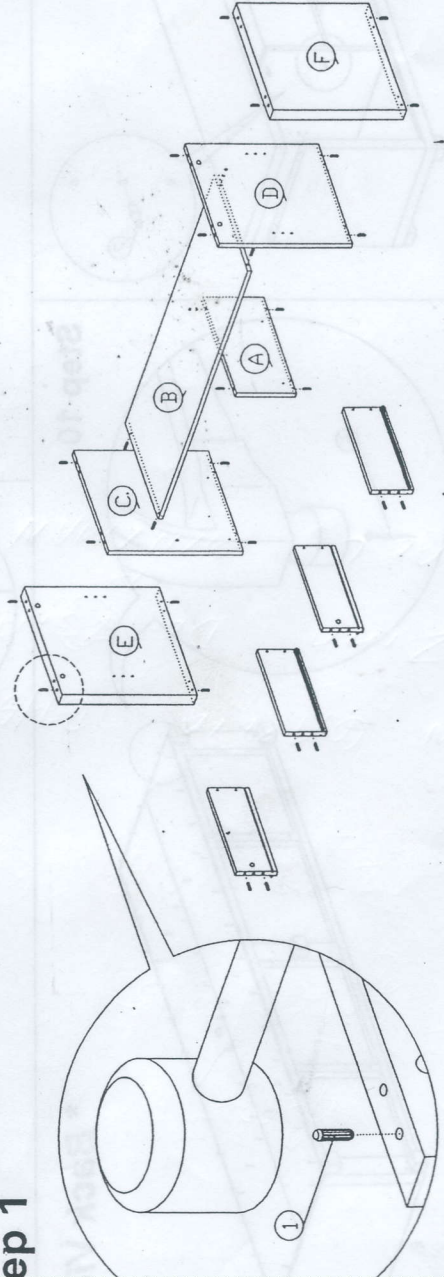


Hardware List			
No.	SHAPE	DESCRIPTION	Qty.
1		8x25mm Wood Dowel	32Pcs
2		15MM Myfix Minifix	12 Set
3		M3.5x15mm Screw	28Pcs
4		M4x38mm Screw	8Pcs
5		M4x65mm Screw	10Pcs
6		Nail	55Pcs
7		Shelf Support	8Pcs
8		Drawer Slide = 300mm	2Sets
9		PVC Square Leg	5Pcs
10		Plastic Rail	1Set

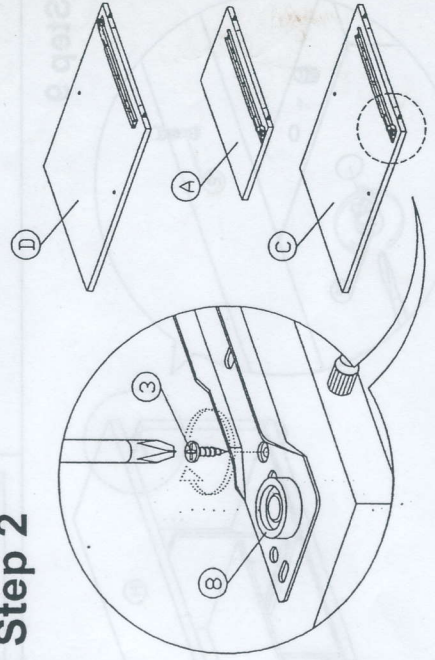
## Part List



## Step 1

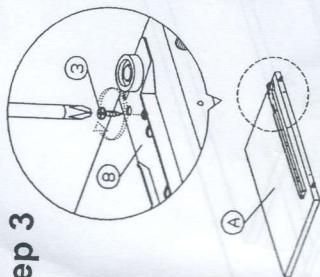


## Step 2

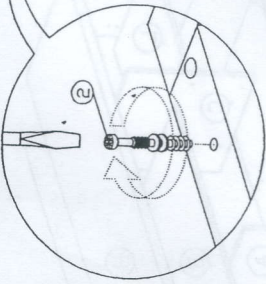


# Assembly Instruction

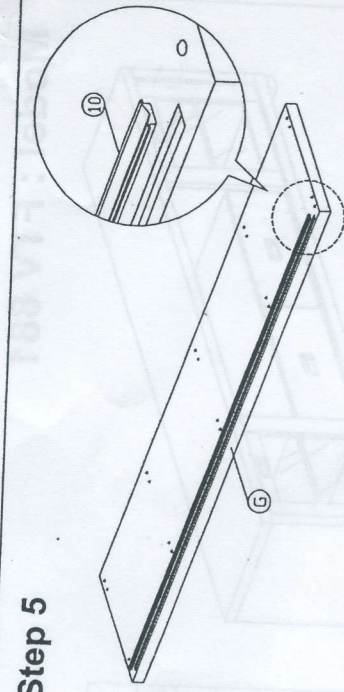
Step 3



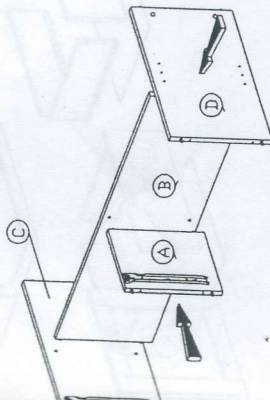
Step 4



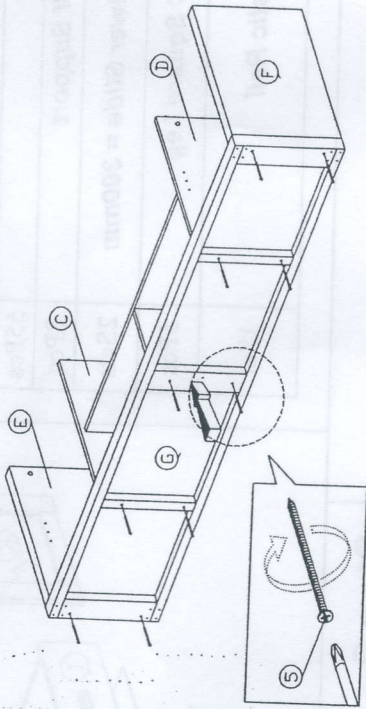
Step 5



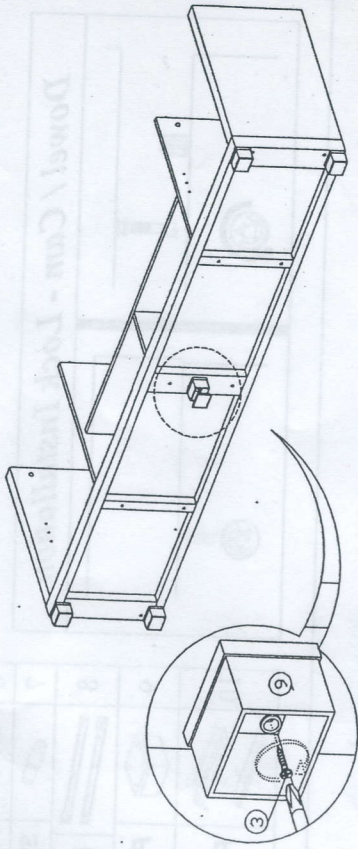
Step 6



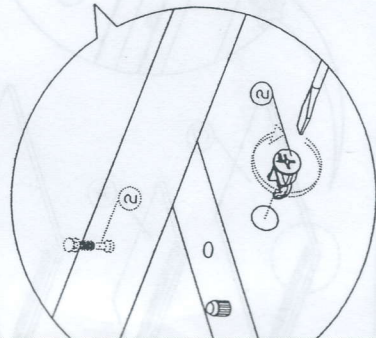
Step 7



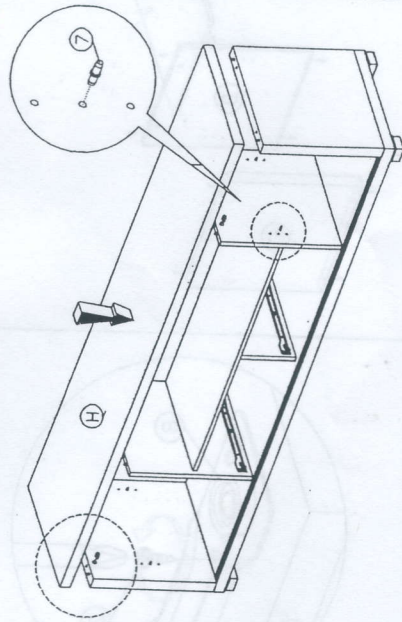
Step 8



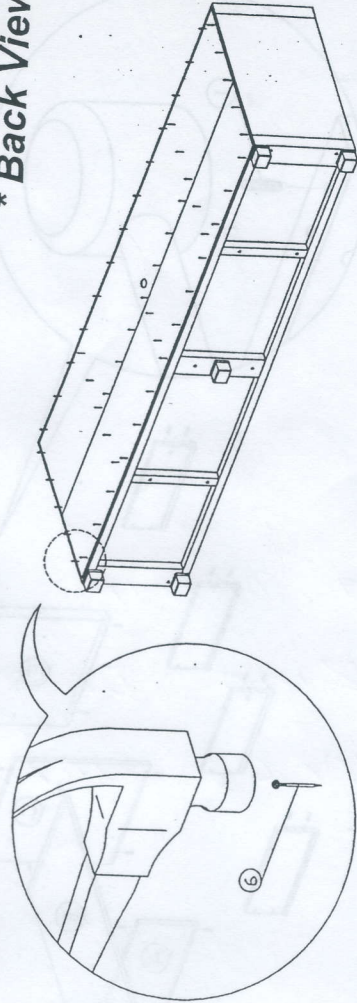
Step 9



Step 10

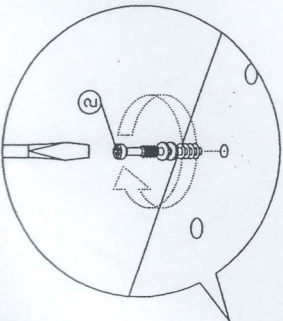


\* Back View

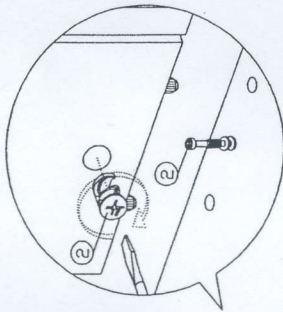
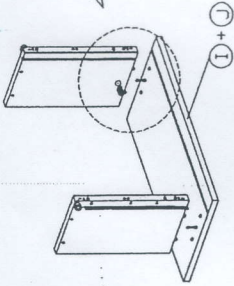


# Assembly Instruction

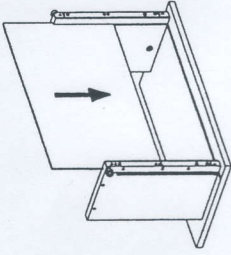
p 11



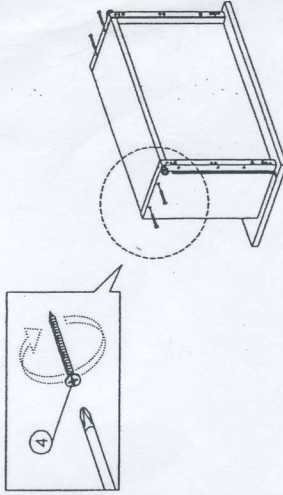
Step 12



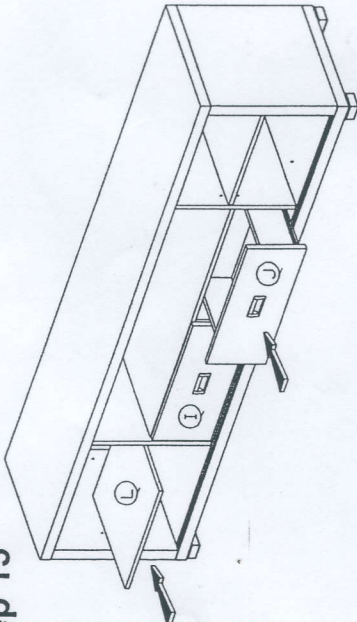
Step 13



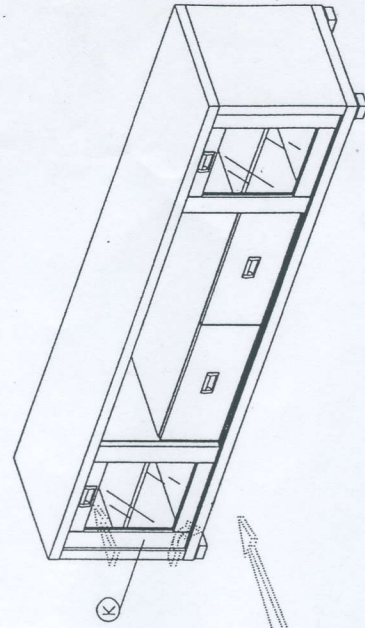
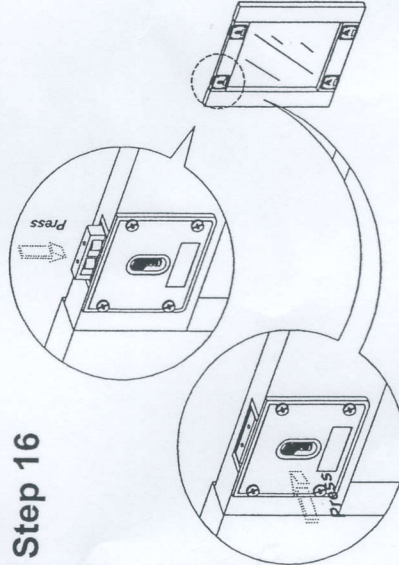
Step 14



p 15



Step 16



complete

