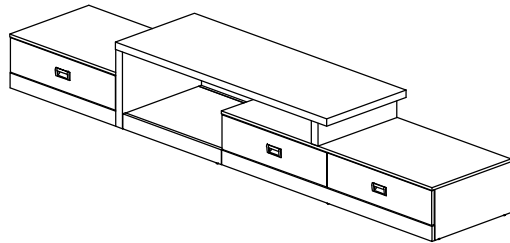


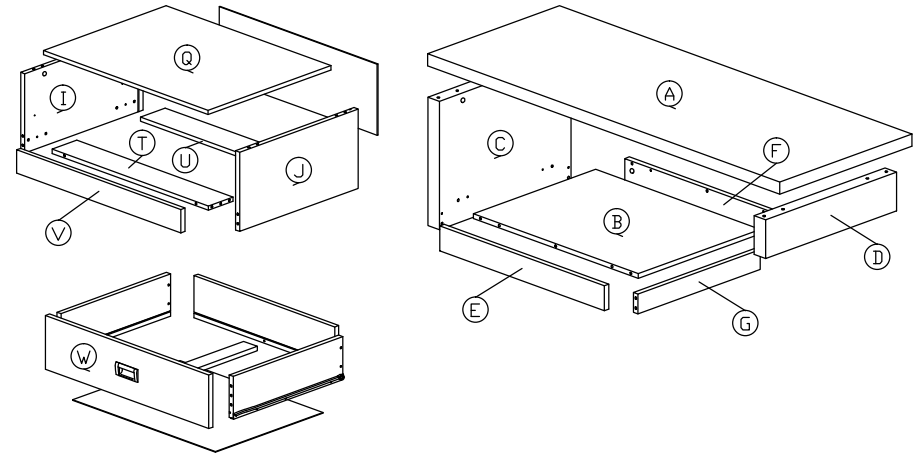
Assembly Instruction

Model : FTV - 4125

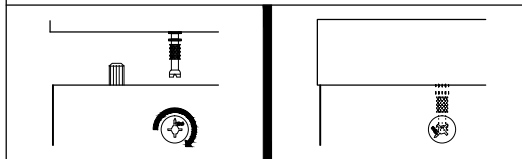


Hardware List			
No.	SHAPE	DESCRIPTION	Qty.
1		8x25mm Wood Dowel	70Pcs
2		15MM Titus Mini Fix	47Sets
3		M3.5x15mm Screw	12Pcs
4		M4x38mm Screw	15Pcs
5		M5x38mm Screw	2Pcs
6		Nail	15Pcs
7		Nail Leg	13Pcs
8		Drawer Slide 16" (400mm)	3Sets
9		15mm Minifix Cap	4Pcs

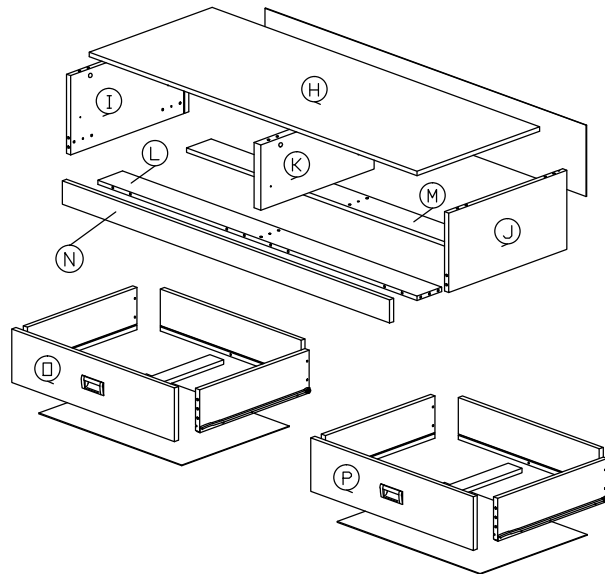
Part List



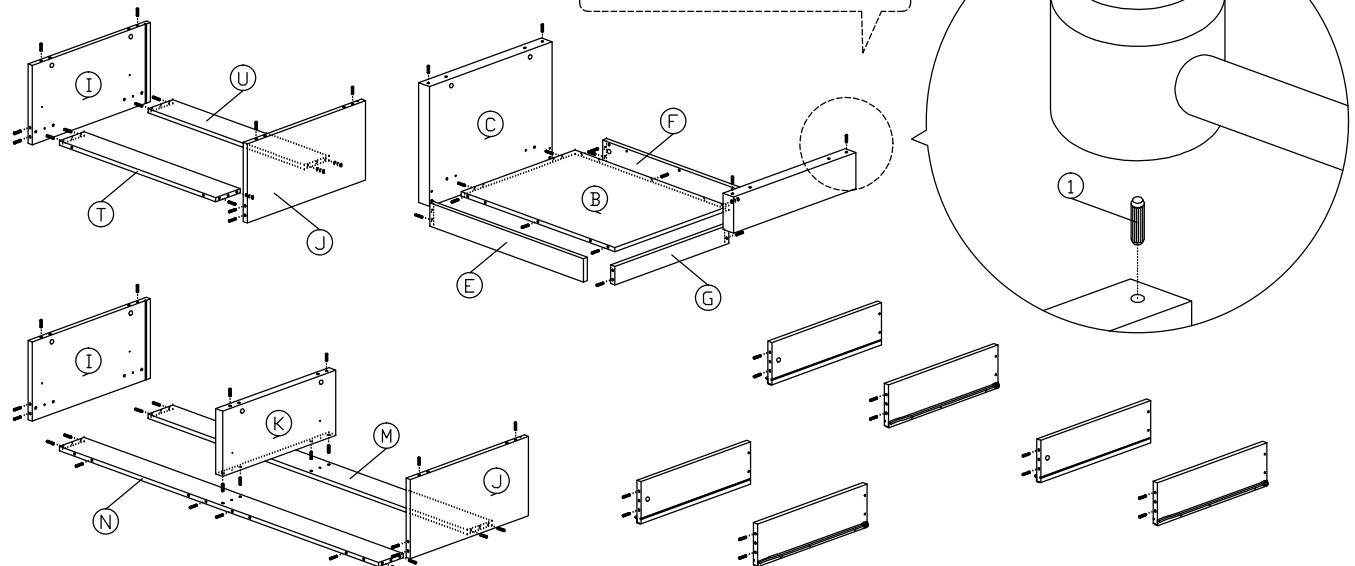
Dowel / Cam - Lock Installation



Part List

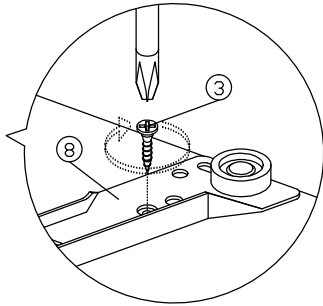
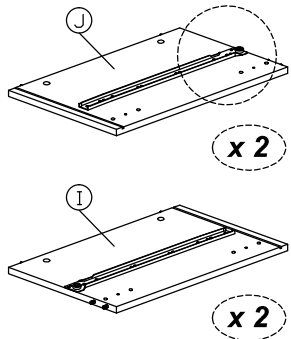


Step 1



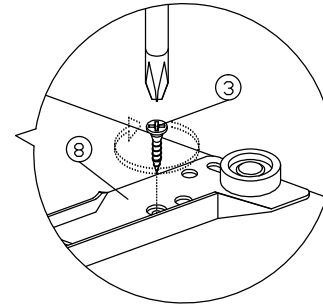
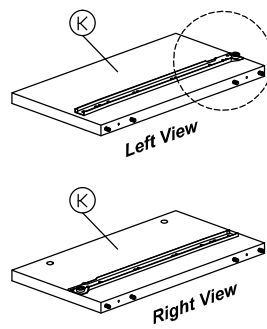
Assembly Instruction

Step 2



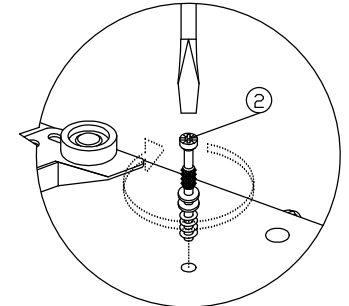
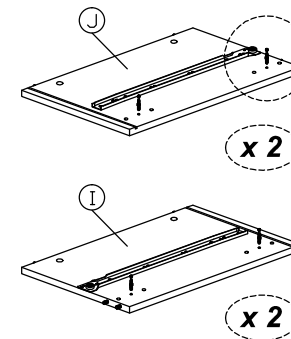
**Install 2pcs Drawer Slide as shown above.*

Step 3



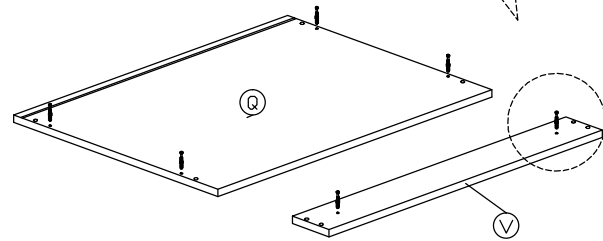
**Install 1pc Drawer Slide to both sides of panel as shown above.*

Step 4

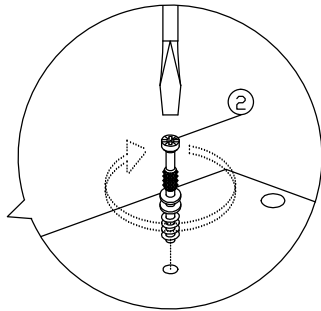


**Install 4pcs minifix bolt as shown above.*

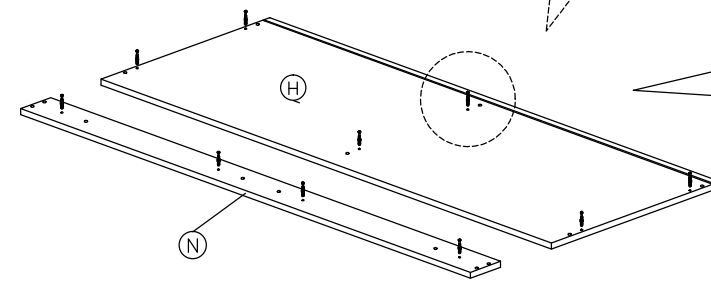
Step 5



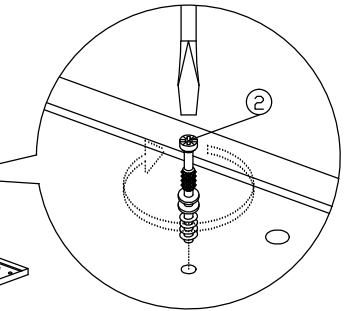
**Install 6pcs minifix bolt as shown above.*



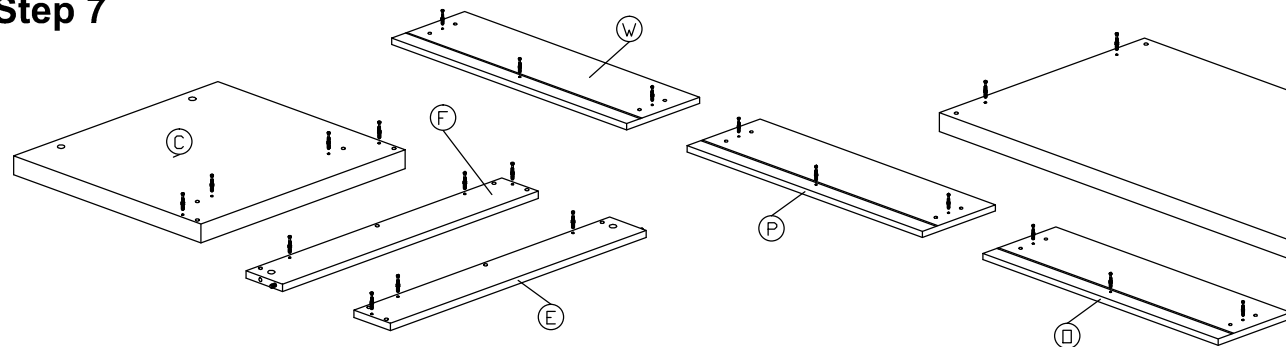
Step 6



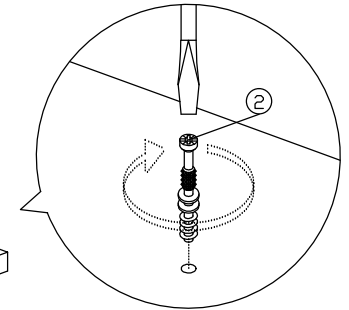
**Install 10pcs minifix bolt as shown above.*



Step 7

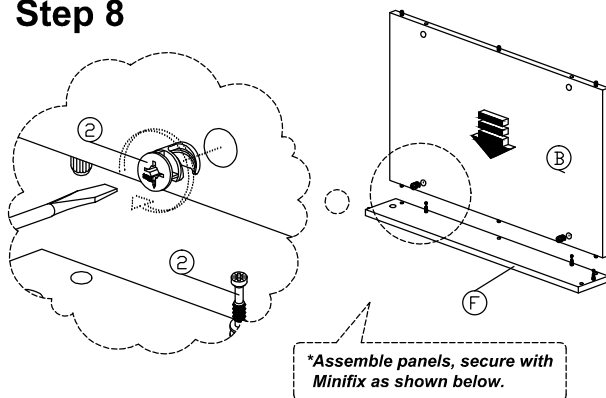


**Install 23pcs minifix bolt as shown above.*

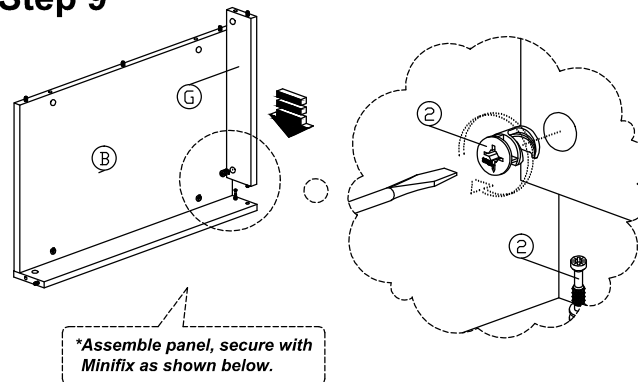


Assembly Instruction

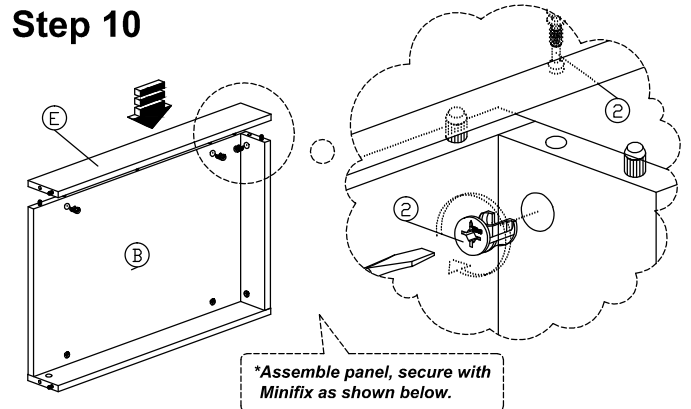
Step 8



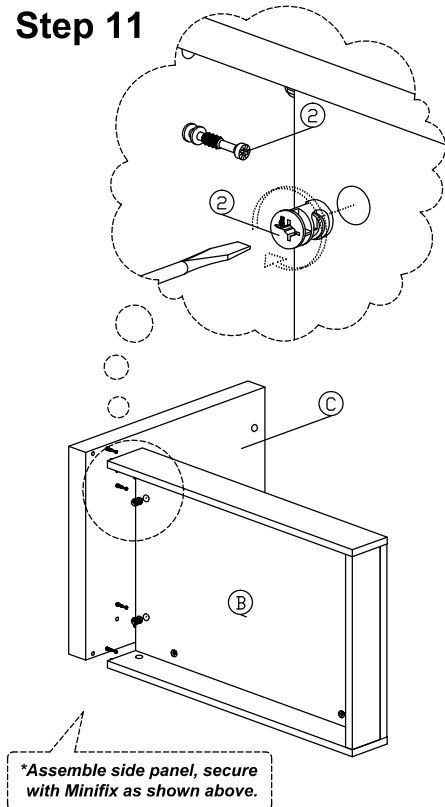
Step 9



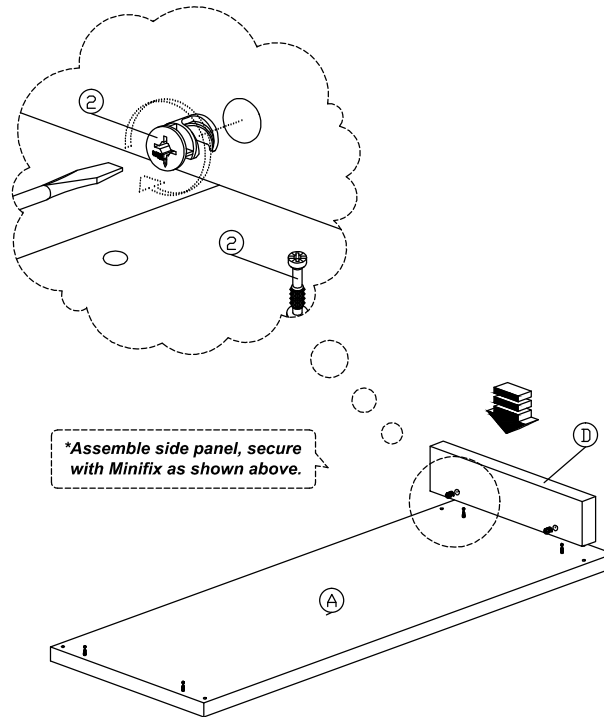
Step 10



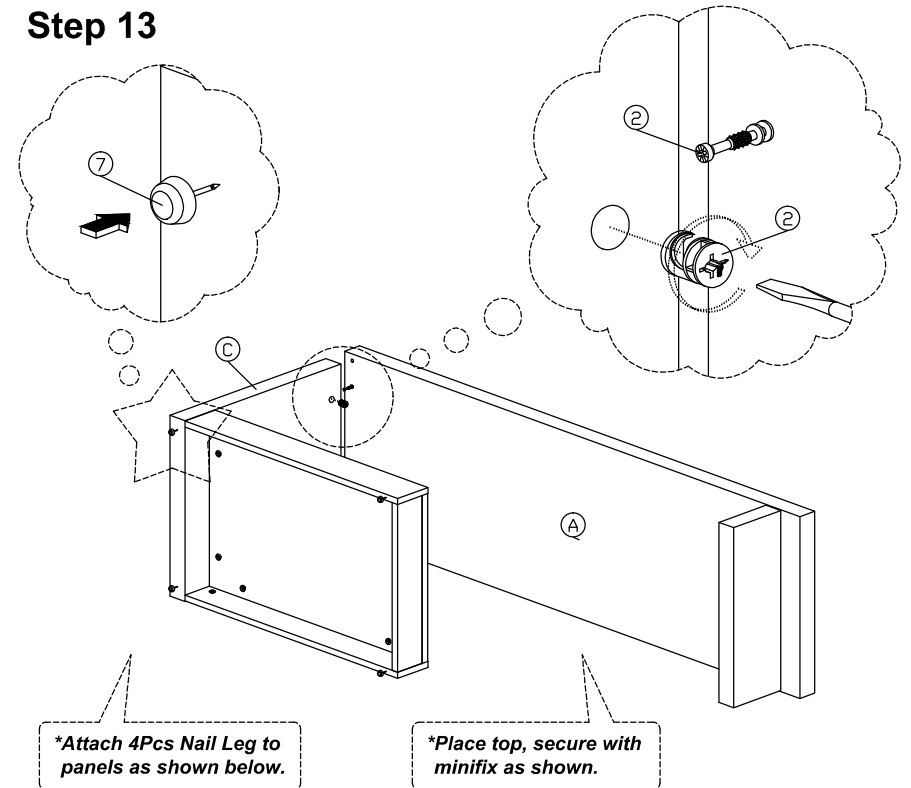
Step 11



Step 12

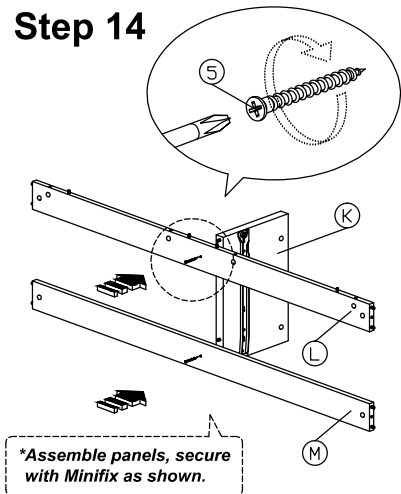


Step 13

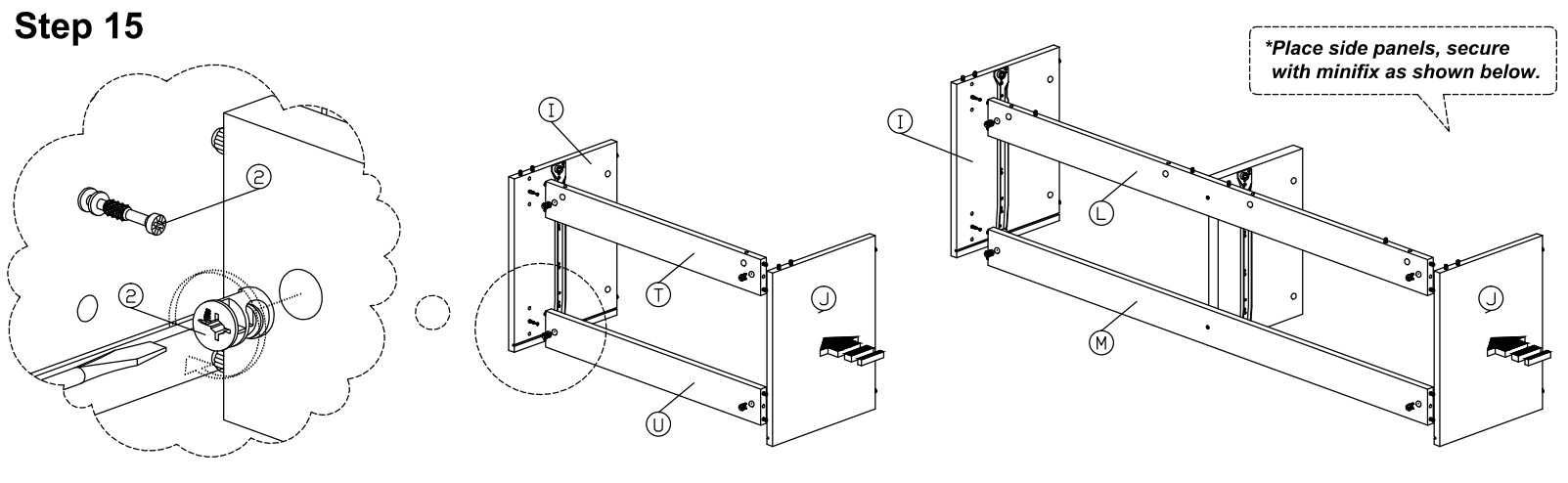


Assembly Instruction

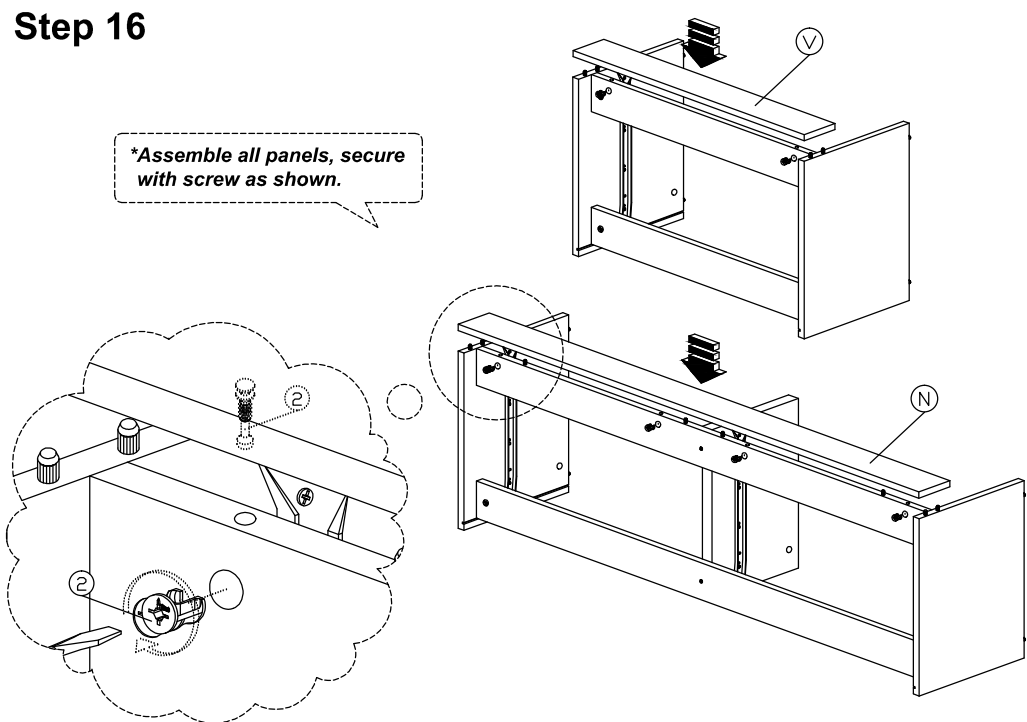
Step 14



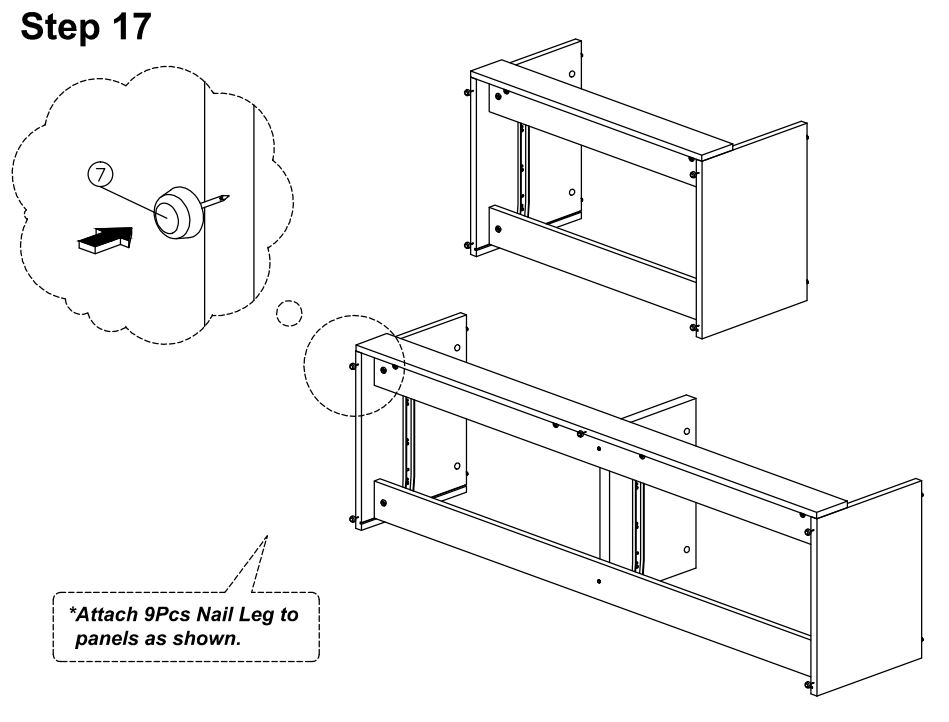
Step 15



Step 16

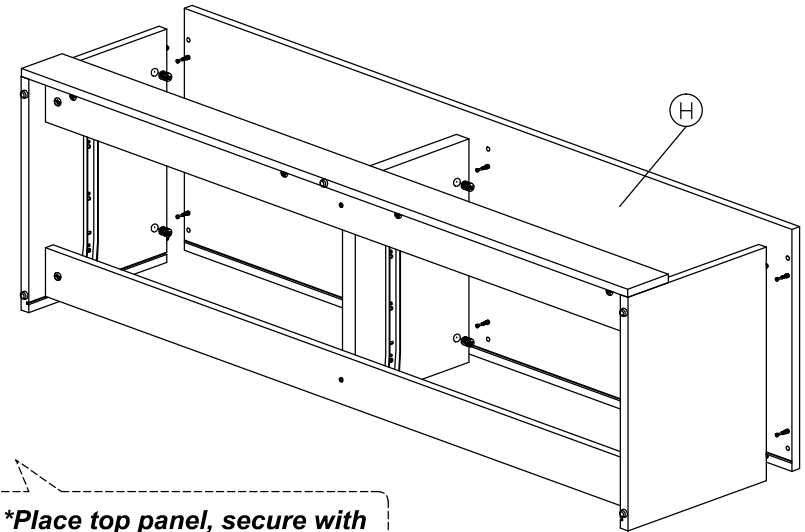
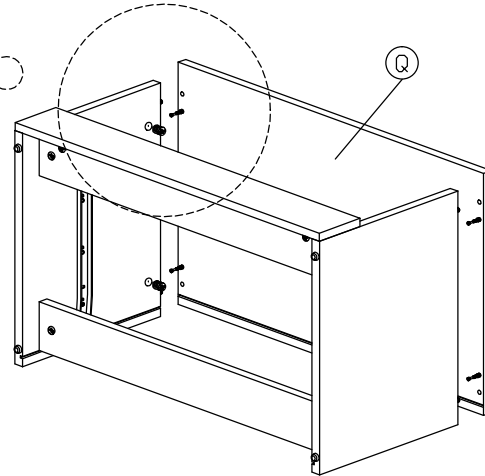
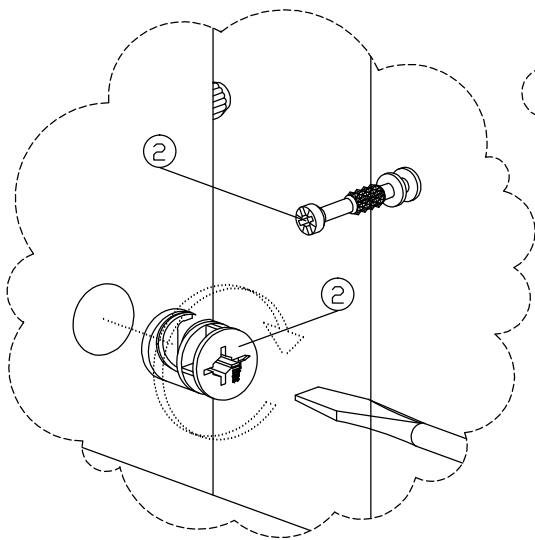


Step 17



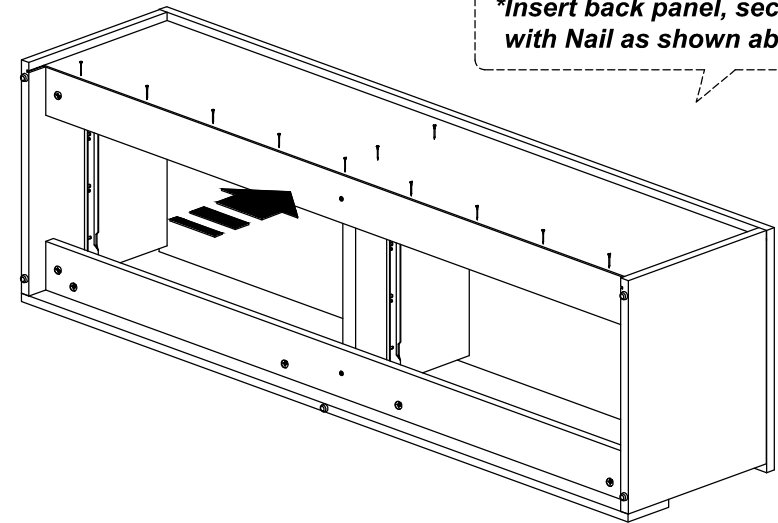
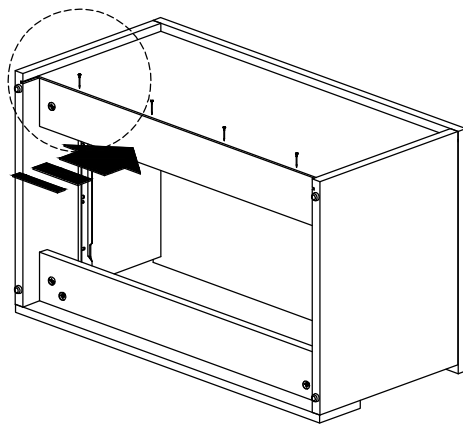
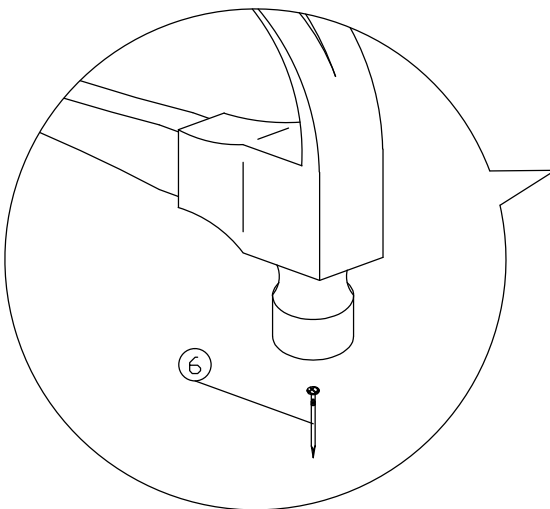
Assembly Instruction

Step 18



**Place top panel, secure with minifix as shown above.*

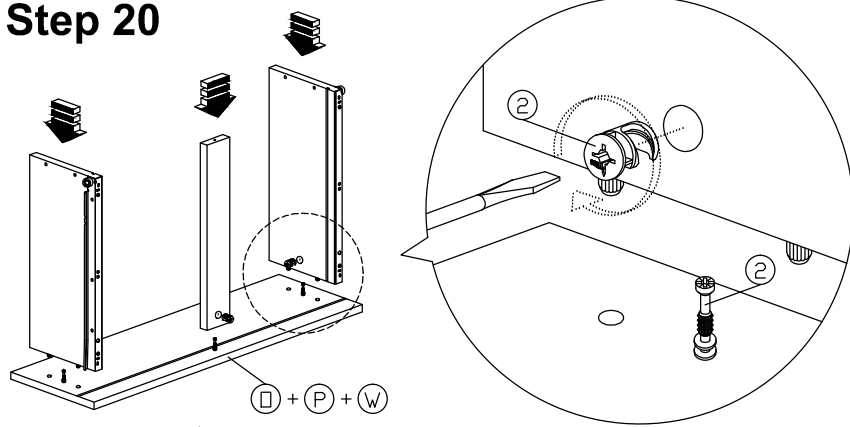
Step 19



**Insert back panel, secure with Nail as shown above.*

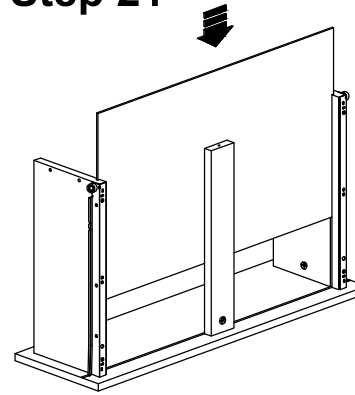
Assembly Instruction

Step 20



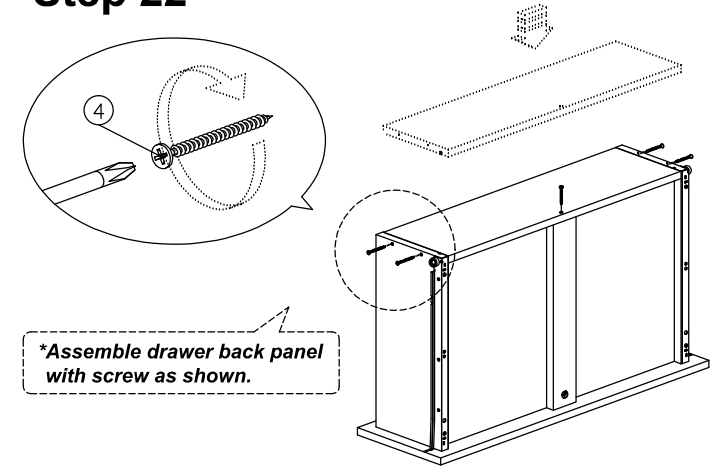
**Assemble drawer panels, secure with minifix as shown below.*

Step 21



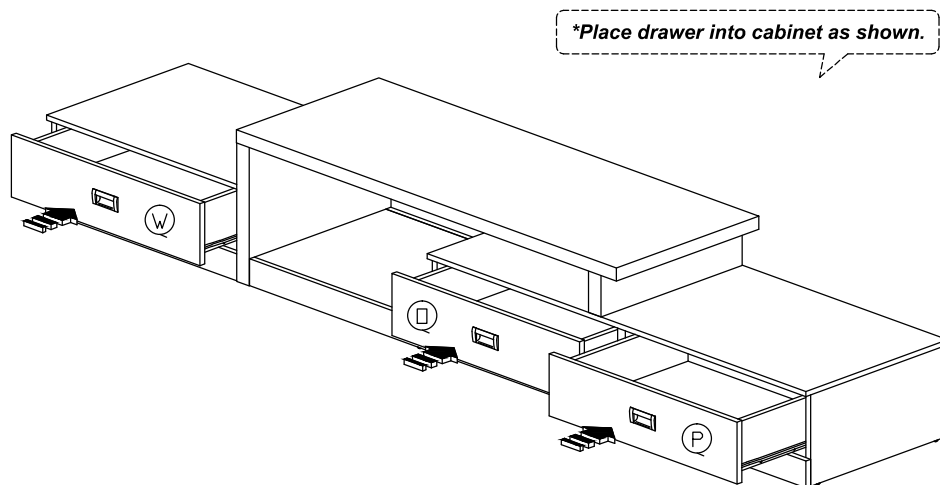
**Insert drawer bottom as shown.*

Step 22



**Assemble drawer back panel with screw as shown.*

Step 23



Step 24

