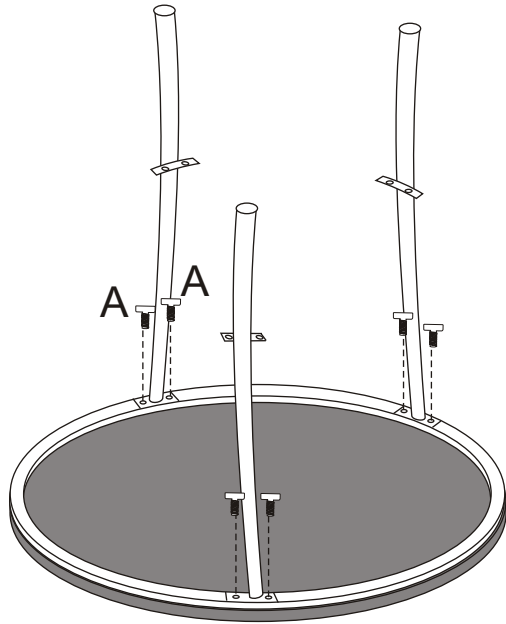
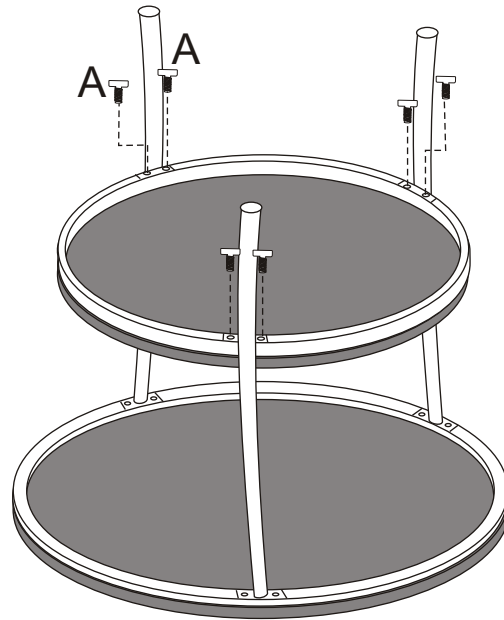


YLX-2667-ET END TABLE

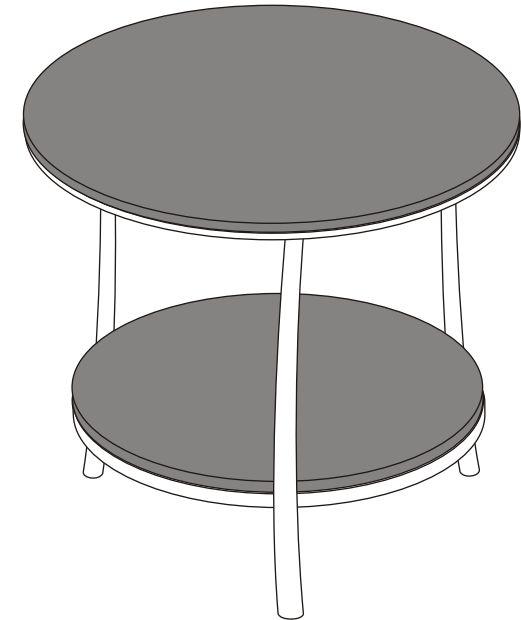
STEP1





STEP2

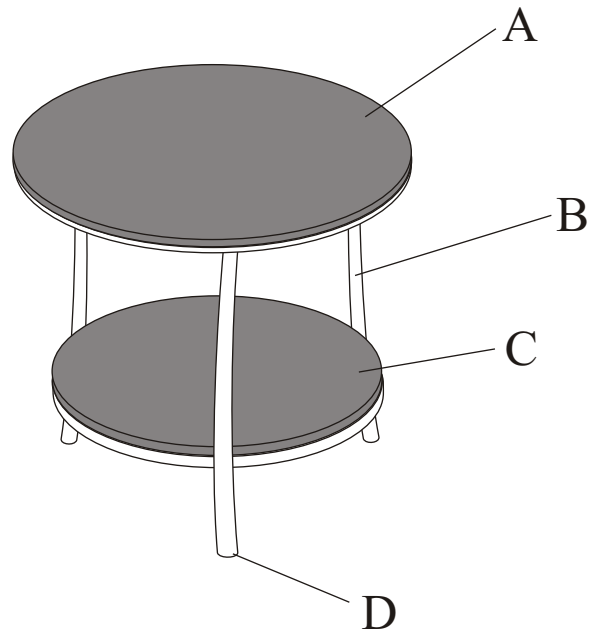


STEP3



Note: Pls do not tighten all bolts until the products is assembled completely.

A		12X	1/4"*12mm
B		1X	S4



YLX-2667	A		1X
	B		3X
	C		1X
	D	$\phi 24 * 1/4" * 10\text{mm}$	3X