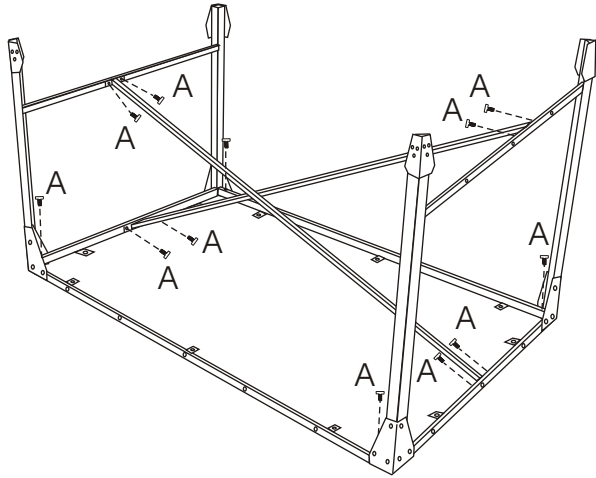
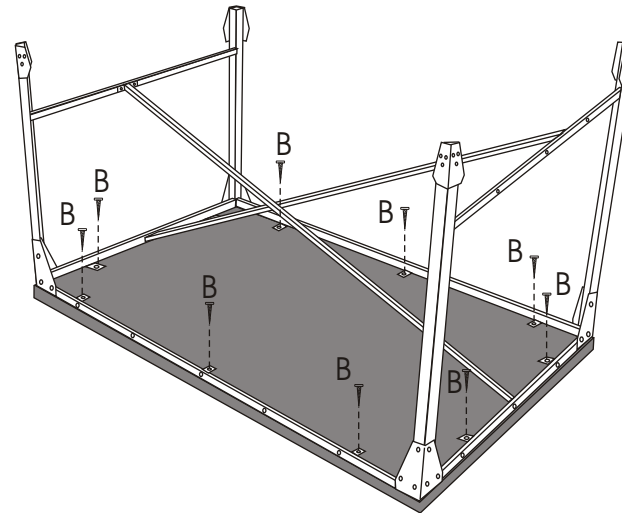


YLX-4055-TABLE

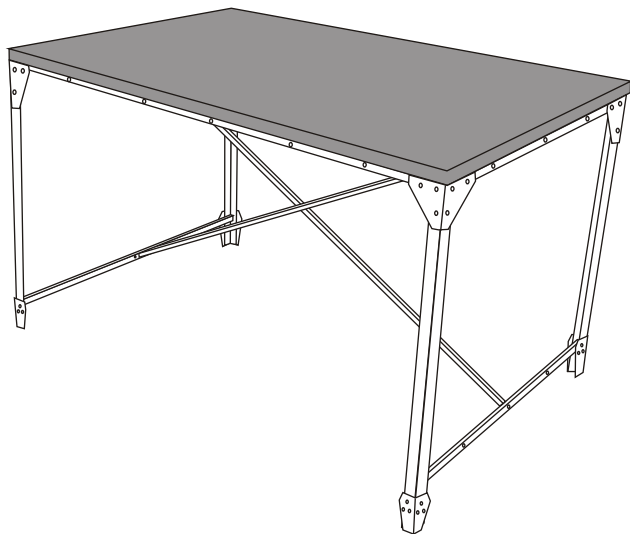
STEP1

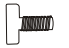




STEP2

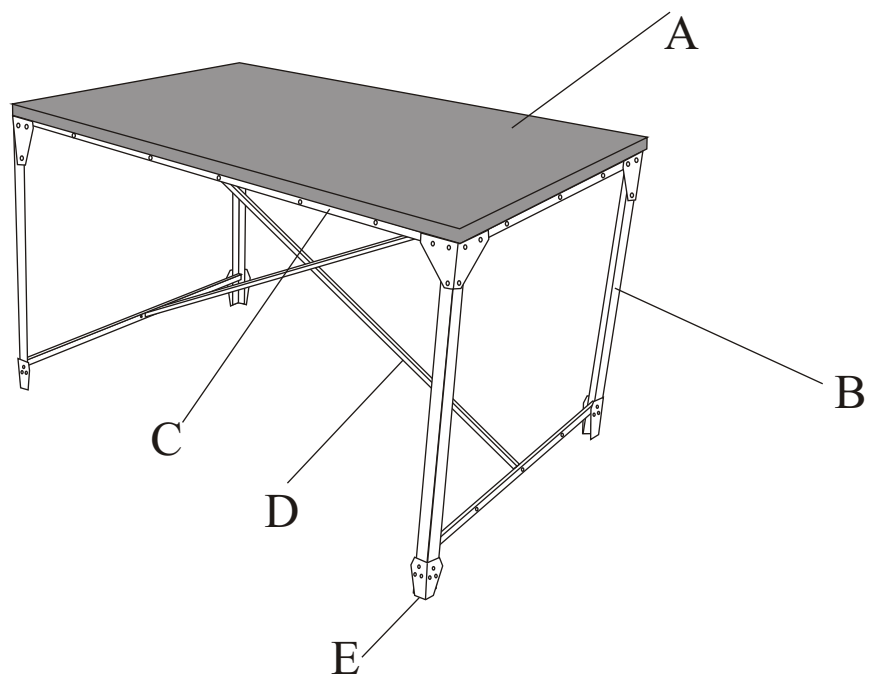


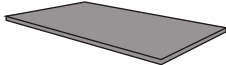
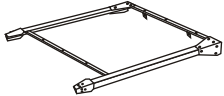

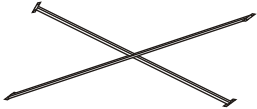

STEP3



A		12X	1/4"*12mm
B		10X	M5*15mm
C		1X	S4

Note: Pls do not tighten all bolts until the products is assembled completely.



YLX-4055	A		1X
	B		2X
	C		2X
	D		1X
	E	 $\phi 18*1/4"*10\text{mm}$	4X