

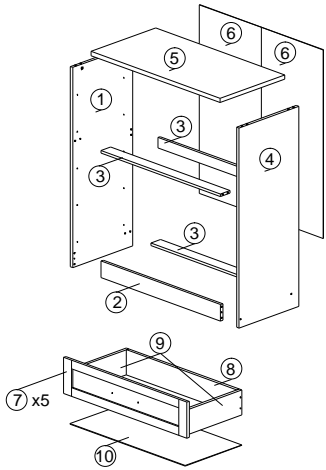
# ASSEMBLY INSTRUCTION

MODEL : BR 888002

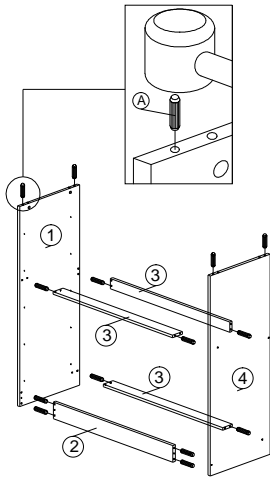
DESCRIPTION : 5 DRAWER CHEST

HARDWARE	A	B	C	D	E	F	G	H	I	J	K		
	WOOD DOWEL 8 X 25	CB SCREW M3.5X16MM	CB SCREW M4X38MM	CSK CAP WOOD M6X50MM	NAIL 5/8	ALLEN KEY	MINIFIX CAP	MINIFIX (HOUSING)	MINIFIX (EURO 24)	HANDLE AW 75-782A 160MM (METAL)	HANDLE SCREW M4X25MM	PVC NAIL WITH PIN 5/8	DRAWER SLIDE 14"
	14	60	40	8	70	1	12	4	4	5	10	5	5

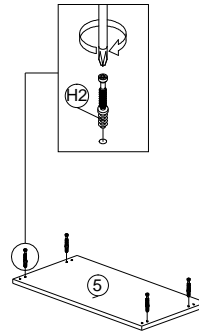
## PART LIST



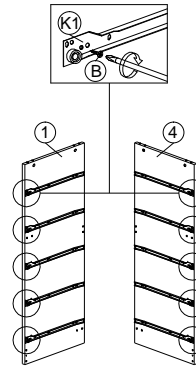
## STEP 1



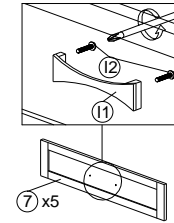
## STEP 2



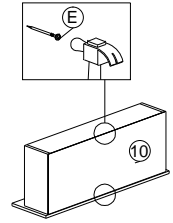
## STEP 3



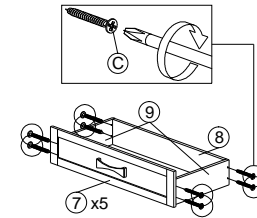
## STEP 4



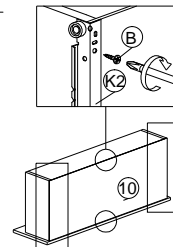
## STEP 6



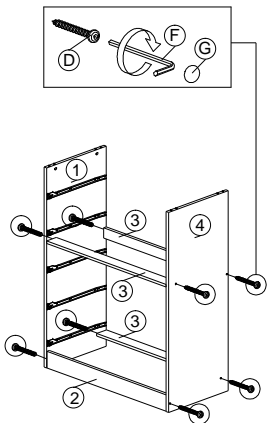
## STEP 5



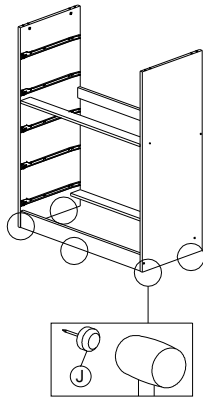
## STEP 7



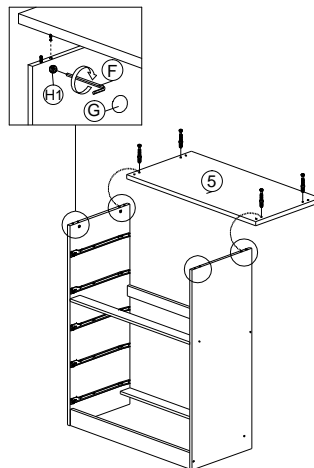
## STEP 8



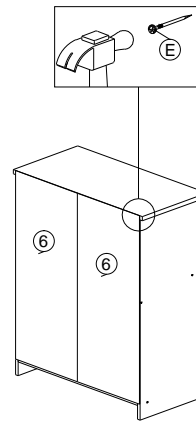
## STEP 9



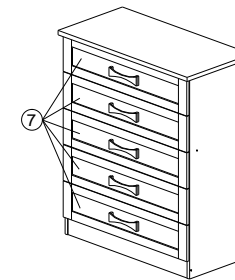
## STEP 10



## STEP 11



## STEP 12



## COMPLETED

