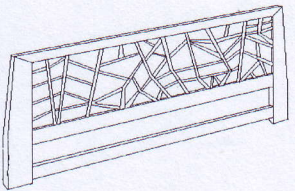
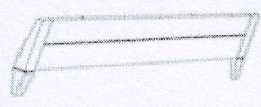
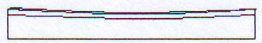
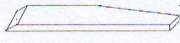
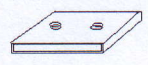


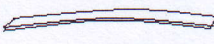
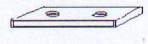


ASSEMBLY INSTRUCTION





MODEL: BD-01 QUEEN BED

WHEN DOING ASSEMBLY, PLEASE FOLLOW ASSEMBLY INSTRUCTION CAREFULLY,
FOLLOW THEM STEP BY STEP.

PART LIST

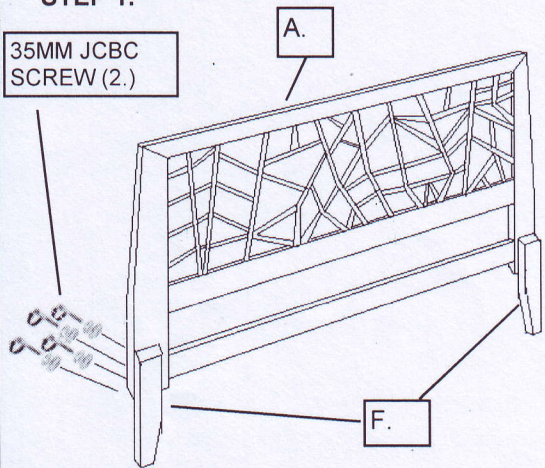
 A. HEAD BOARD 1 PC	 B. FOOT BOARD 1 PC	 D. SIDE RAIL 2 PCS	 F. HEAD BOARD LOWER LEG 2 PCS	 H. CENTER CAP 13 PCS
	 C. CENTER SUPPORT 2 PCS	 E. CENTER RAIL 1 PC	 G. BEN WOOD 26 PCS	 I. SIDE CAP 26 PCS

HARDWARE LIST

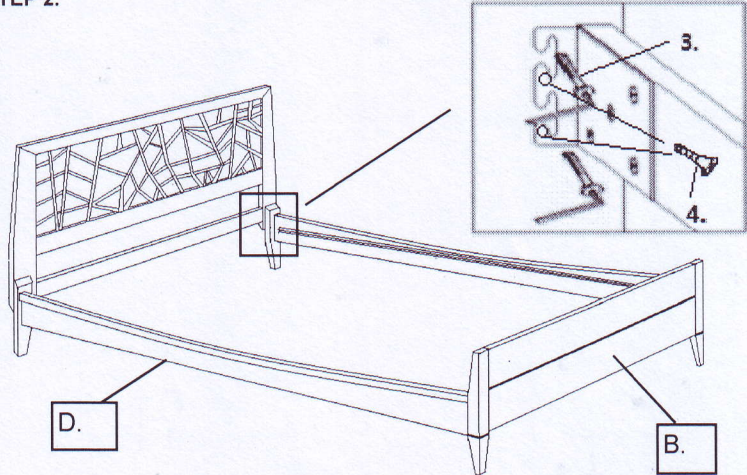
 1. "L" BRACKET 2 PCS	 2. 35MM JCBC SCREW 8 PCS	 3. 20MM JCBC SCREW 12 PCS	 4. 15MM SCREW 16 PCS
--	---	--	---

STEP 1.

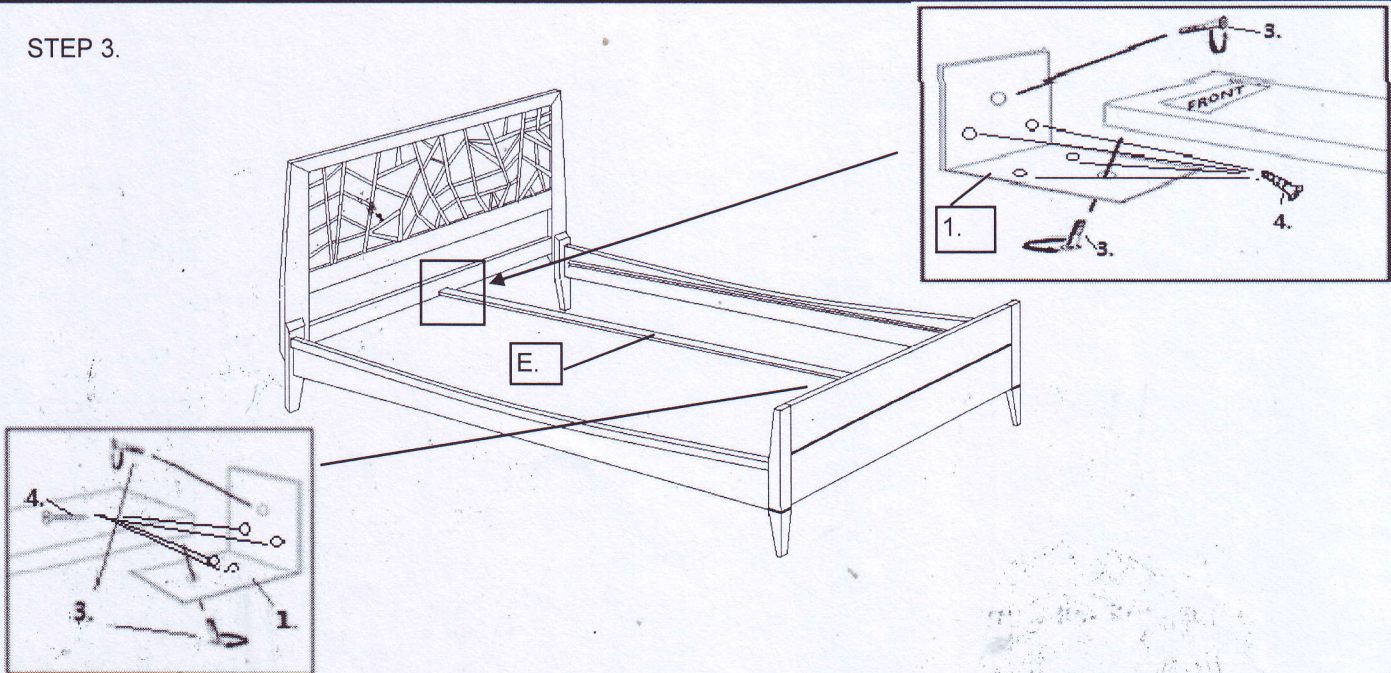
35MM JCBC SCREW (2.)



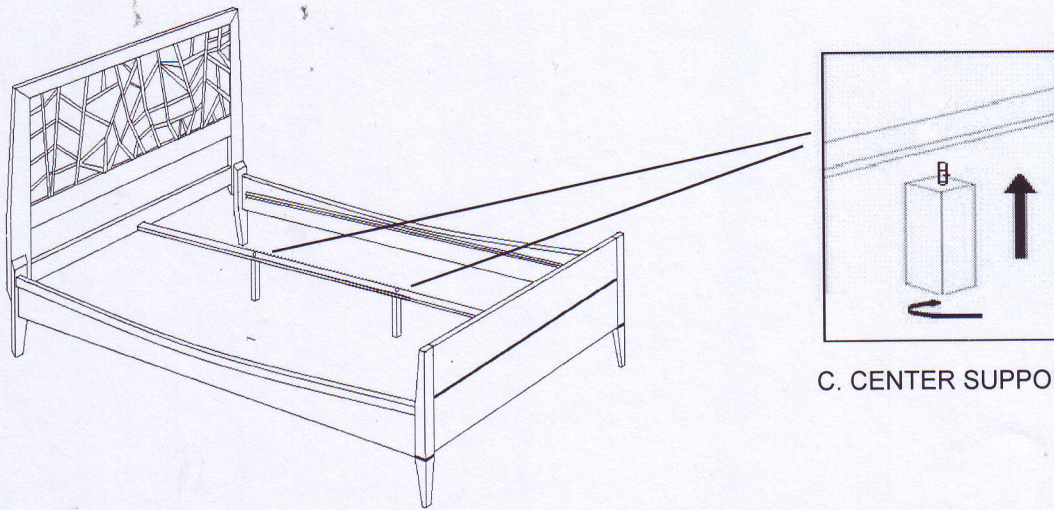
STEP 2.



STEP 3.

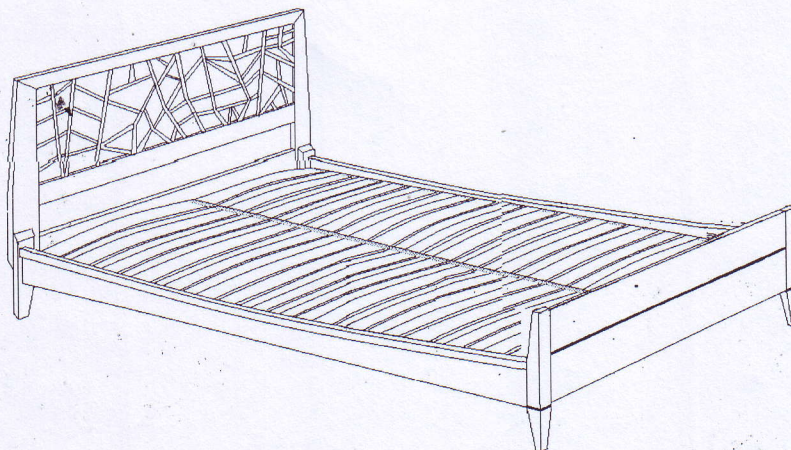
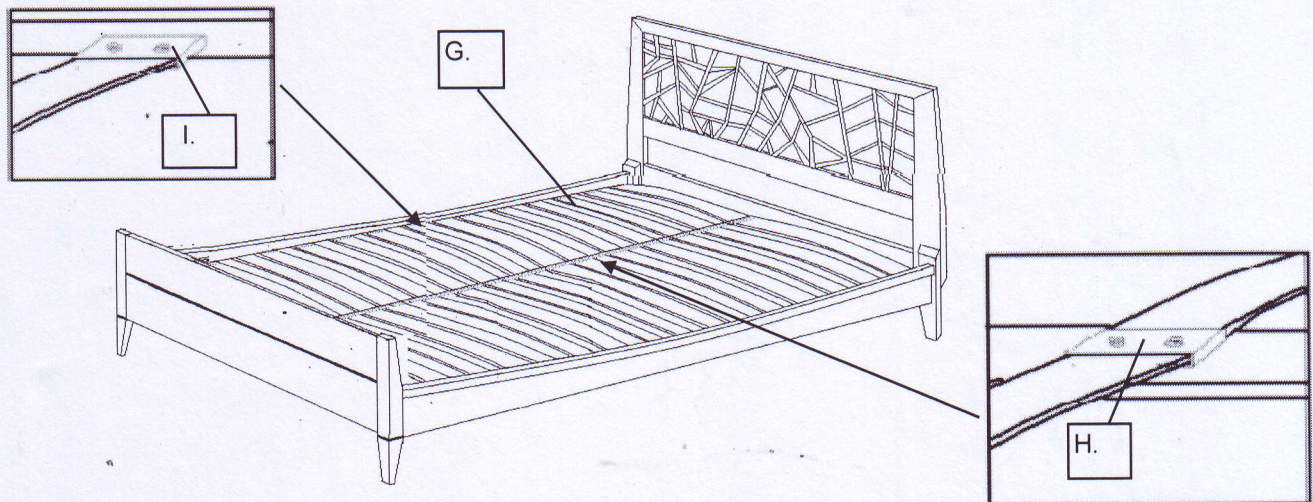


STEP 4.



C. CENTER SUPPORT

STEP 5.



FULLY ASSEMBLE