

MODEL : BBT6323 5' BED

ASSEMBLY INSTRUCTIONS

Read this instruction carefully. See hardware and furniture part list for guidance. Be sure all parts are complete, before you assemble. Place all wooden furniture parts on a clean and flat soft surface to prevent from being scratched. Follow the figure to start assembling.

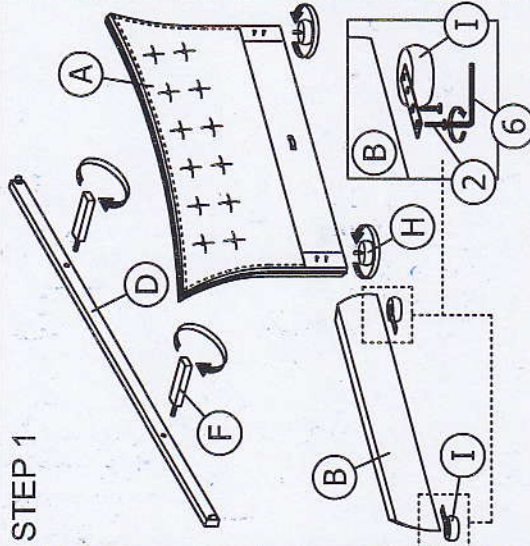
- CAUTIONS :**
1. Do not FULLY - TIGHTEN the nut or nut bolt until all nut or bolt is ready assembled.
 2. Do not OVER - TIGHTEN the nut or bolt to avoid causing damages to the thread.
 3. Keep all hardware parts out of reach of children.

NOTE : THE LIST AND QUANTITY SHOWN ARE FOR 1 UNIT ASSEMBLY.

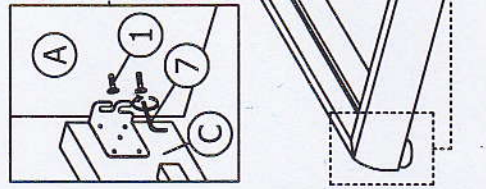
PART LIST		PART LIST	
ITEM	DESCRIPTION	QTY	DESCRIPTION
A	HEADBOARD	1-PC	JCBB BOLT M8 x 40mm
B	FOOTBOARD	1 PC	JCBC BOLT M6 x 20mm
C	SIDE RAIL	2 PCS	WOOD SCREW M3.5 x 16mm
D	CENTER RAIL	1 PC	BED SLAT SIDE FITTER
E	CENTER SUPPORT	2 PCS	BED SLAT CENTER FITTER
F	CENTER SUPPORT LEG	2 PCS	M4 ALLEN KEY
G	BED SLAT	26 PCS	M5 ALLEN KEY
H	HEADBOARD BED LEG	2 PCS	
I	FOOTBOARD BED LEG	2 PCS	

ITEM	DESCRIPTION	QTY
1	JCBB BOLT M8 x 40mm	8 PCS
2	JCBC BOLT M6 x 20mm	4 PCS
3	WOOD SCREW M3.5 x 16mm	8 PCS
4	BED SLAT SIDE FITTER	26 PCS
5	BED SLAT CENTER FITTER	13 PCS
6	M4 ALLEN KEY	1 PC
7	M5 ALLEN KEY	1 PC

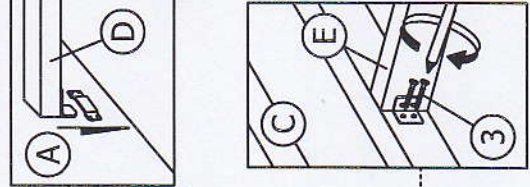
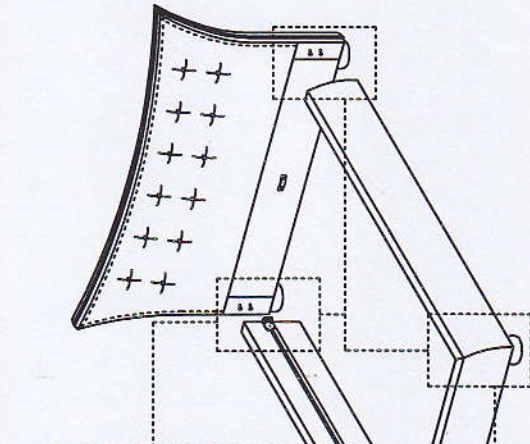
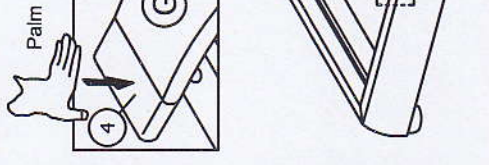
STEP 1



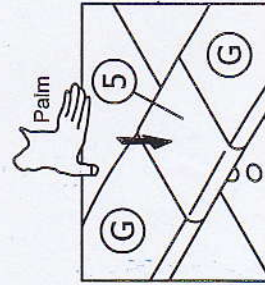
STEP 2



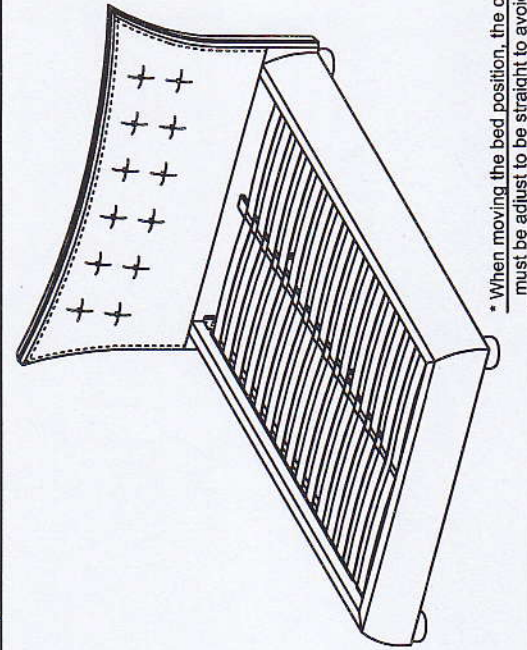
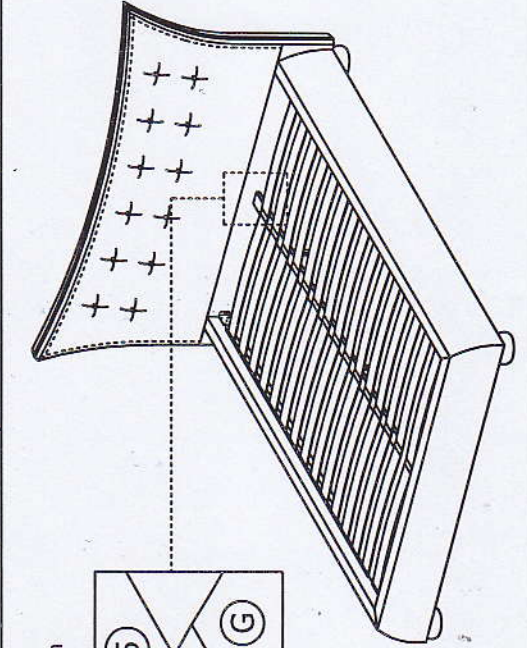
STEP 3



STEP 4



STEP 5



* When moving the bed position, the center support legs must be adjusted to avoid any broken problem.