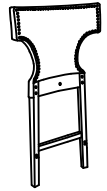


DO-6091

Ax1



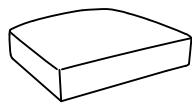
Back

Gx9



Plain cushion

Bx1



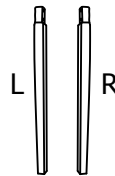
Seat

Hx9



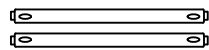
Shells pad

Cx2



Forelegs

Ix2



Side rail

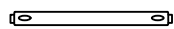
Dx5



M8x65MM

Screw

Jx1



Front rail

Ex4



M8x80MM

Screw

Kx1



Non-woven cloth

Fx6



Ø4x45MM

Screw

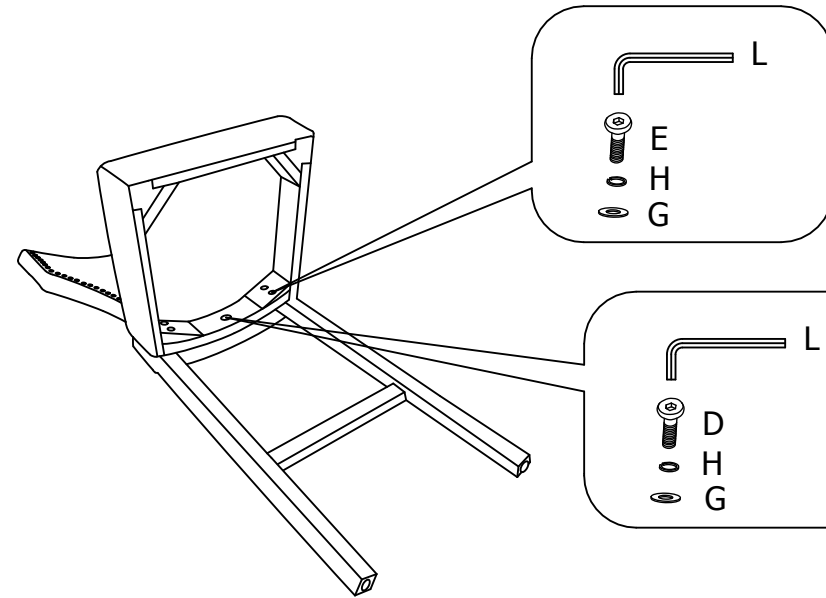
Lx1



M6

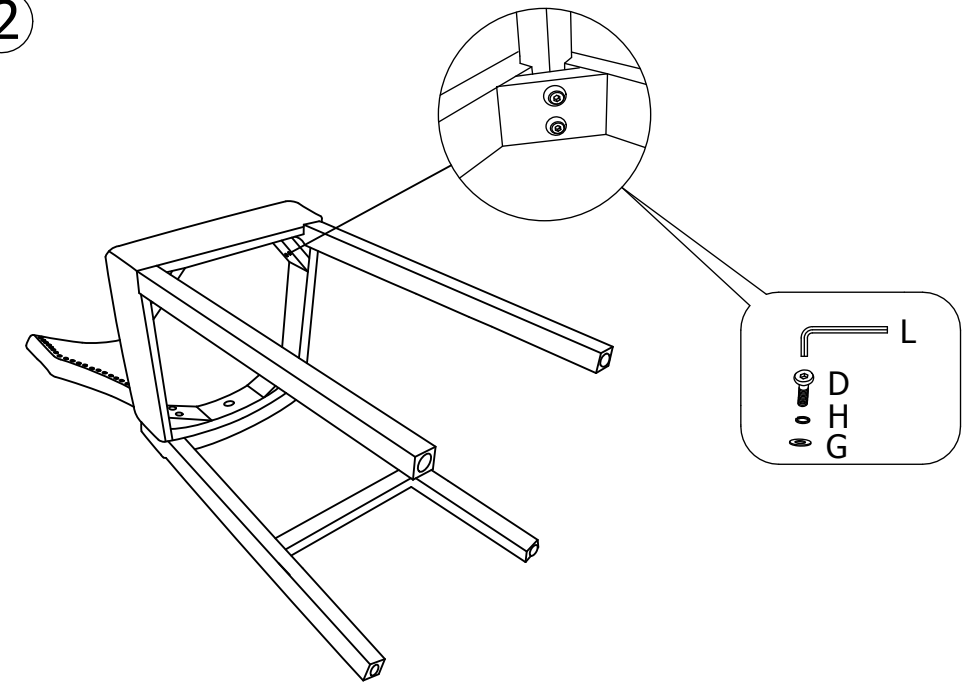
Allen key

1



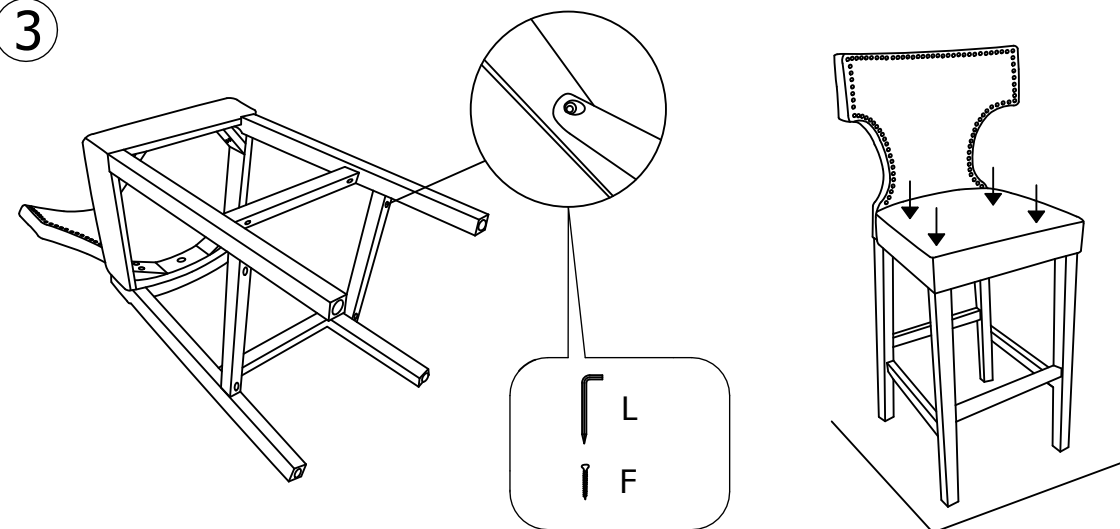
Put the screws in the holes, tight the screws, but not too tight, 90% is ok.

2



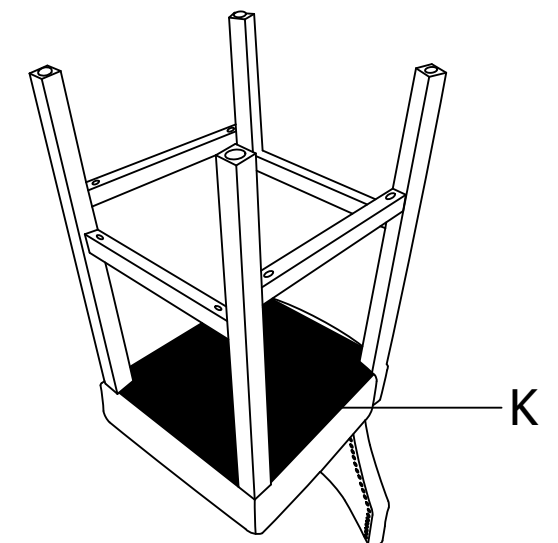
Put the screws in the holes, tight the screws, but not too tight, 90% is ok.

3



Then adjust balance of this chair, tight all the screws to 100%.

4



In the end, stick the non-woven cloth underneath the seat

WARNING:

DO NOT STAND ON THE CHAIR, DO NOT USE THIS CHAIR AS A STEP LADDER.

USE THIS PRODUCT ONLY FOR SEATING ONE PERSON AT A TIME.

DO NOT USE THIS CHAIR UNLESS ALL BOLTS, SCREWS AND KNOBS ARE FIRMLY SECURED.

AT LEAST EVERY 4 MONTHS, CHECK ALL BOLTS, SCREWS AND KNOBS TO BE SURE THEY ARE TIGHT.

IF PARTS ARE MISSING, BROKE, DAMAGED OR WORN, STOP USING THIS PRODUCT UNTIL YOU HAVE REPAIRED IT FULLY.

FAILURE TO FOLLOW THESE WARNINGS COULD RESULT IN SERIOUS INJURY.

PLEASE DO NOT USE KNIFE TO OPEN ANY PARTS OF THE BOX OR CHAIR.