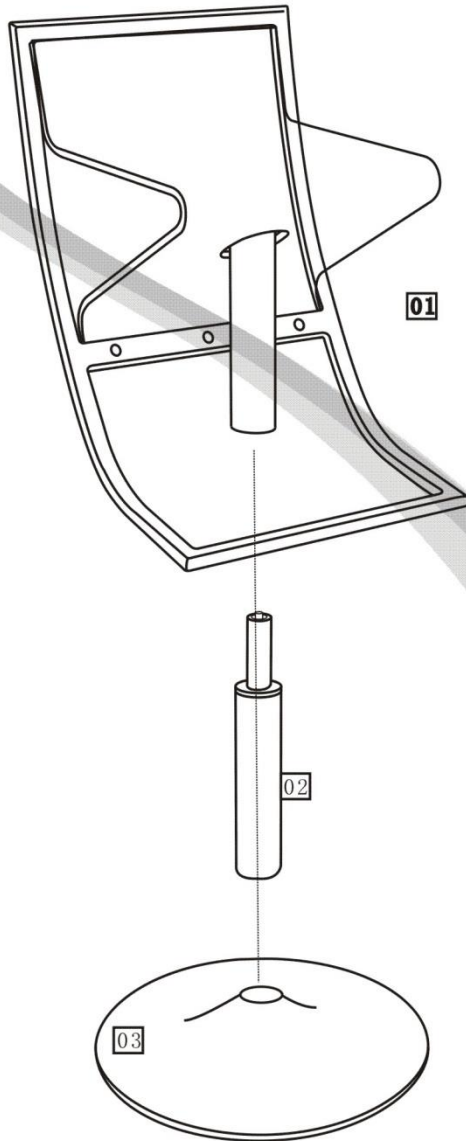


COMPONENT PARTS

FITTINGS



COMPONENT CHECKLIST

PART	No.	Qty.	
Seat	01	1	<input type="checkbox"/>
Lift	02	1	<input type="checkbox"/>
Base	03	1	<input type="checkbox"/>

TOOLS REQUIRED

Step

Pictures

Instruction

1



place the seat upside down

2



Unscrew 4 of the screws that attach the seat with the metal pole

3



Lift the pole an inch from the wooden seat

4



Look for 4 washers provided in the package

5



Put the first two washers together (two plies). Then, place the washers in between the metal pole and wood piece. Make sure that you can screw the metal pole and the washers to the back of the seat.

6



Then, repeat step 5 at a spot facing diagonally. Please make sure that there is visible gap in between the metal pole and the back of the seat.

7



Next, insert the piston into the metal pole

8



Insert the ring into the piston and attach the base. Make sure that it is secure tightly.

9



Then, place the bar stool upstraight and the bar stool is now ready to be adjusted to your preferred position.