

Read this instruction carefully. See hardware and furniture part list for guidance. Be sure all parts are complete, before you assemble. Place all wooden furniture parts on a clean and flat soft surface to prevent from being scratched. Follow the figure to start assembling.

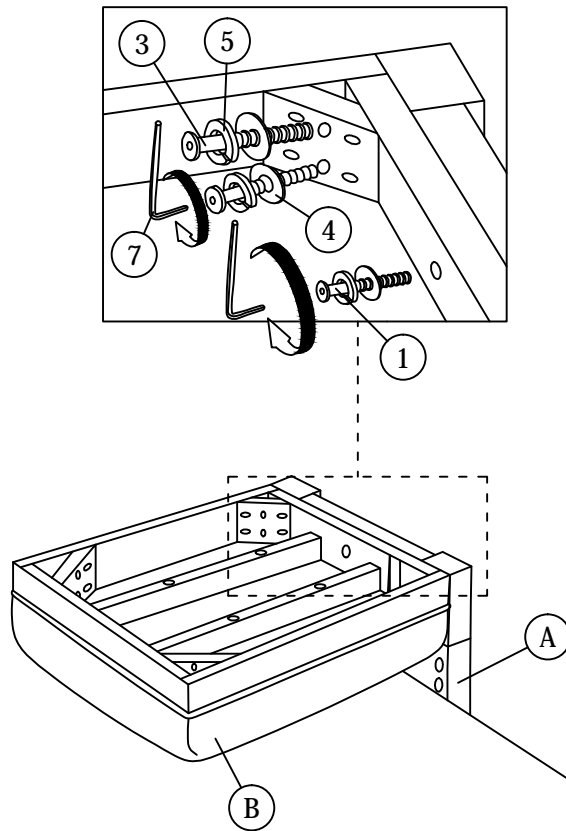
CAUTIONS : 1. Do not FULLY - TIGHTEN the nut or nut bolt until all nut or bolt is ready assembled.
2. Do not OVER - TIGHTEN the nut or bolt to avoid causing damages to the thread.
3. Keep all hardware parts out of reach of children.

NOTE : THE LIST AND QUANTITY SHOWN ARE FOR 1 UNIT ASSEMBLY.

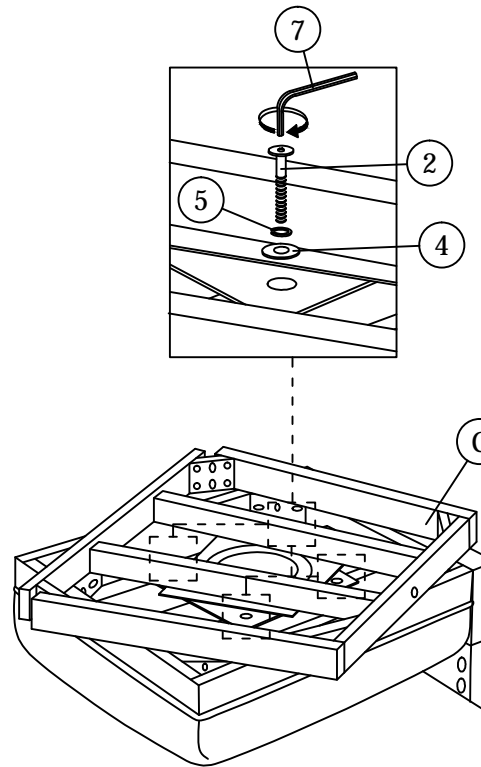
PART LIST		
ITEM	DESCRIPTION	QTY
A	CHAIR BACK	1pc
B	CUSHION SEAT	1pc
C	BOX SEAT	1pc
D	FRONT LEGS	2pcs
E	BACK LEGS	1pc
F	FRONT STRETCHER	1pc
G	SIDE STRETCHER	2pcs

PART LIST		
ITEM	DESCRIPTION	QTY
1	JCBC Bolt M6 x 40mm	2pcs
2	JCBC Bolt M6 x 60mm	8pcs
3	JCBC Bolt M6 x 80mm	8pcs
4	M6 Flat Washer	18pcs
5	M6 Spring Washer	18pcs
6	Wood Screw M4 x 32mm	6pcs
7	M4 Allen Key (Ball Shape)	1pc

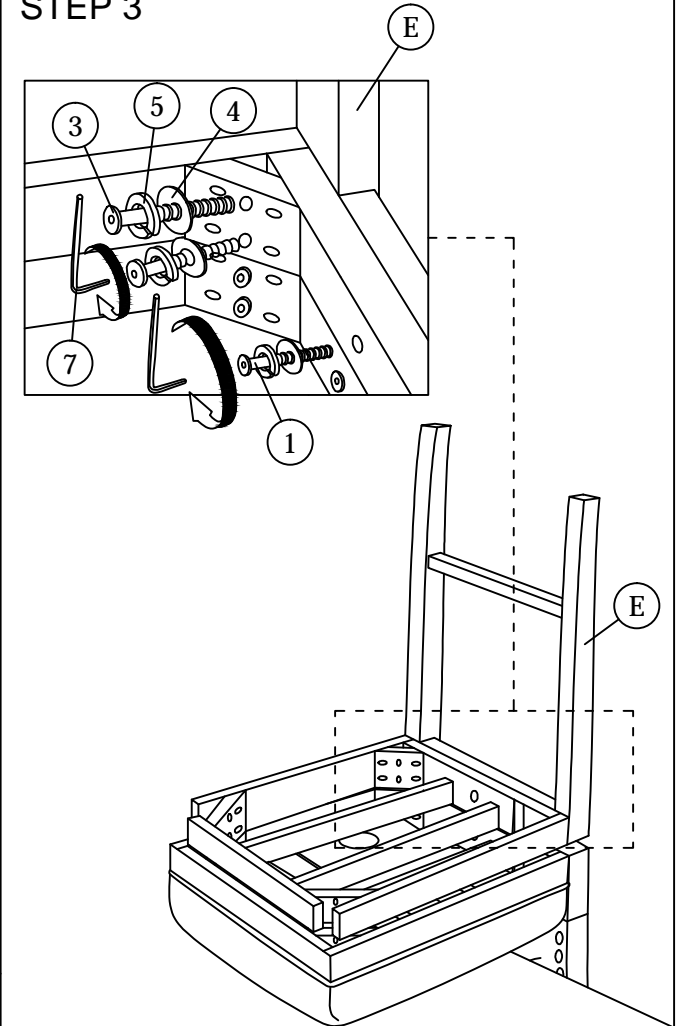
STEP 1



STEP 2

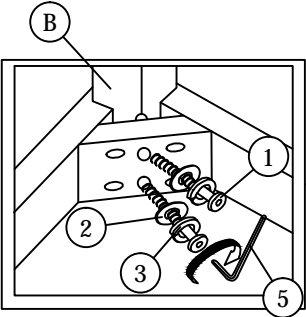
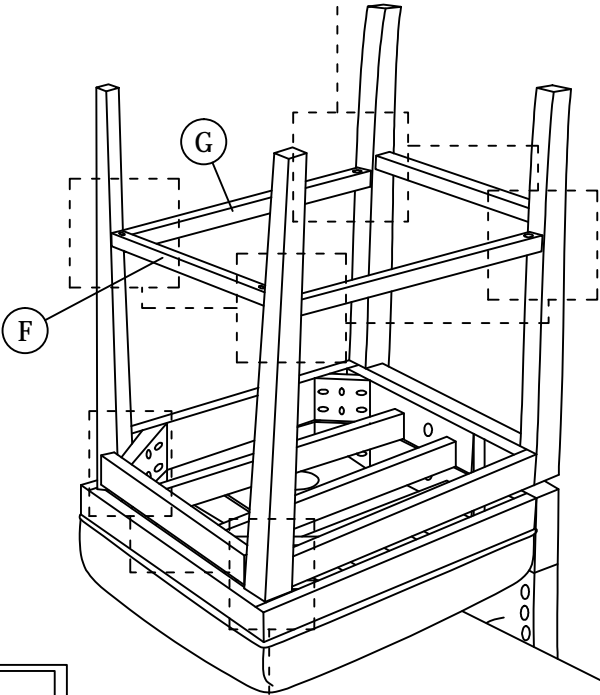
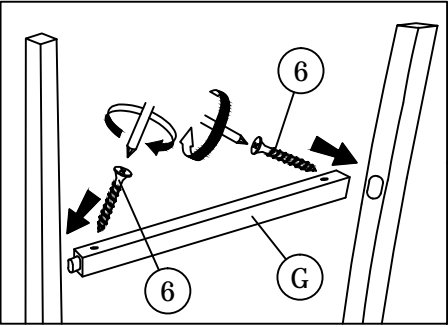


STEP 3



ASSEMBLY INSTRUCTIONS

STEP 4



STEP 5

