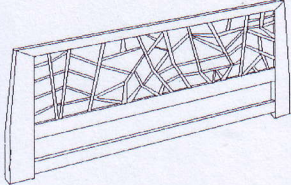
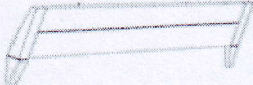
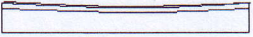
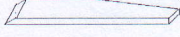
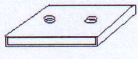
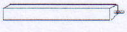


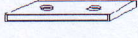


ASSEMBLY INSTRUCTION


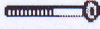


MODEL: BD-01 KING BED

WHEN DOING ASSEMBLY, PLEASE FOLLOW ASSEMBLY INSTRUCTION CAREFULLY.
FOLLOW THEM STEP BY STEP.

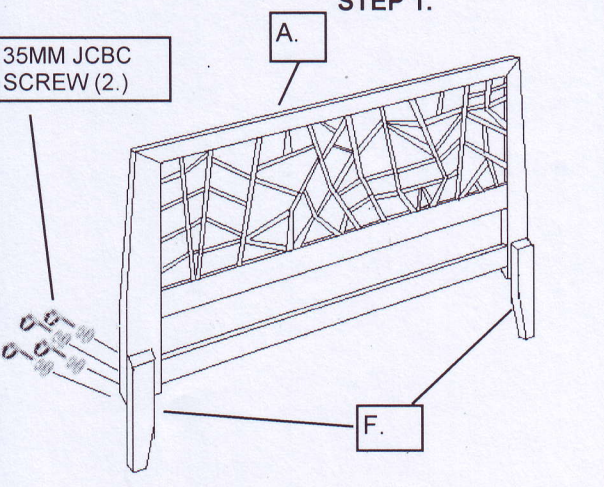
PART LIST

| | | | | |
|--|--|--|--|---|
|  A. HEAD BOARD 1 PC |  B. FOOT BOARD 1 PC |  D. SIDE RAIL 2 PCS |  F. HEAD BOARD LOWER LEG 2 PCS |  H. CENTER CAP 26 PCS |
| |  C. CENTER SUPPORT 4 PCS |  E. CENTER RAIL 2 PC |  G. BEN WOOD 39 PCS |  I. SIDE CAP 26 PCS |

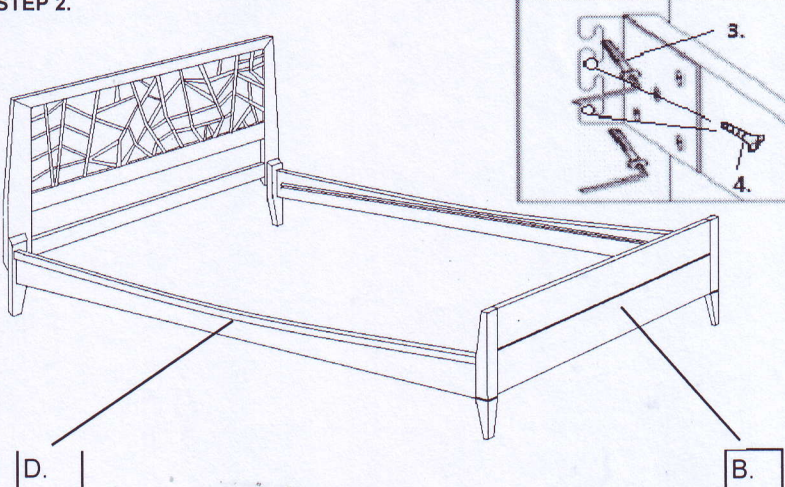
HARDWARE LIST

| | | | |
|--|---|--|---|
|  1. "L" BRACKET 2 PCS |  2. 35MM JCBC SCREW 8 PCS |  3. 20MM JCBC SCREW 14 PCS |  4. 15MM SCREW 24 PCS |
|--|---|--|---|

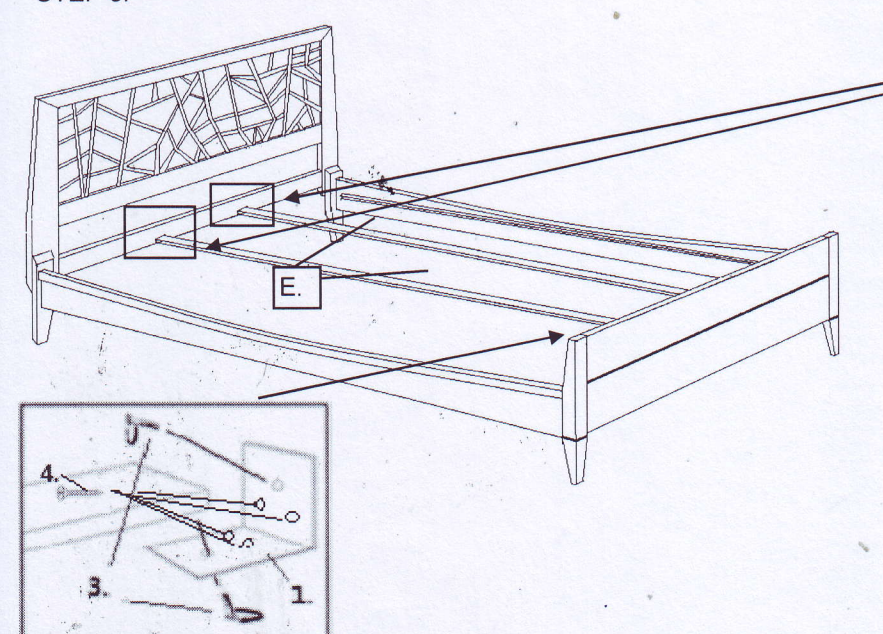
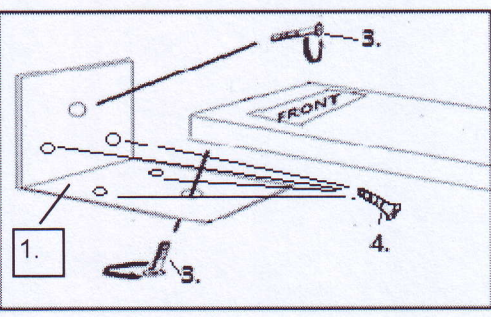
STEP 1.



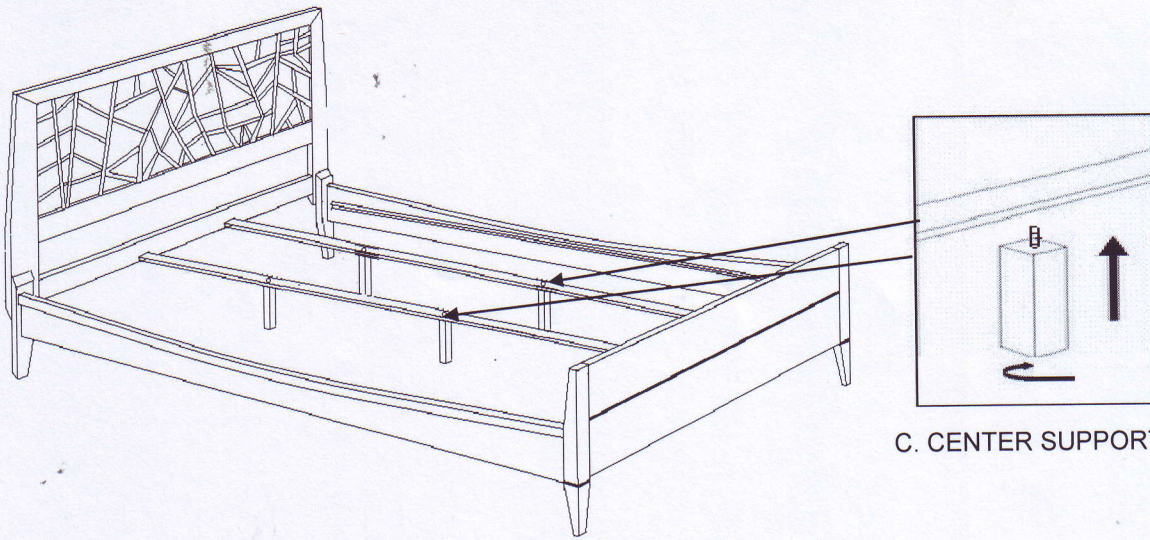
STEP 2.



STEP 3.

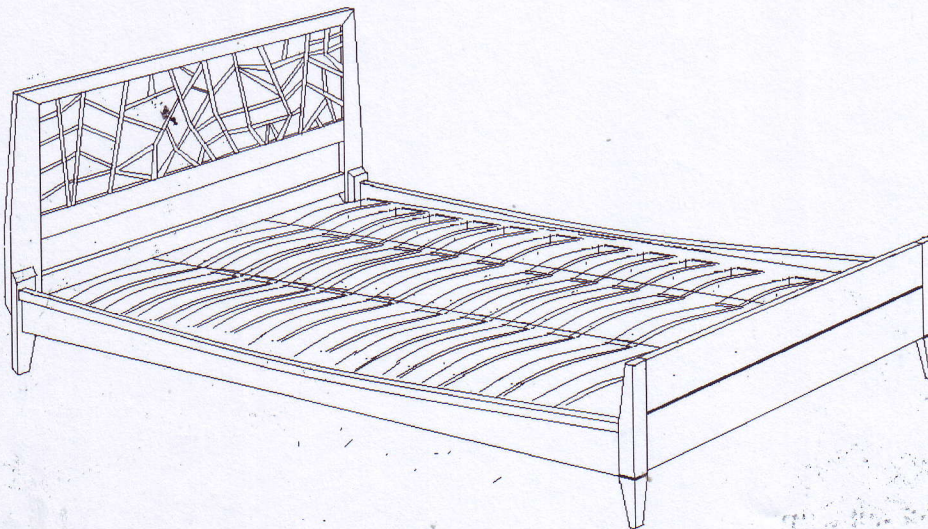
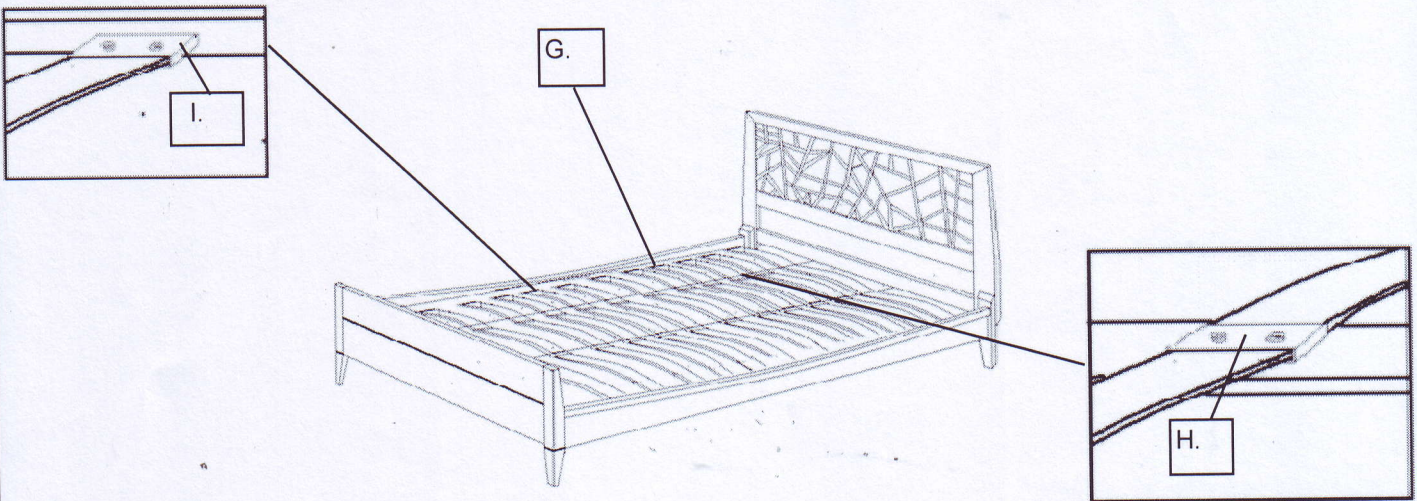



STEP 4.



C. CENTER SUPPORT

STEP 6.



FULLY ASSEMBLE