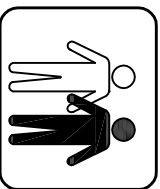
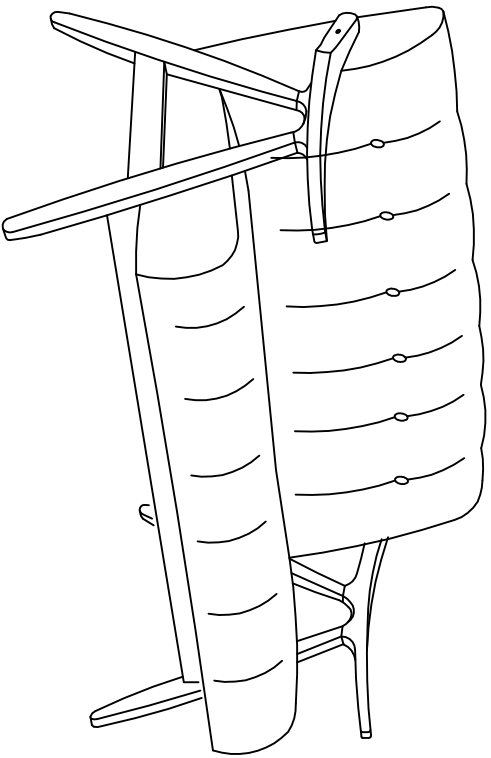


ASSEMBLY INSTRUCTIONS



2 PEOPLE REQUIRED

ASSEMBLY TIPS

1. Remove hardware from box and sort by size.
2. Please check to see that all hardware and parts are present prior start of assembly.
3. Please follow attached instructions in the same sequence as as numbered to assure fast and easy assembly.
4. Estimated 45 minutes required for assembly.



Warning !

1. Don't attempt to repair or modify parts that are broken or defective. Please contact the store immediately.
2. This product is for home use only and not intended for commercial establishments.

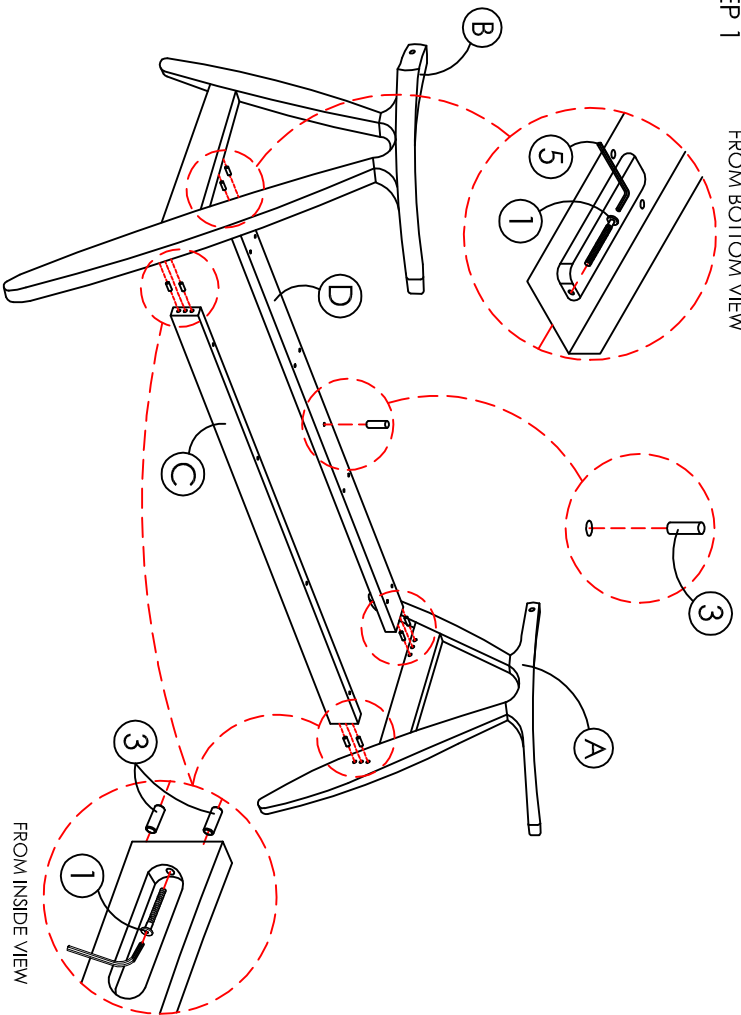
HARDWARE LIST

1	5	10 PCS	1 PC
JCBC M6 x 50mm	ALLEN KEY (M4)		
12 PCS	6	4 PCS	
WOOD SCREW 4.0 x 38mm	SPRING WASHER		
9 PCS	7	4 PCS	
WOOD DOWEL Ø10 x 30mm	FLAT WASHER		
2 PCS			
WOODEN CAP Ø15.2mm			

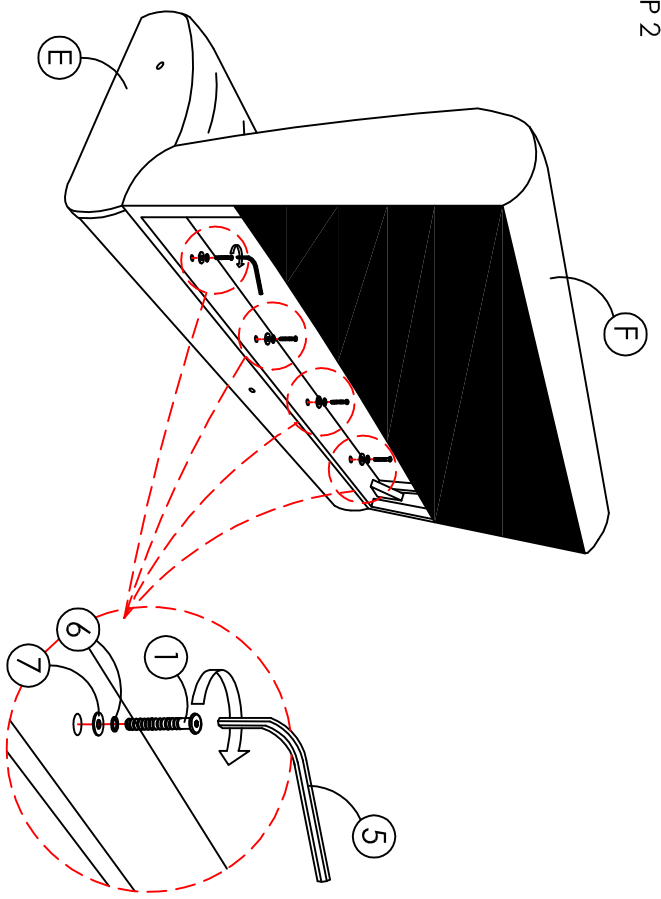
COMPONENT LIST

A	1 PC		D	1 PC	
B	1 PC		E	1 PC	
C	1 PC		F	1 PC	

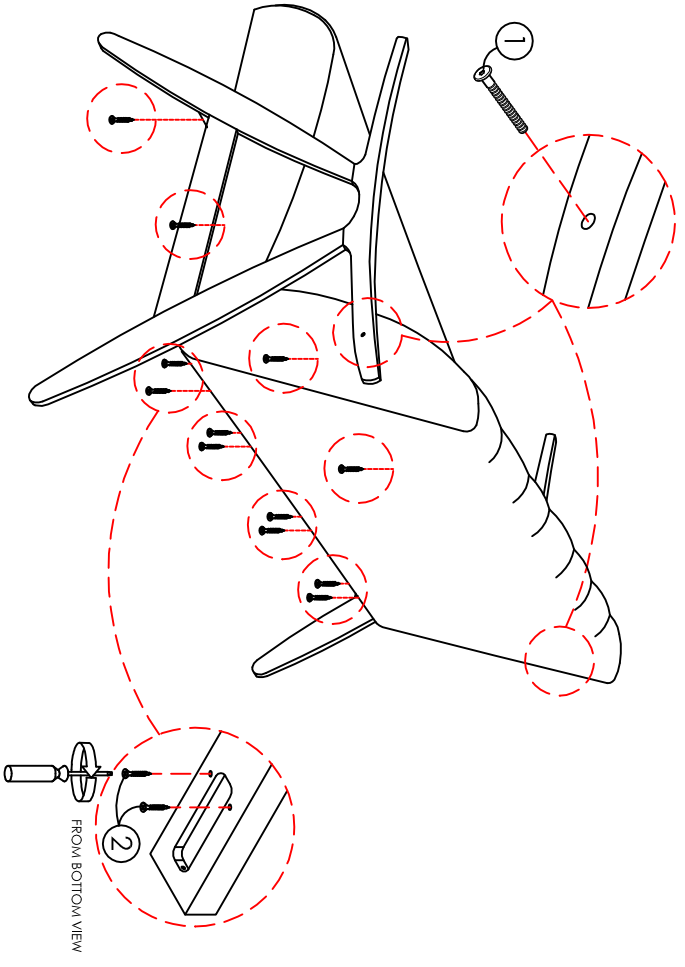
STEP 1 FROM BOTTOM VIEW



STEP 2



STEP 3



STEP 4

