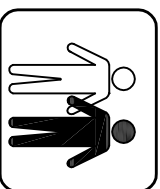
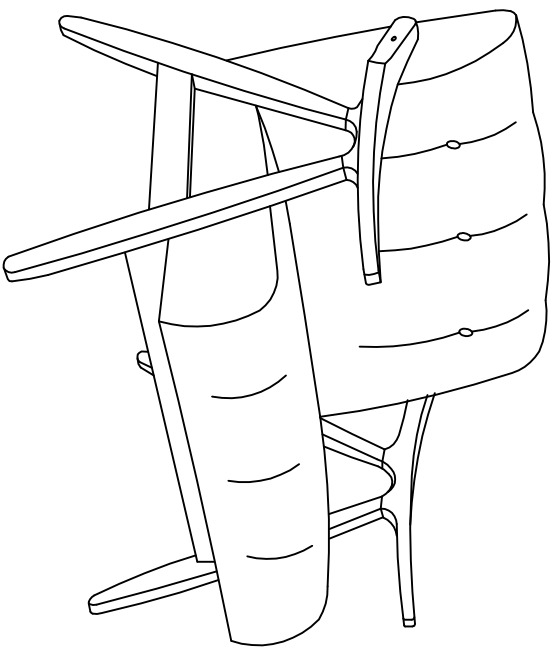
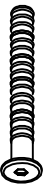








ASSEMBLY INSTRUCTIONS



2 PEOPLE REQUIRED

HARDWARE LIST			
1		8 PCS	5
	JCBC M6 x 50mm		
2		6 PCS	6
	ALLEN KEY (M4)		
3		9 PCS	7
	WOOD SCREW 4.0 x 38mm		
4		2 PCS	
	WOOD DOWEL Ø10 x 30mm		
			
	FLAT WASHER		
			
	SPRING WASHER		
			
	WOODEN CAP Ø15,2mm		

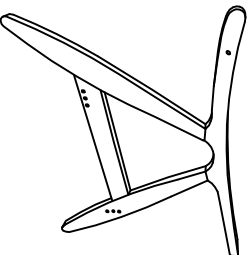
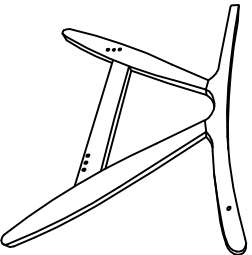
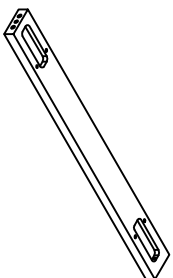
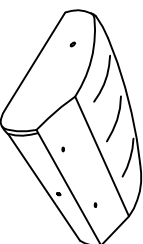
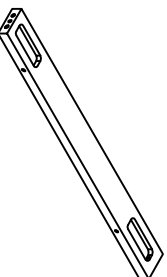

ASSEMBLY TIPS

1. Remove hardware from box and sort by size.
2. Please check to see that all hardware and parts are present prior start of assembly.
3. Please follow attached instructions in the same sequence as as numbered to assure fast and easy assembly.
4. Estimated 45 minutes required for assembly.

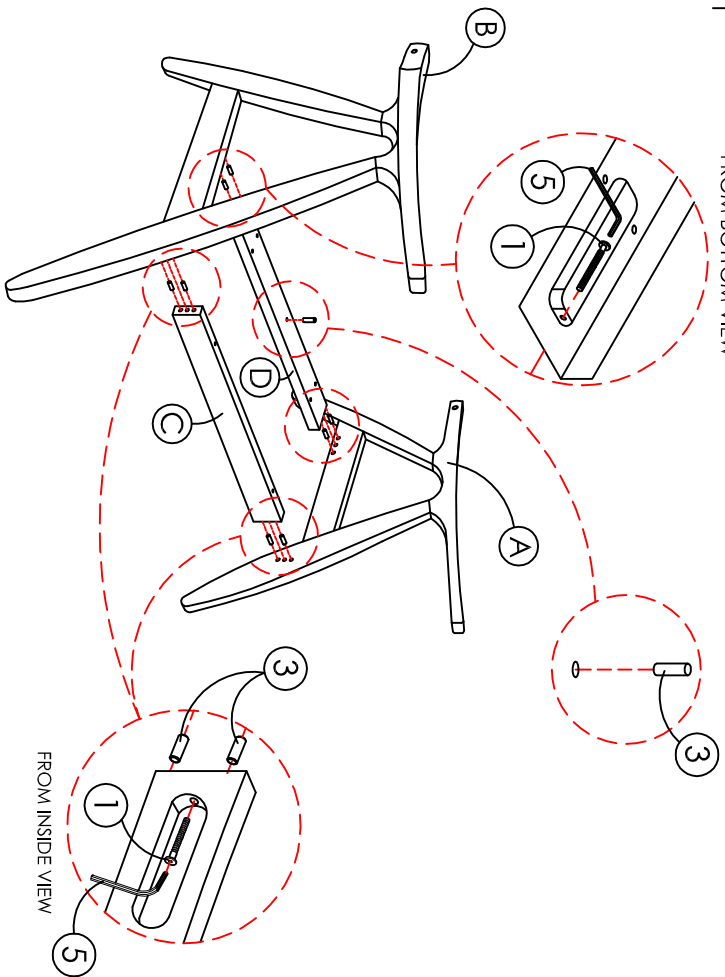


Warning !

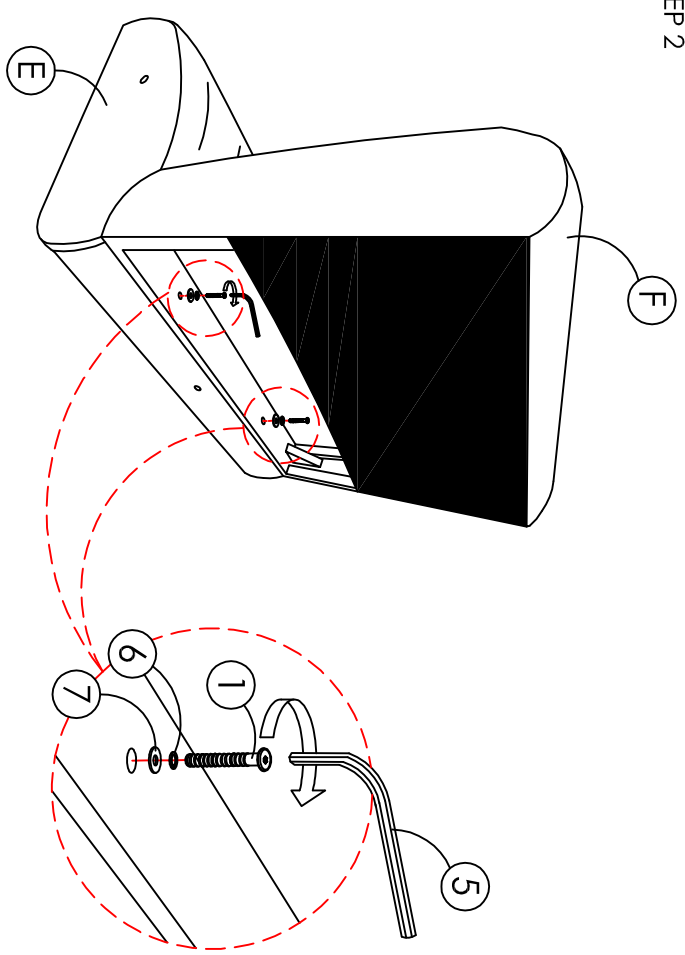
1. Don't attempt to repair or modify parts that are broken or defective. Please contact the store immediately.
2. This product is for home use only and not intended for commercial establishments.

COMPONENT LIST			
A		1 PC	D
	ARM CHAIR (RIGHT)		
B		1 PC	E
	ARM CHAIR (LEFT)		
			
	BACK RAIL		
			
	BACK REST		
C		1 PC	F
	FRONT RAIL		
			
	SEAT DECK		

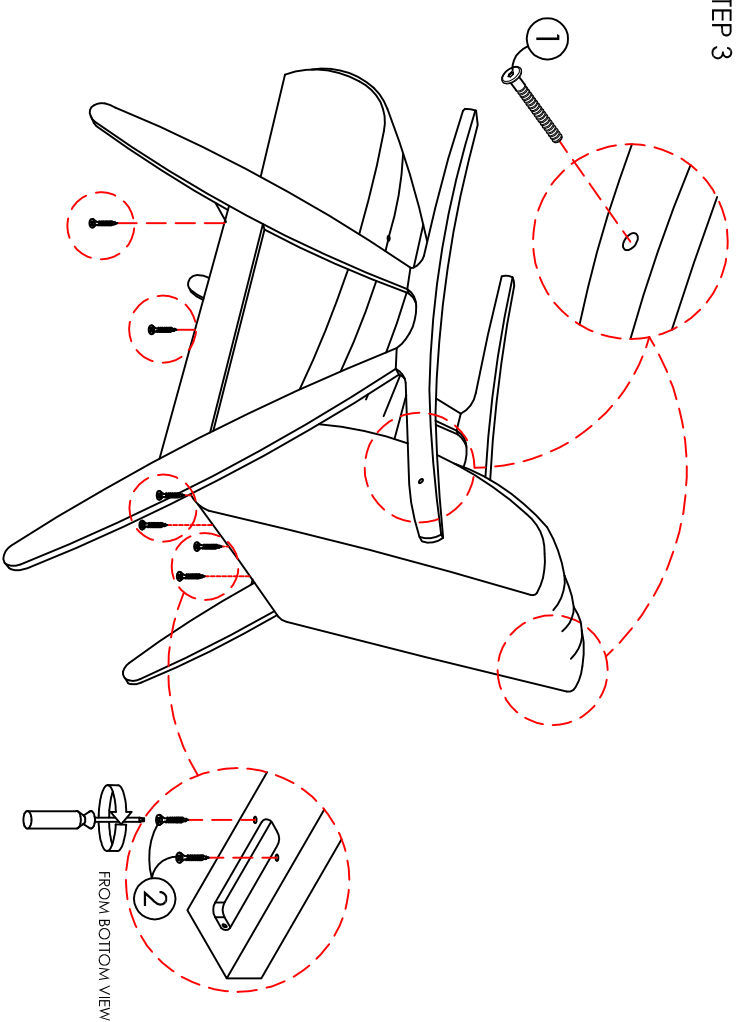
STEP 1 FROM BOTTOM VIEW



STEP 2



STEP 3



STEP 4

