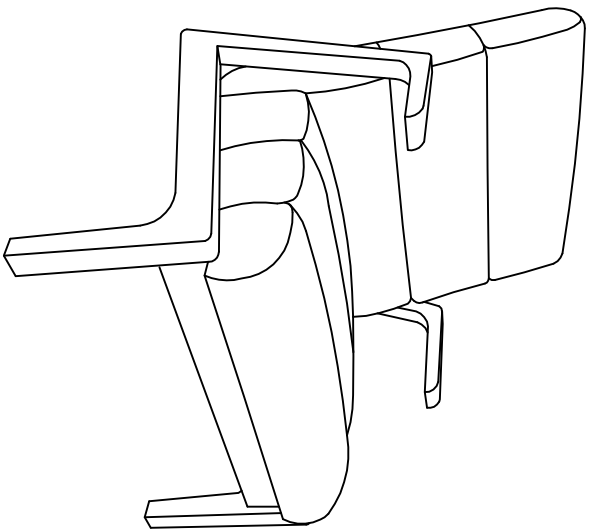


# ASSEMBLY INSTRUCTIONS



- ASSEMBLY TIPS**
1. Remove hardware from box and sort by size.
  2. Please check to see that all hardware and parts are present prior start of assembly.
  3. Please follow attached instructions in the same sequence as numbered to assure fast and easy assembly.
  4. Estimated 45 minutes required for assembly.



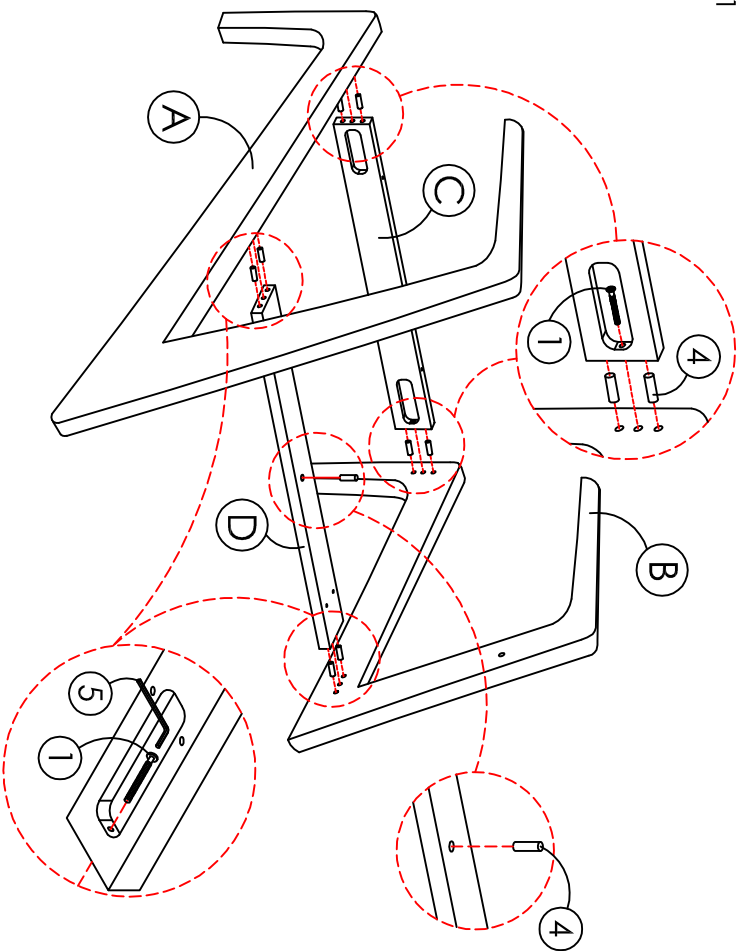
**Warning !**

1. Don't attempt to repair or modify parts that are broken or defective. Please contact the store immediately.
2. This product is for home use only and not intended for commercial establishments.

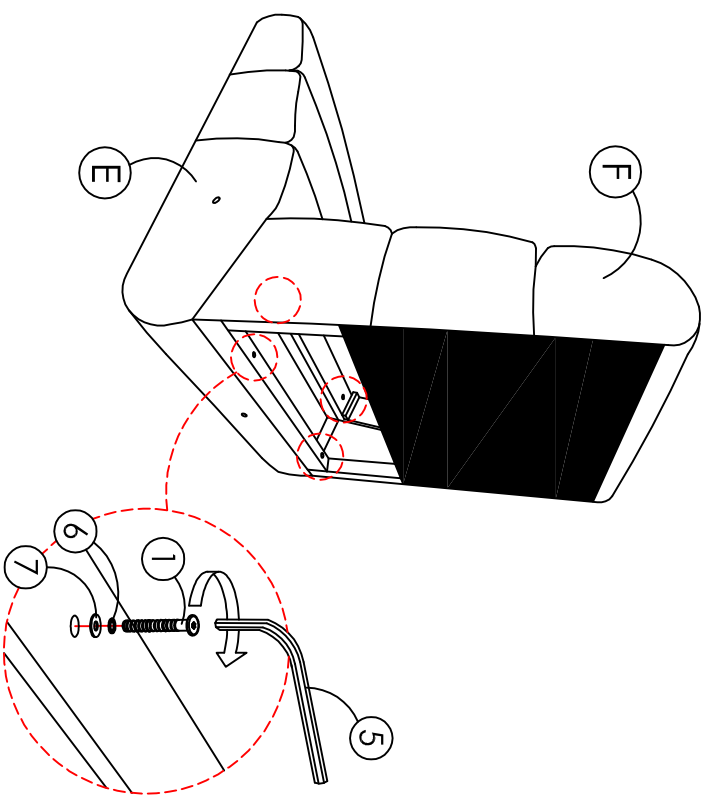
HARDWARE LIST			
1	2	3	4
8 PCS	5	1 PC	
JCBC M6 x 50mm	6	ALLEN KEY (M4)	
2 PCS	7	6 PCS	
JCBC M6 x 40mm		SPRING WASHER	
6 PCS		6 PCS	
JCBC M6 x 40mm		FLAT WASHER	
WOOD SCREW 4.0 x 38mm			
9 PCS			
WOOD DOWEL Ø10 x 30mm			

COMPONENT LIST			
A	B	C	D
1 PC	1 PC	1 PC	1 PC
ARM CHAIR (RIGHT)	ARM CHAIR (LEFT)	FRONT RAIL	BACK RAIL
			1 PC
			BACK REST
			1 PC
			SEAT DECK
			1 PC

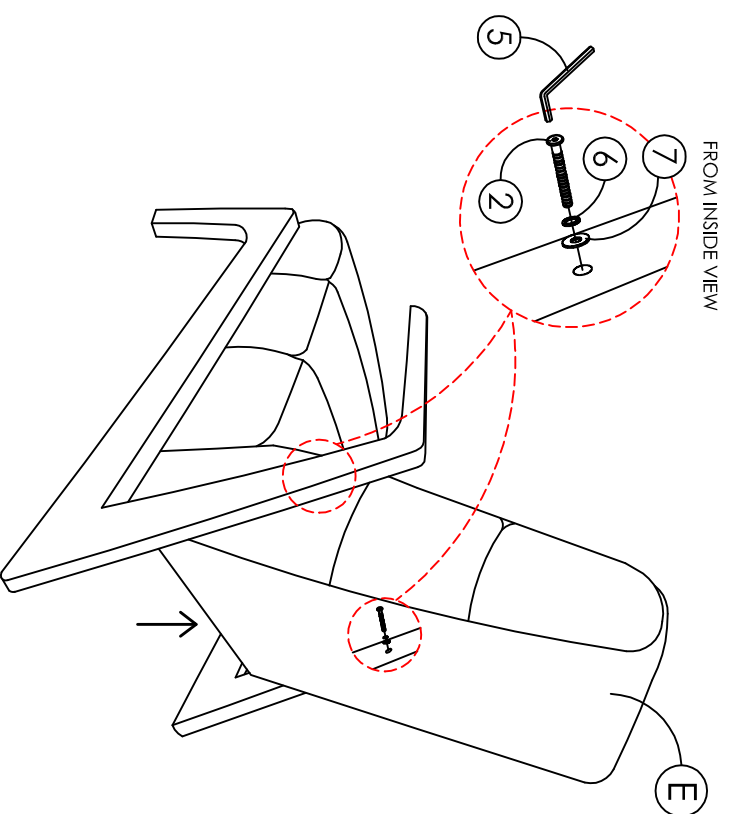
STEP 1



STEP 2



STEP 3



STEP 4

