

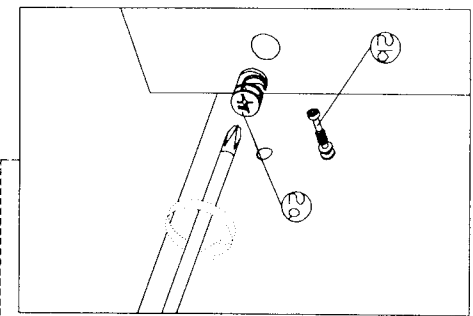
Assembly Instruction



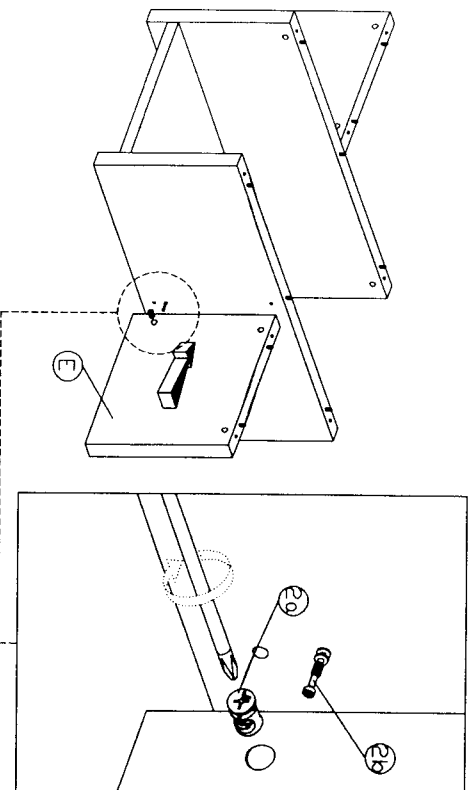
Model : CT - 1190

	<input checked="" type="checkbox"/>		<input type="checkbox"/>		<input checked="" type="checkbox"/>		<input checked="" type="checkbox"/>		<input checked="" type="checkbox"/>		<input type="checkbox"/>
SOFT DRY CLOTH		CHEMICAL		HEAT		KEEP DRY		HANDLE WITH CARE		DO NOT USE KNIFE	

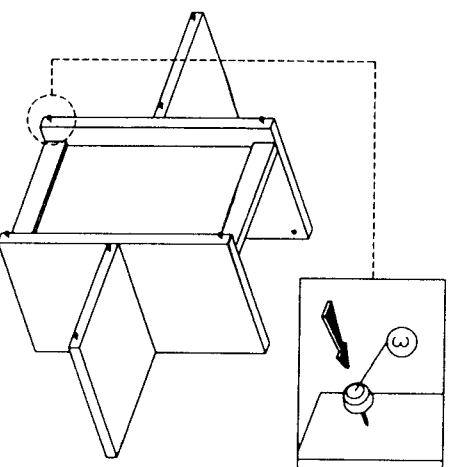
Step 6



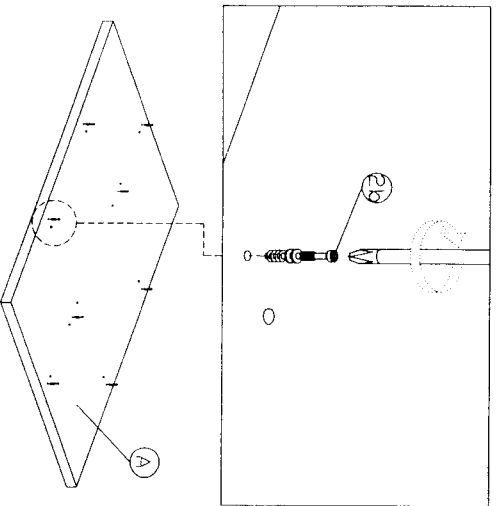
Step 7



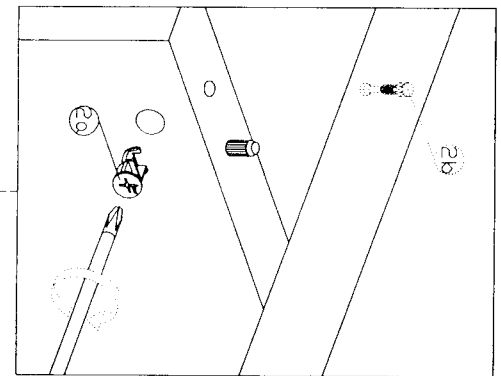
Step 8



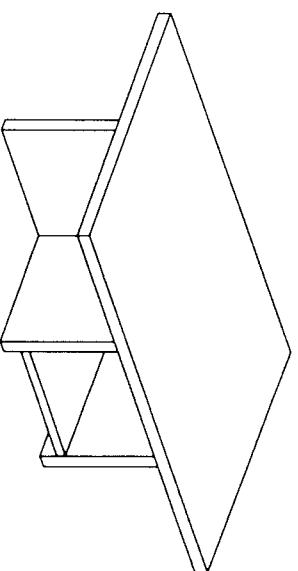
Step 9



Step 10



Complete



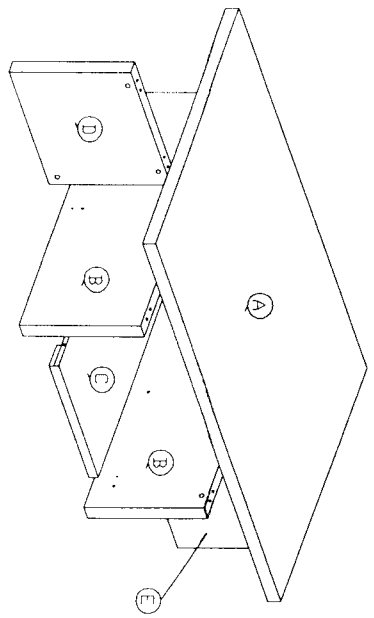
Assembly Instruction



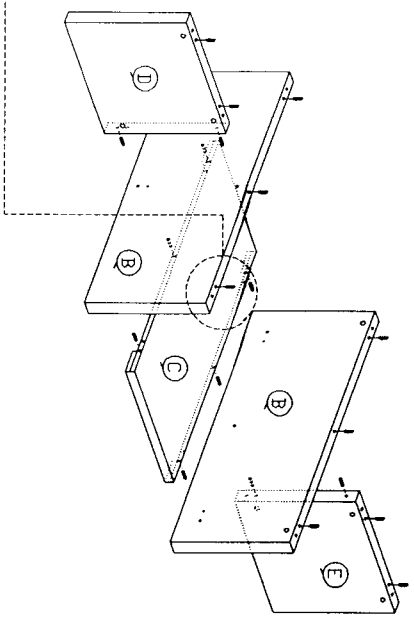
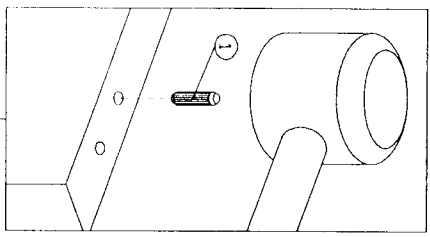
Model : CT - 1190

1		2		3	
	8 x 25mm	2 a	2 b		
	1X20	14 Sets			
					1X8

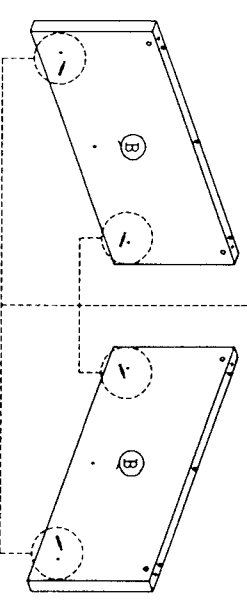
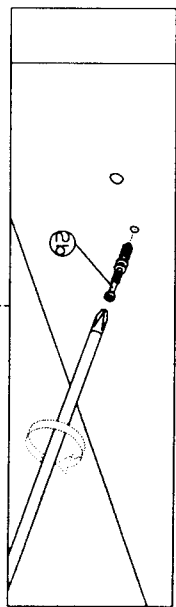
PART LIST



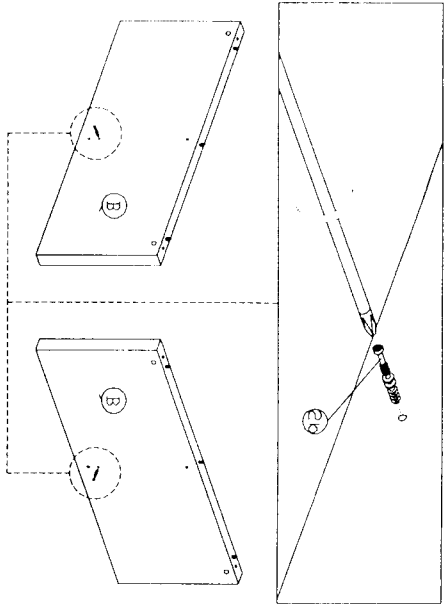
Step 1



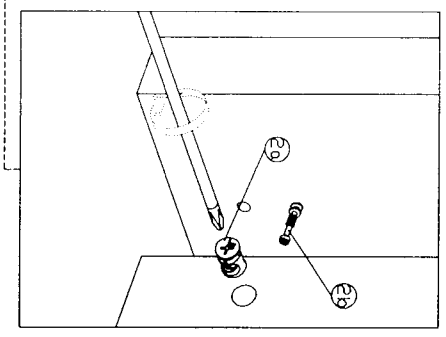
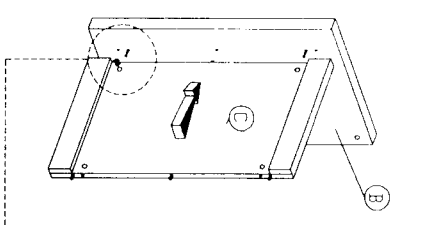
Step 2



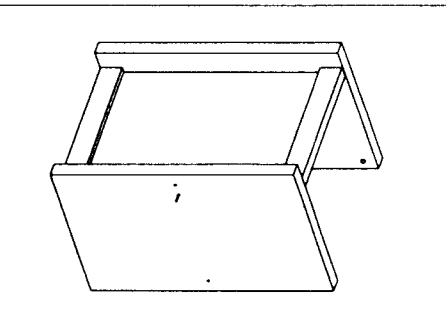
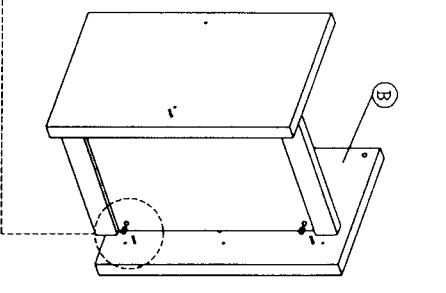
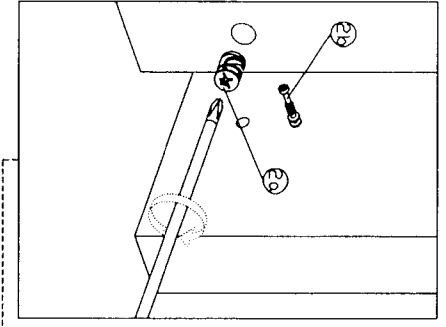
Step 3



Step 4



Step 5



<input checked="" type="checkbox"/>		<input checked="" type="checkbox"/>		<input checked="" type="checkbox"/>		<input checked="" type="checkbox"/>		<input checked="" type="checkbox"/>		<input checked="" type="checkbox"/>	
	SOFT DRY CLOTH		CHEMICAL		HEAT		KEEP DRY		HANDLE WITH CARE		DO NOT USE POWER

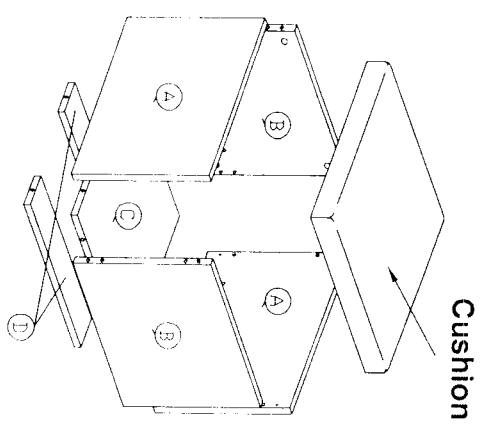
Assembly Instruction



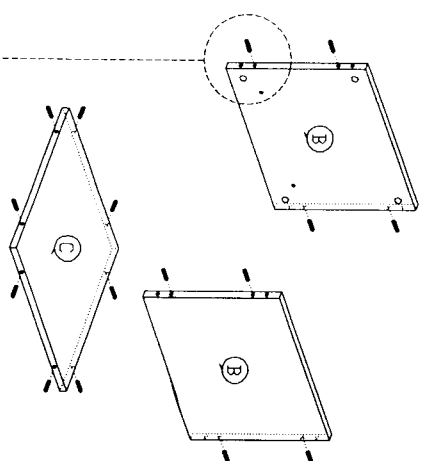
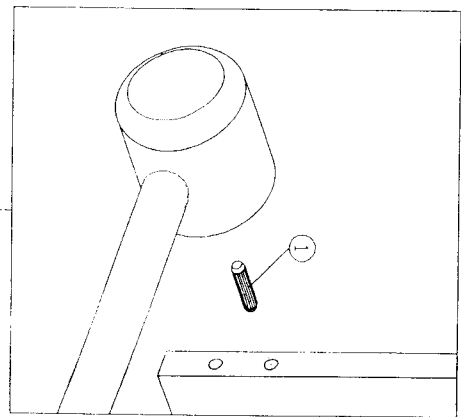
Model : CTS - 1190

1		2		3		4	
	8 x 25mm 1X16		3.5 x 12mm 1X16		3 a 3 b 12 Sets		1X4

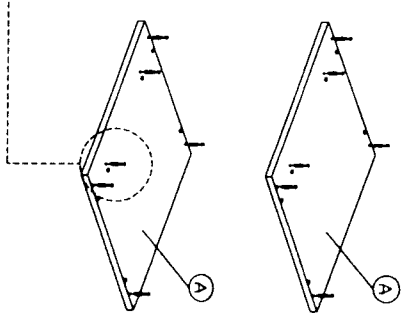
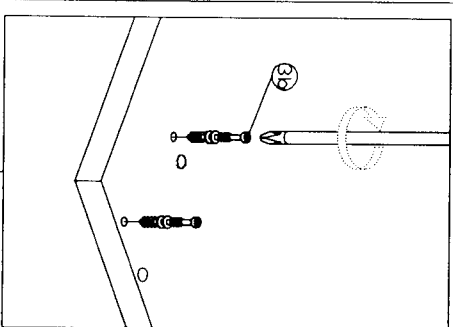
PART LIST



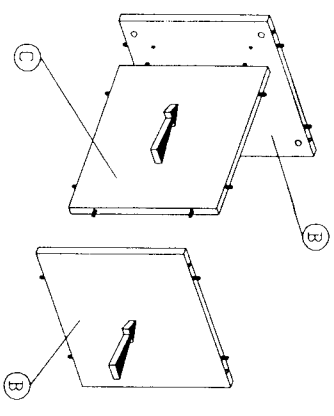
Step 1



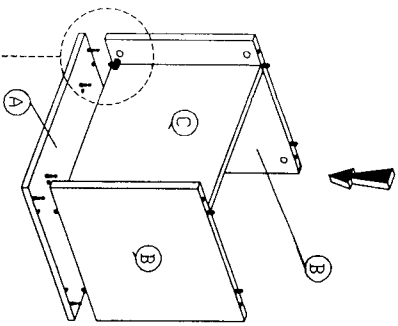
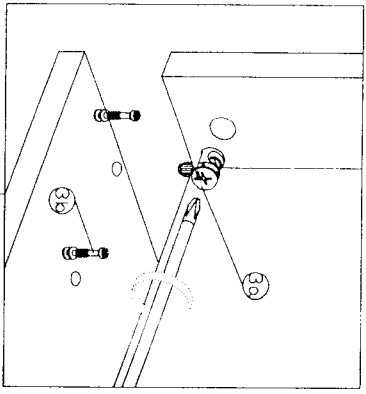
Step 2



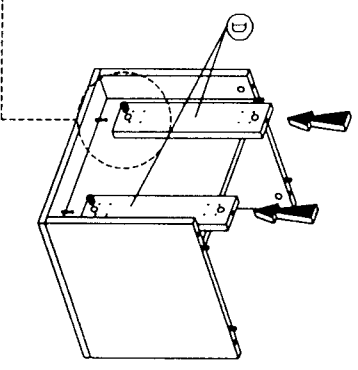
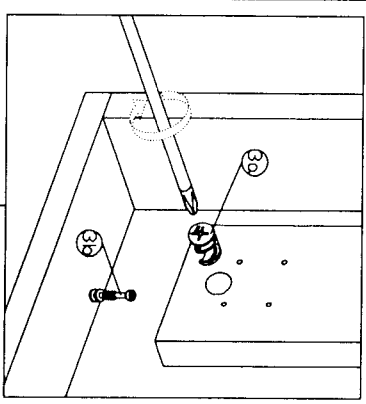
Step 3



Step 4



Step 5



	<input checked="" type="checkbox"/>		<input type="checkbox"/>		<input checked="" type="checkbox"/>		<input checked="" type="checkbox"/>		<input checked="" type="checkbox"/>		<input type="checkbox"/>
SOFT DRY CLOTH		CHEMICAL		HEAT		KEEP DRY		HANDLE WITH CARE		DO NOT USE	

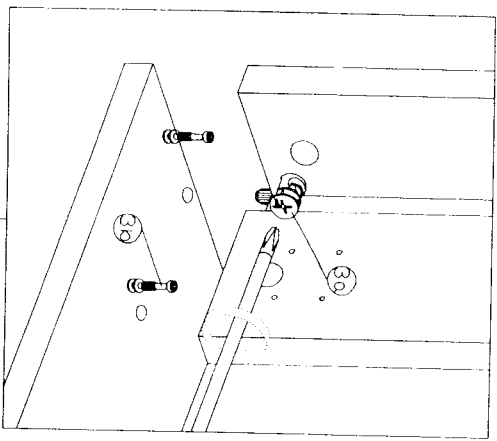
Assembly Instruction

Model : CTS - 1190

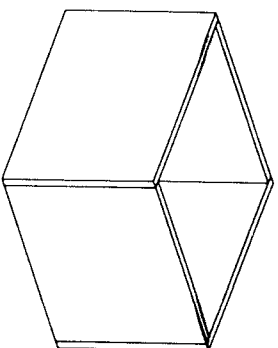
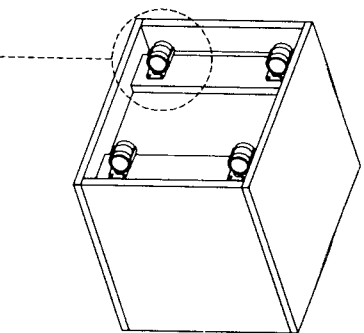
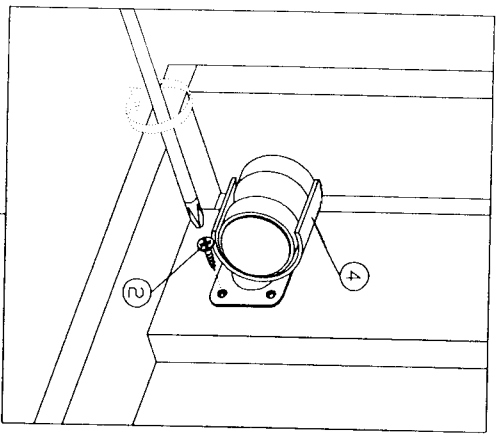


	<input checked="" type="checkbox"/>		<input checked="" type="checkbox"/>		<input checked="" type="checkbox"/>		<input checked="" type="checkbox"/>		<input checked="" type="checkbox"/>		<input checked="" type="checkbox"/>
SOFT DRY CLOTH		CHEMICAL		HEAT		KEEP DRY		HANDLE WITH CARE		DO NOT USE SHARP	

Step 6

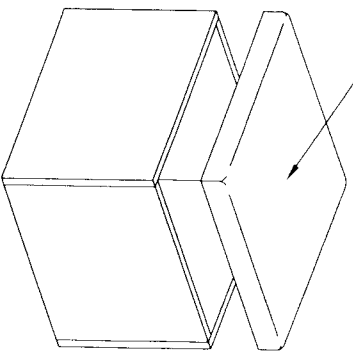


Step 7

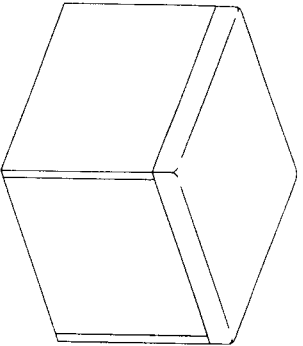


Step 8

Cushion

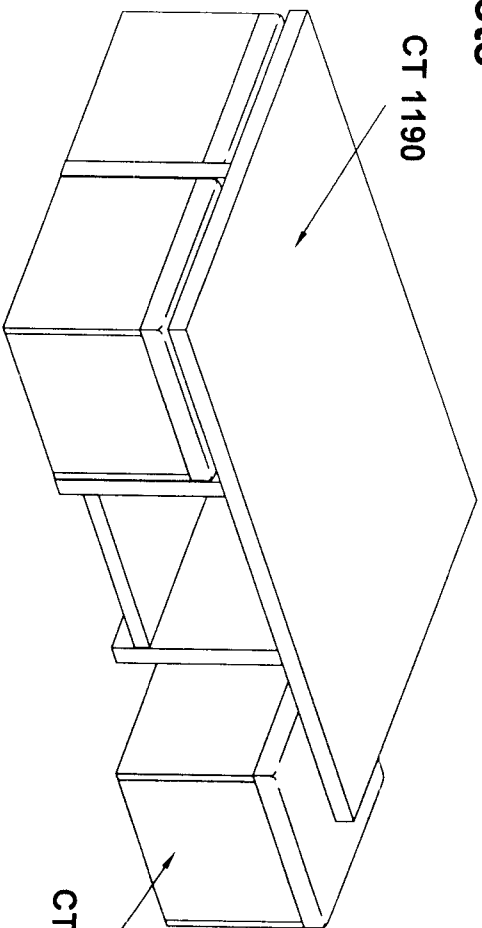


Step 9



Complete

CT 1190



CTS 1190