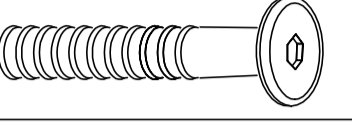
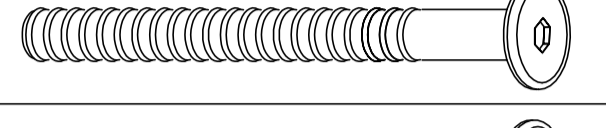

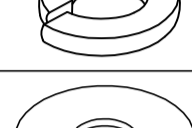




ASSEMBLY INSTRUCTIONS

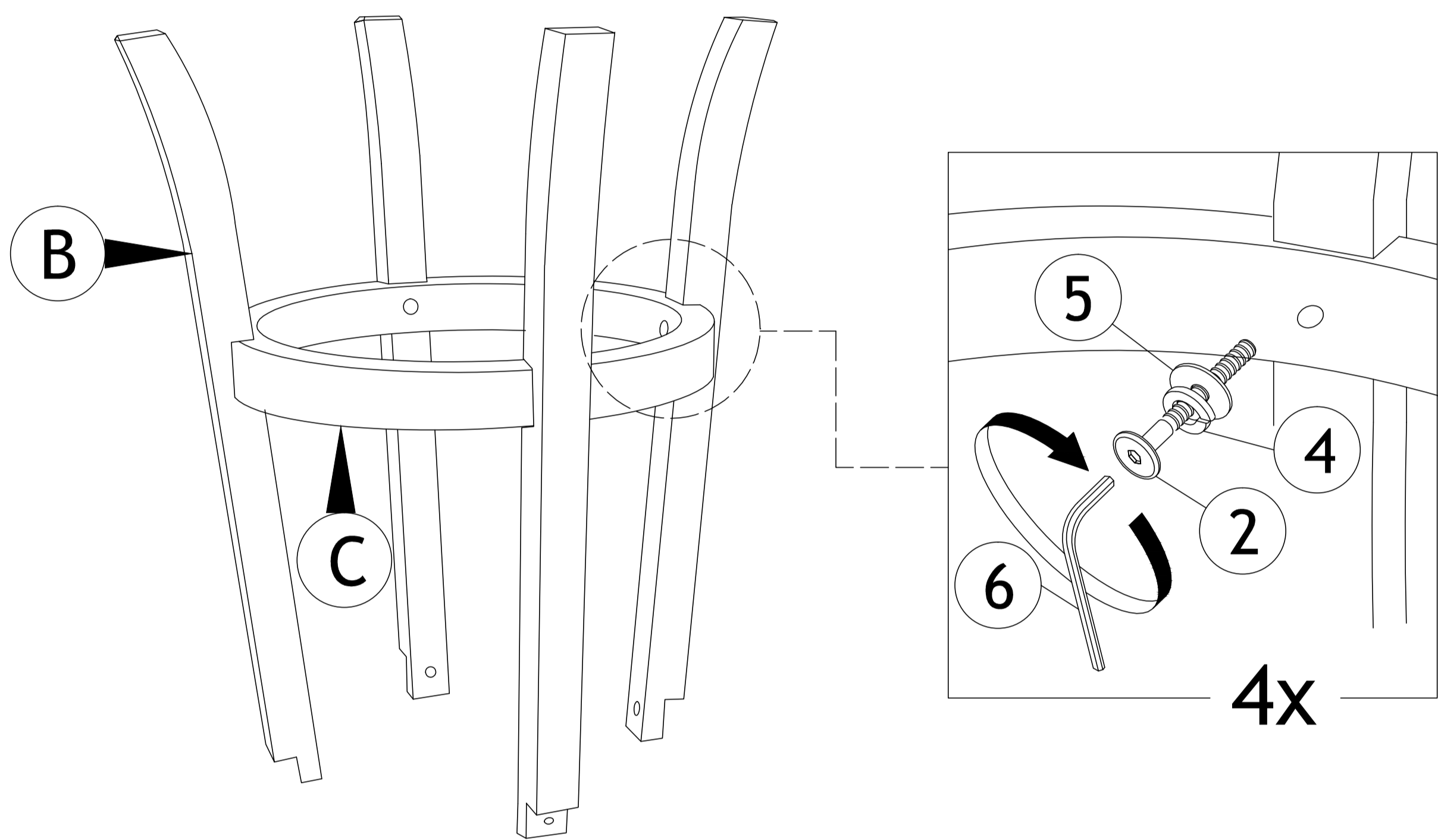
MODEL: BE1300C (Apron D size same with footrest C)

Read this instruction carefully. Refer hardware and furniture parts list for guidance. Be sure all parts are complete, before assembling. Place all wooden furniture part on a clean and flat soft surface to prevent scratches. Refer steps provided as assembling guide.

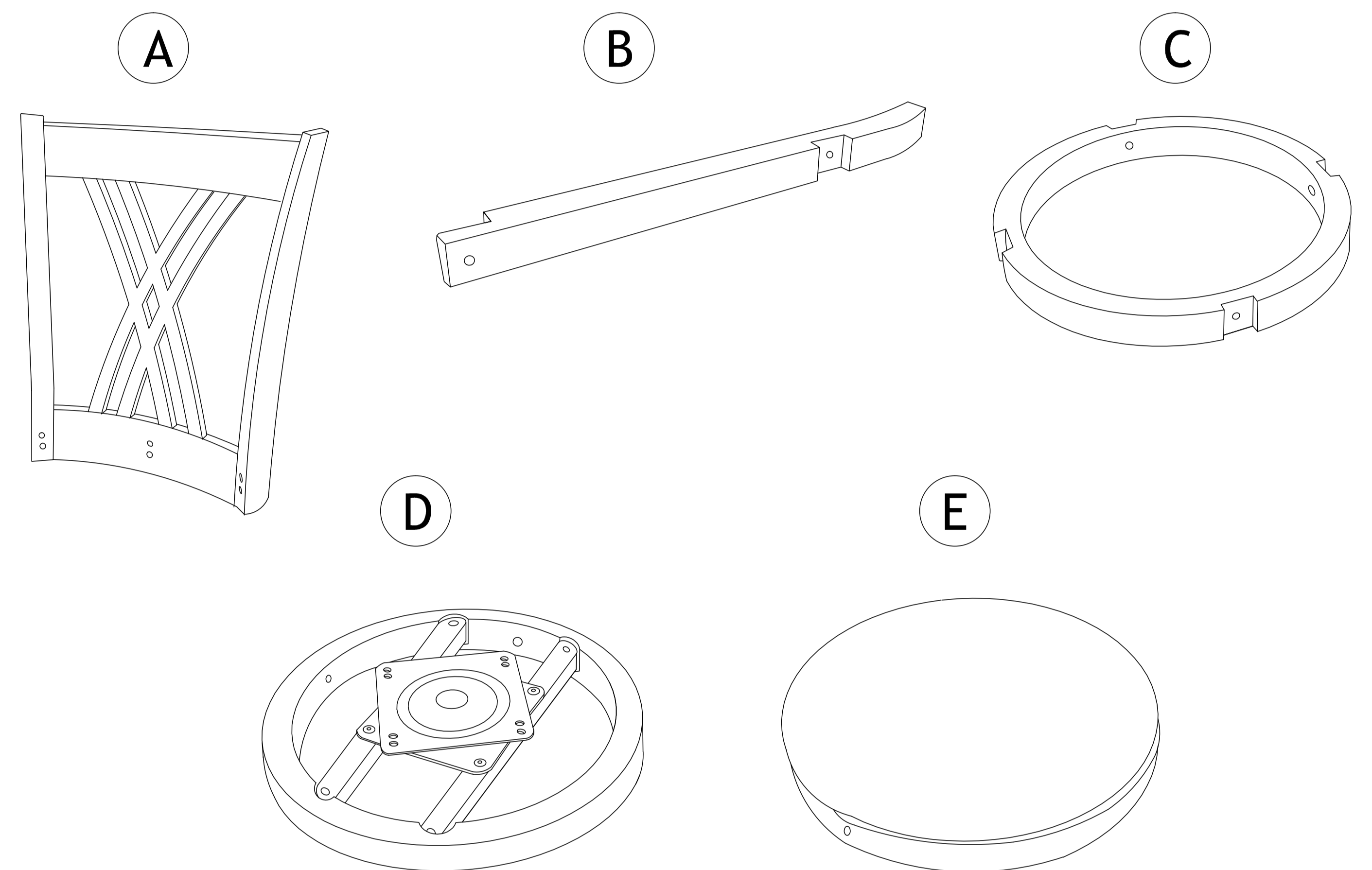
PART LIST		
ITEM	DESCRIPTION	QTY
A	Backrest	1 PC
B	Chair Leg	4 PCS
C	Footrest	1 PC
D	Apron with swivel plate	1 PC
E	Apron with Cushion	1 PC

HARDWARE LIST		
ITEM	DESCRIPTION	QTY
1	JCBC Screw M6 x 25MM 	4 PCS
2	JCBC Screw M6 x 40MM 	4 PCS
3	JCBC Screw M6 x 45MM 	10 PCS
4	Spring Washer M6 x 13MM 	14 PCS
5	Flat Washer M6 x 16.5MM 	14 PCS
6	Allen Key Small M4 x 110 	1 PC

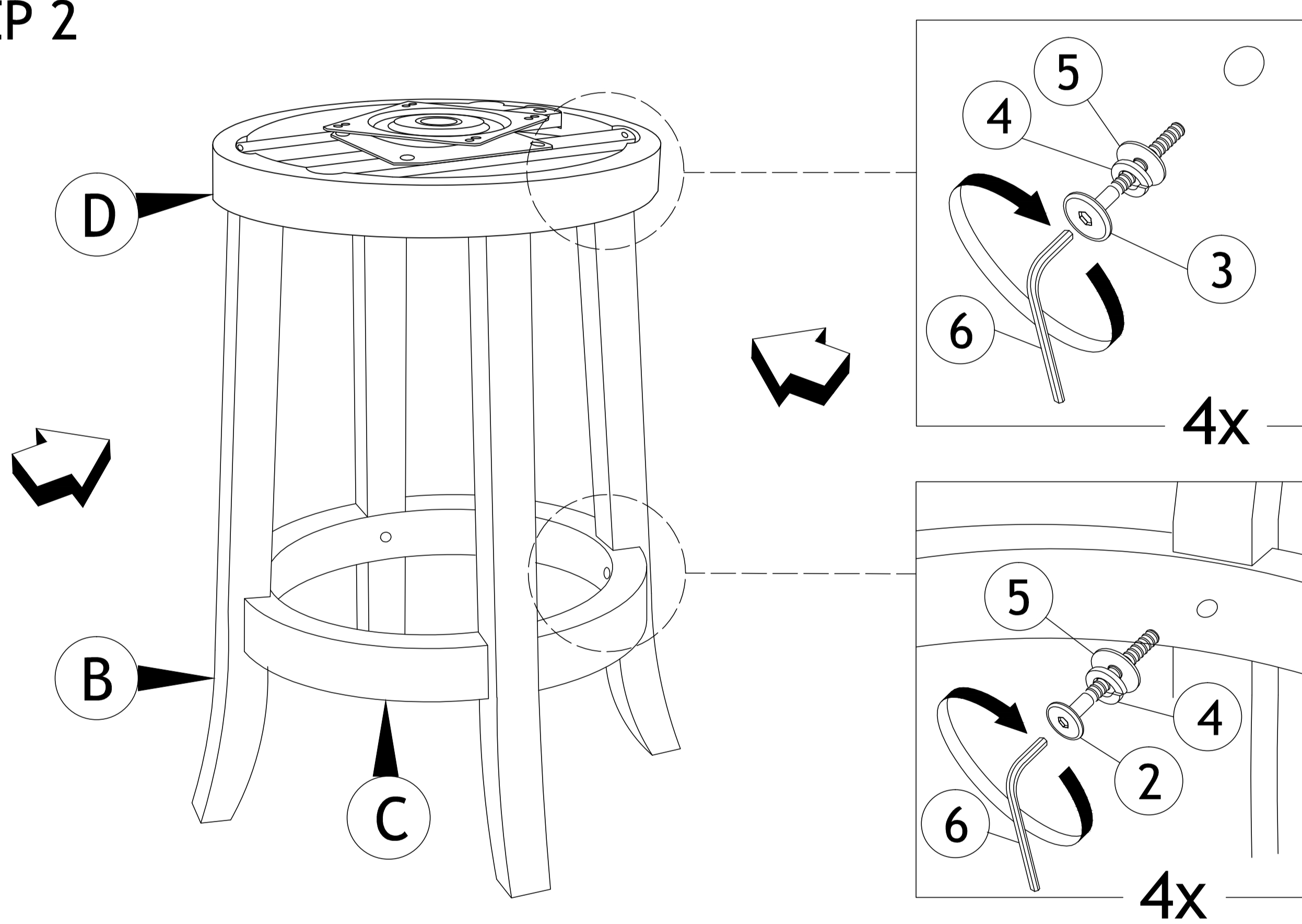
STEP 1



Attach part(B) with part(C). Insert each individual set of hardware as per picture shown. Do not tighten any hardware completely.

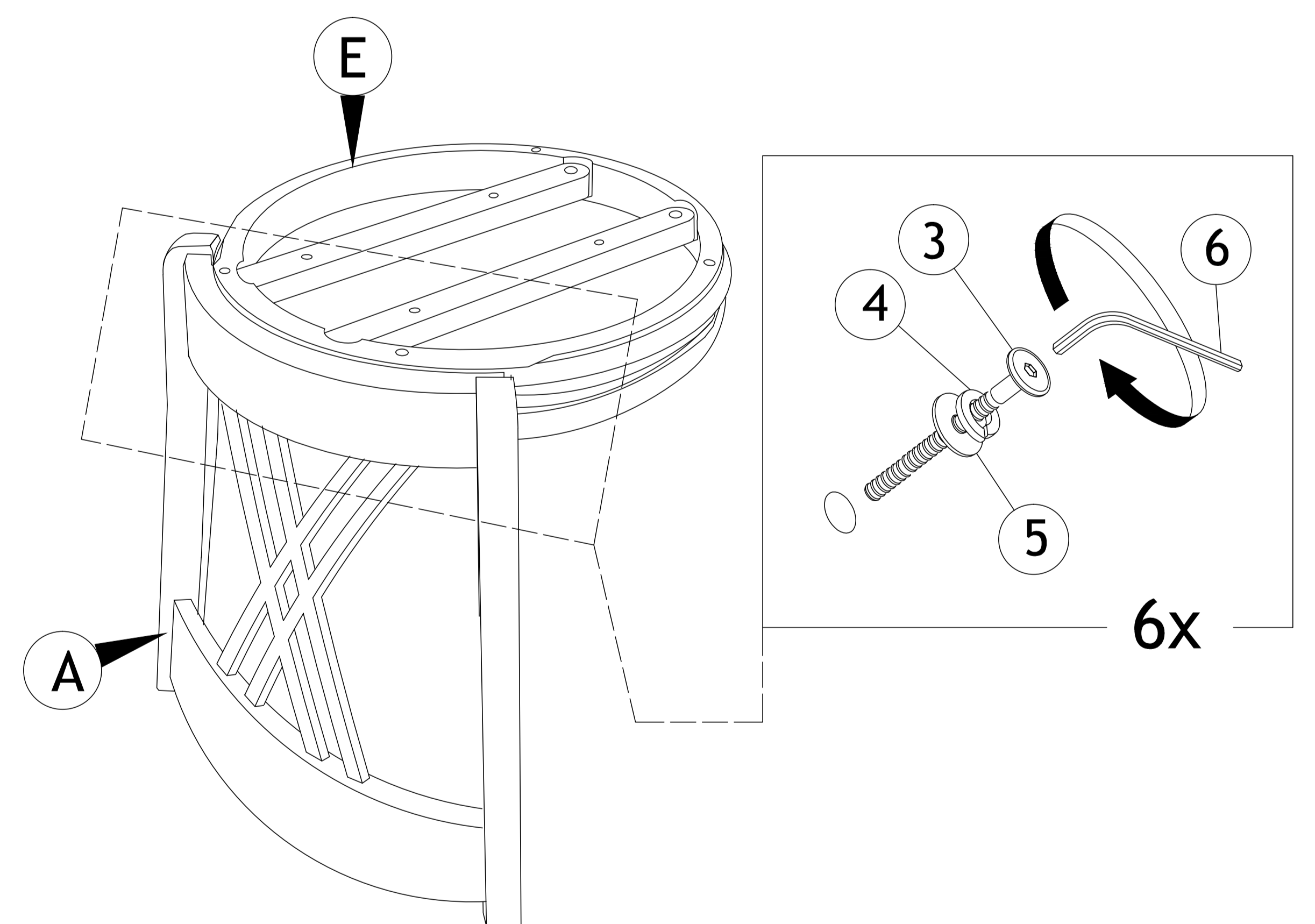


STEP 2



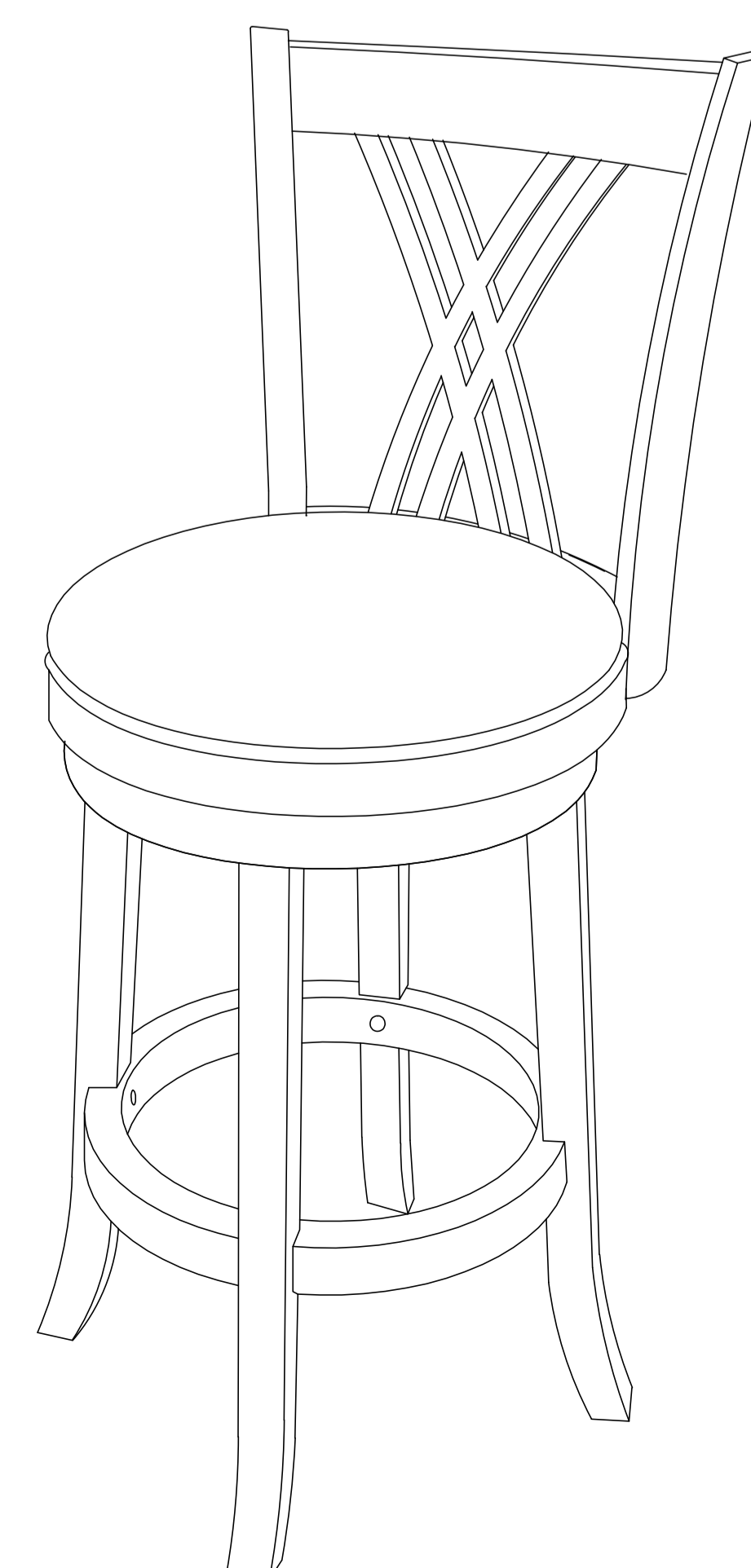
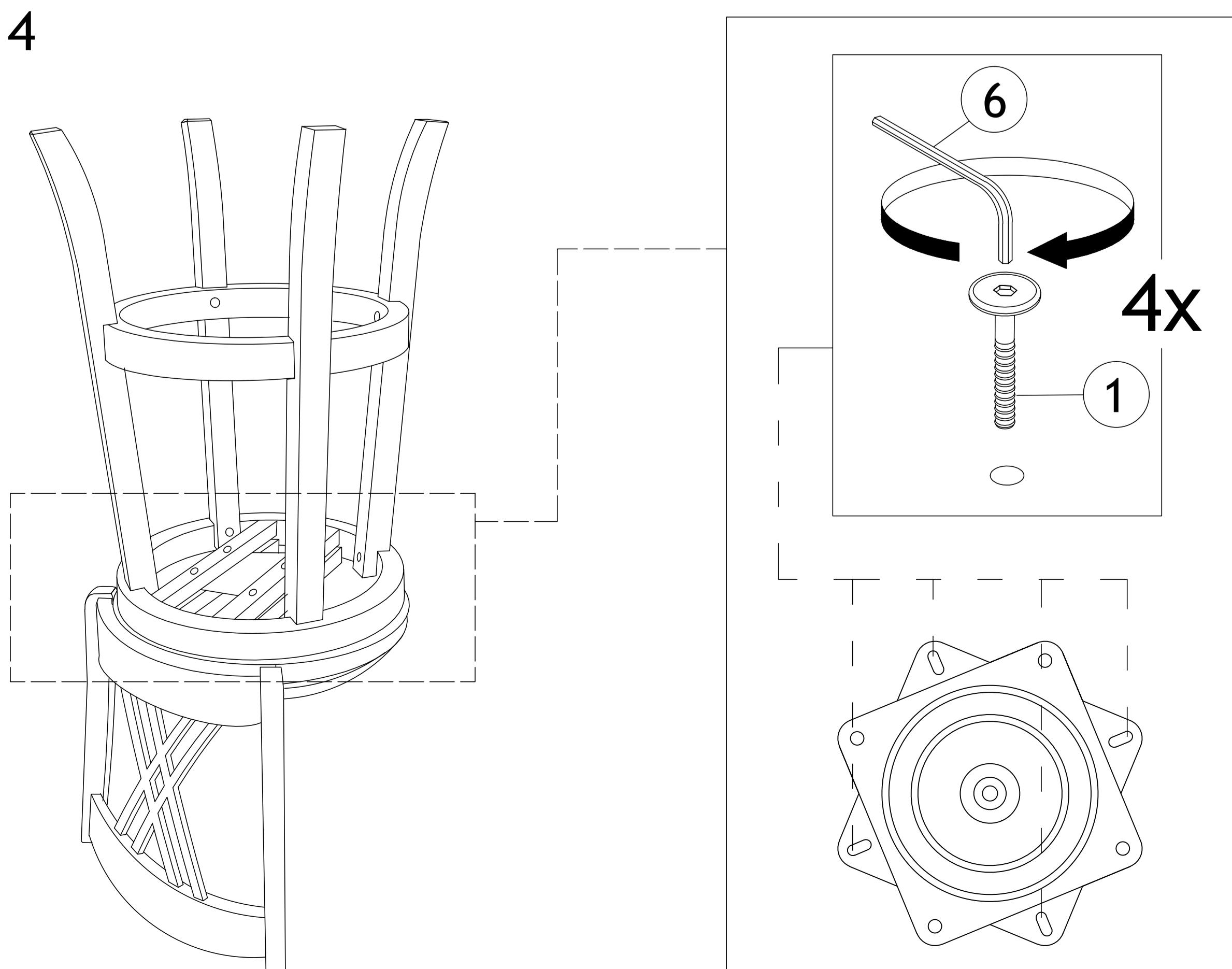
Attach part(B) with part(D). Tighten part(B) with part(D) first, then tighten part(B) with part(C) completely.

STEP 3



Insert 6 sets hardware first, then tighten part(A) with part(E) completely after alignment is done.

STEP 4



COMPLETED ASSEMBLY