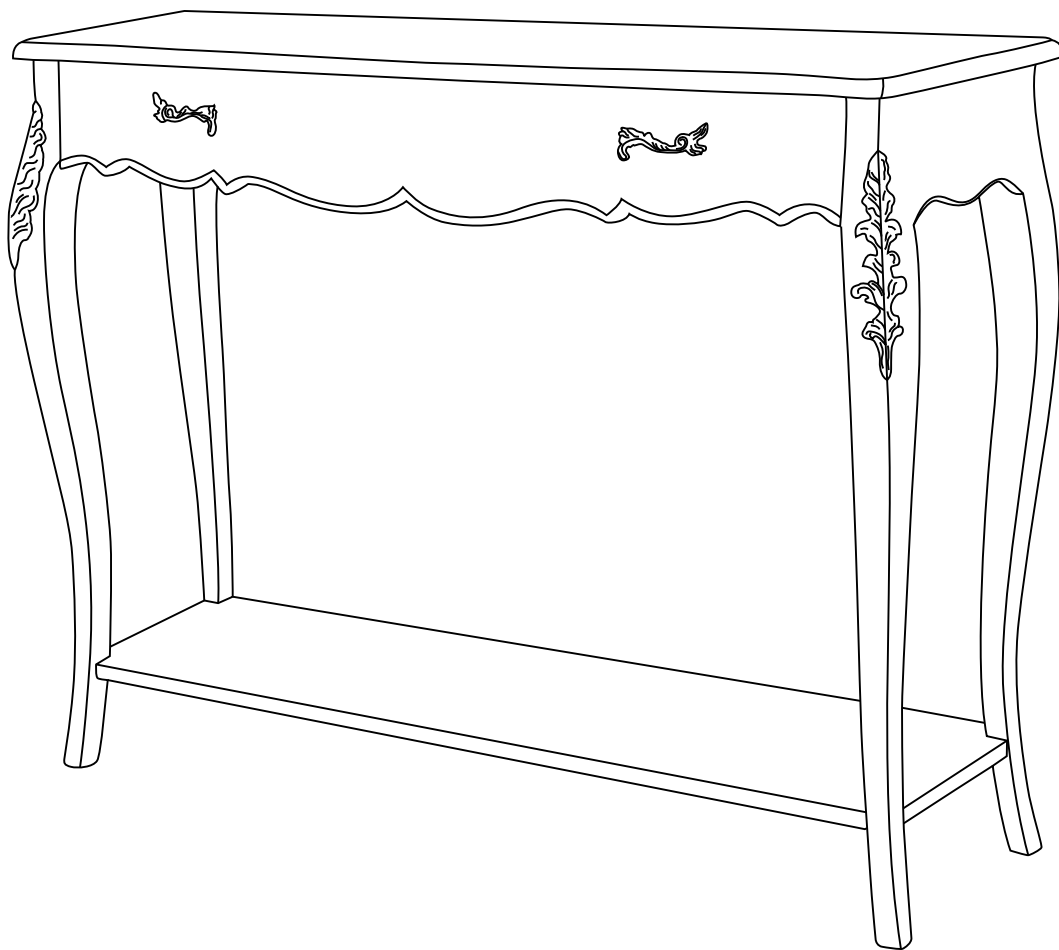


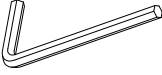
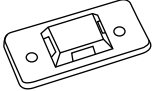





Console 1Dr/1Shelve KD Acanthes

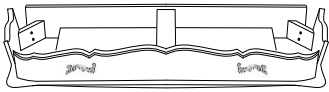


ASSEMBLY INSTRUCTION

HARDWARE LIST

<p>A</p> <p>8 pcs</p>	 M8x50mm	<p>B</p> <p>8 pcs</p>		<p>C</p> <p>1 pc</p>	 65mm	<p>D</p> <p>2 pcs</p>	 M2x45mm
<p>E</p> <p>2 pcs</p>	 M8x300mm	<p>F</p> <p>4 pcs</p>		<p>G</p> <p>4 pcs</p>	 M2x25mm		

PARTS LIST



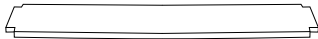
1-1pc



2-2 pcs



3-2 pcs

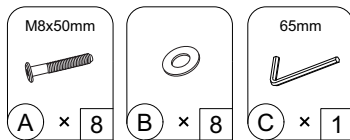
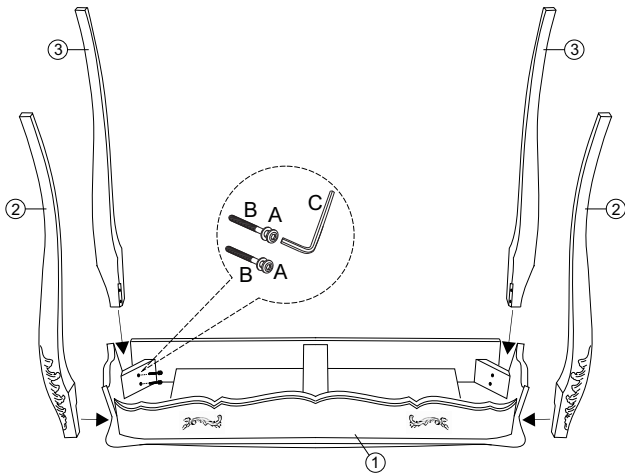


4-1 pc

ASSEMBLY STEPS

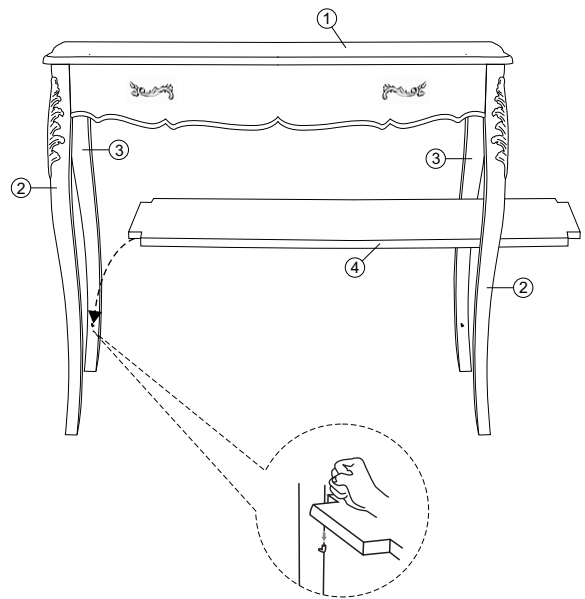
1

Fix part 2 and 3 to part 1 as show and then screw using key L(C) as shewn make sure to fix it strong for extra stability.



2

Insert part the 4 in to part 2 and 3 as shown. Hook it between part 2 and 3.



3

WALL FIXING INSTRUCTION

SECURING YOUR FURNITURE TO THE WALL

Choose and mark location of fixing on the wall, should be approximately 10 mm below the top of furniture surface. Screw the bracket on the wall vertically at located position. The way to screw the bracket insert part (D) to the wall, put part (F) and screw (G) it, lase the nylon strap (E) down through the brackets, slide the thin end of the strap through the receiving end of the nylon strap. Pull the nylon strap tight to secure the piece of furniture. Seek professional advice if unsure of wall construction.

