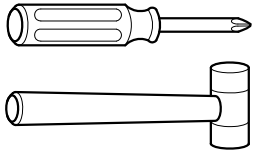
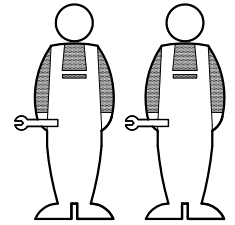
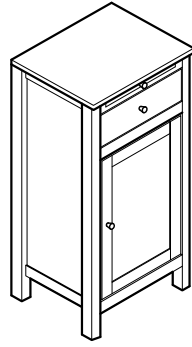


ASSEMBLY INSTRUCTIONS

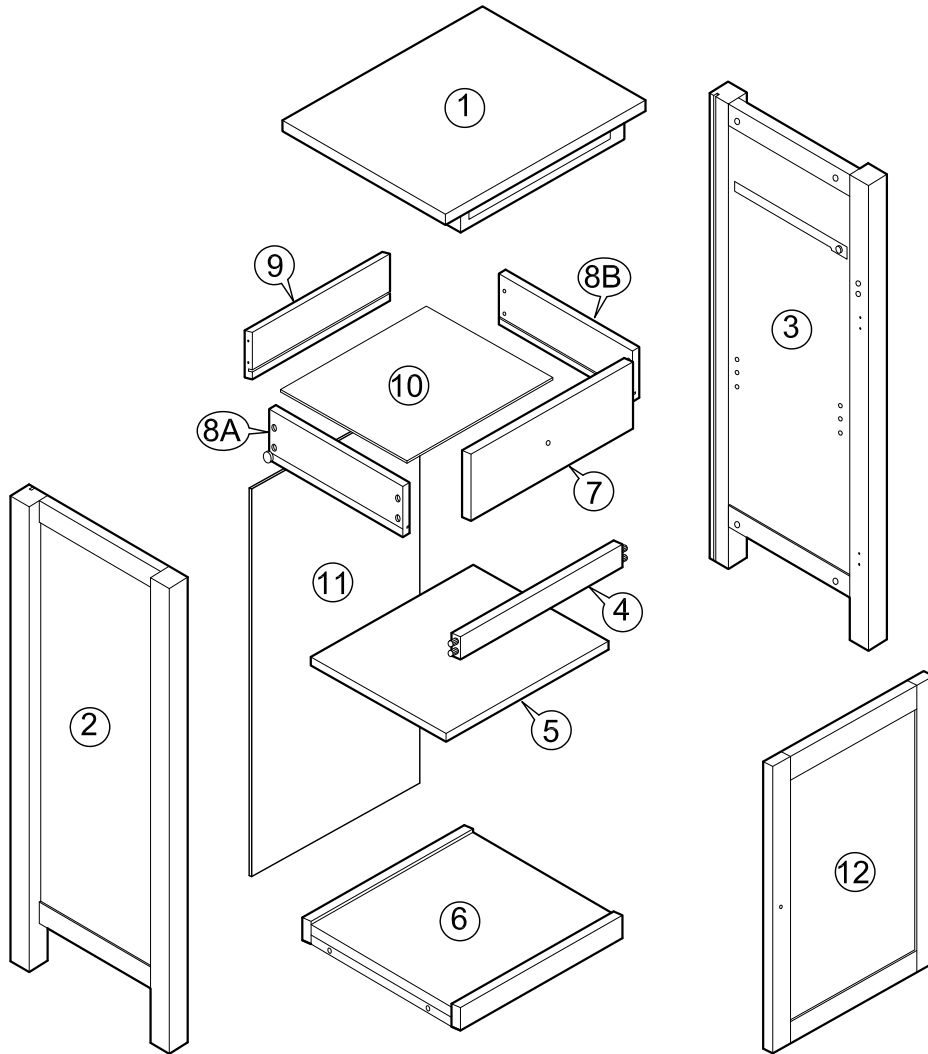
Item : Kentucky Cabinet Base





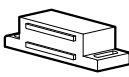

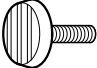
Not Provided

2 Persons

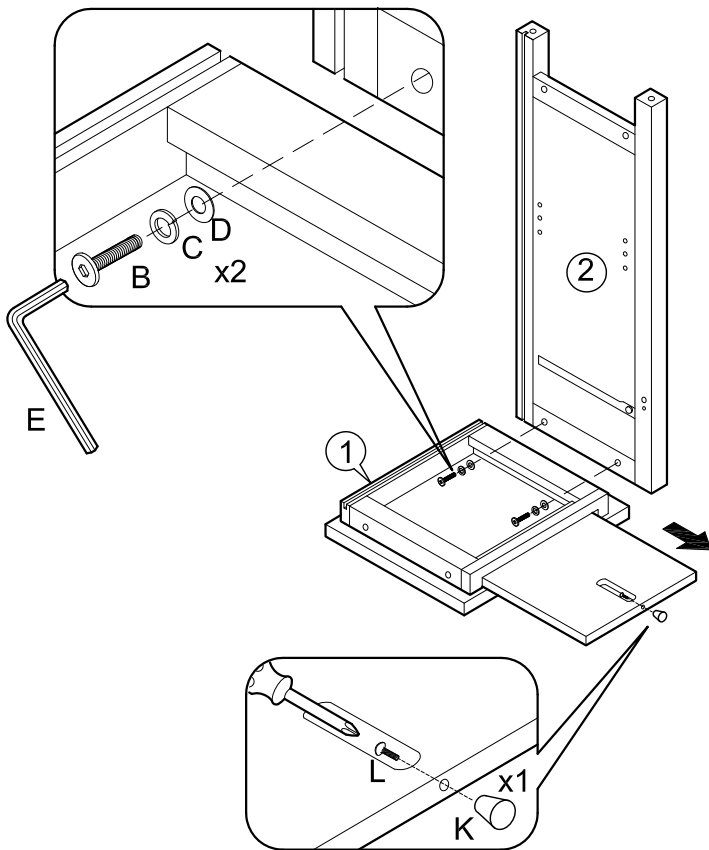
Part List



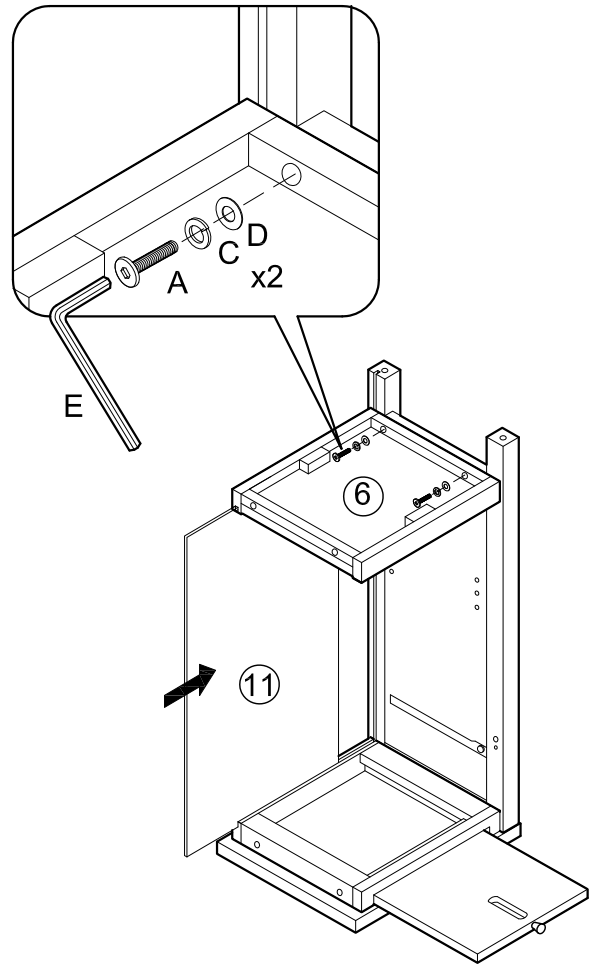
Hardware List

| | | | | | | | |
|---|-----------------------|---|---|---|---|---|---|
| A | M6 x 30mm (Black) = 4 | E |  = 1 | I | M3 x16mm (Black) = 4 | M | #8 x 1 1/4" = 8 |
| B | M6 x 45mm (Black) = 4 | F |  = 4 | J | M3 x12mm = 6 | N | 12 x 45mm = 1 |
| C | 1/4" (Black) = 8 | G |  = 1 | K |  = 3 | O |  = 4 |
| D | M6 x13mm (Black) = 8 | H | 18 x 40mm = 1 | L | 20mm = 3 | | |

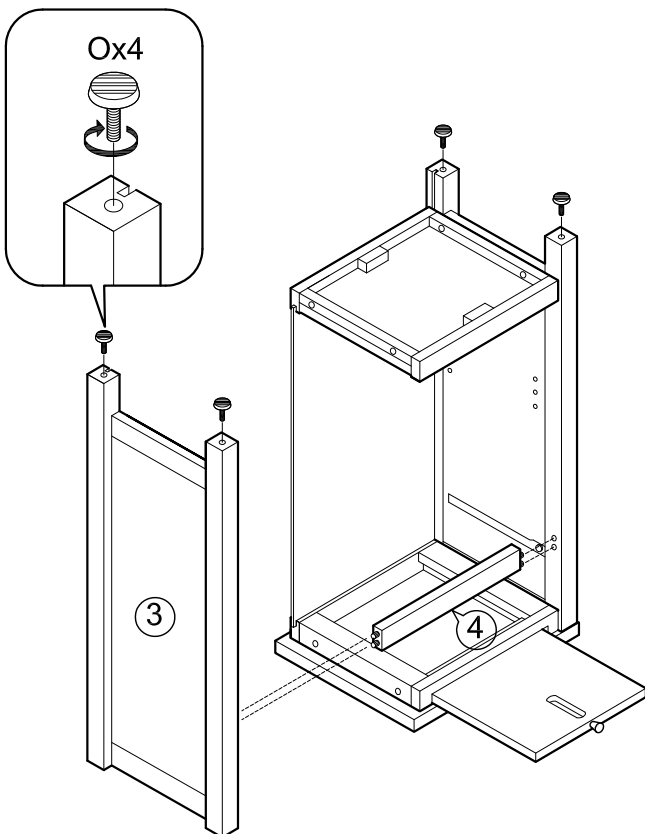
1



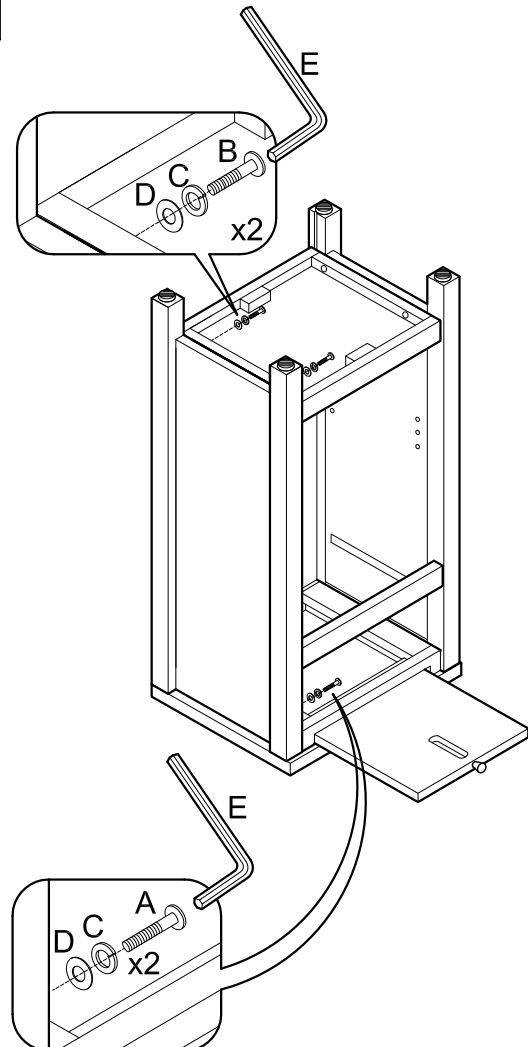
2



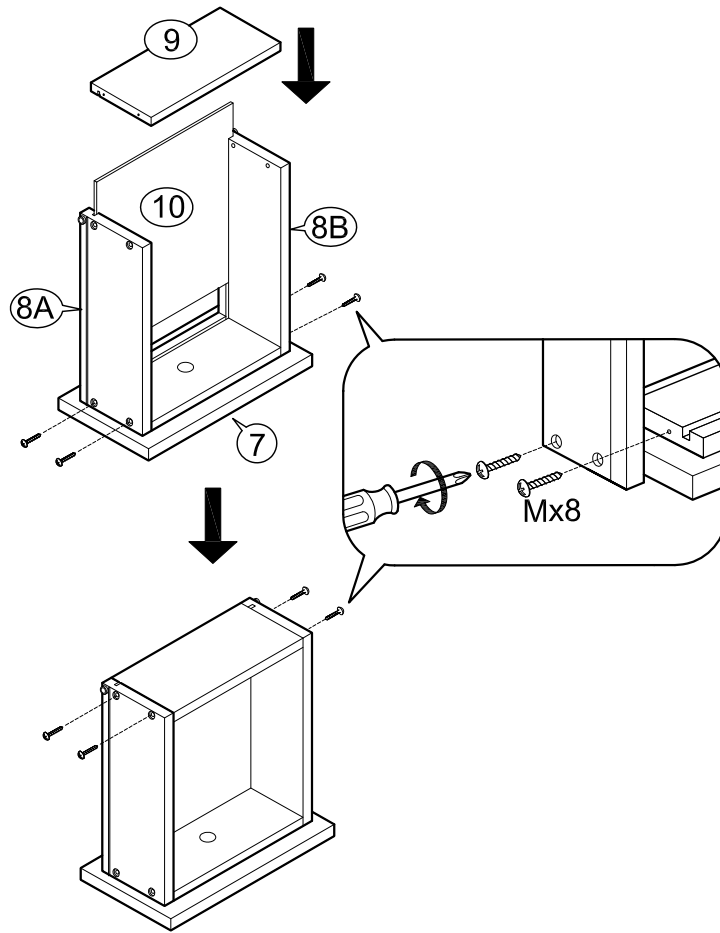
3



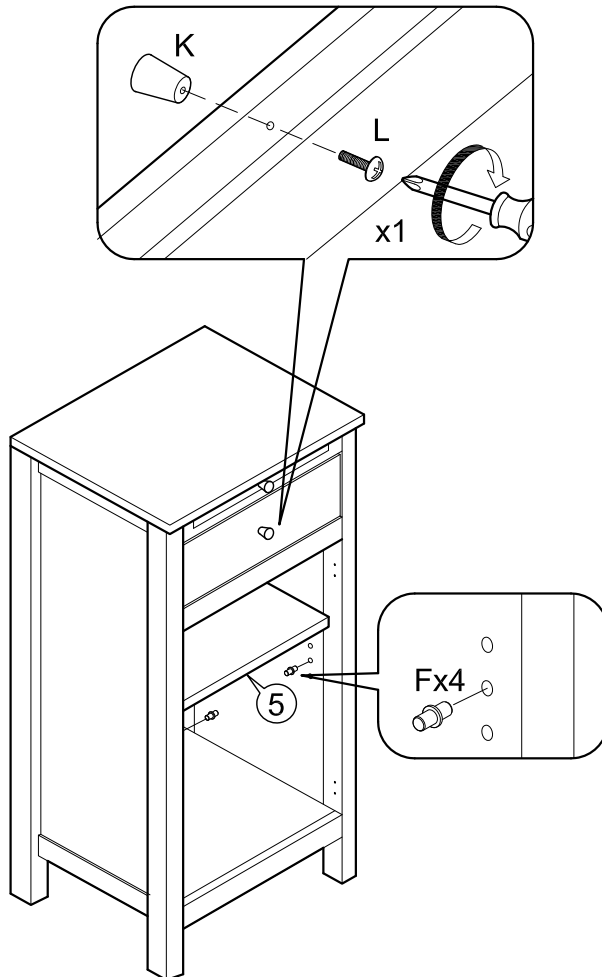
4

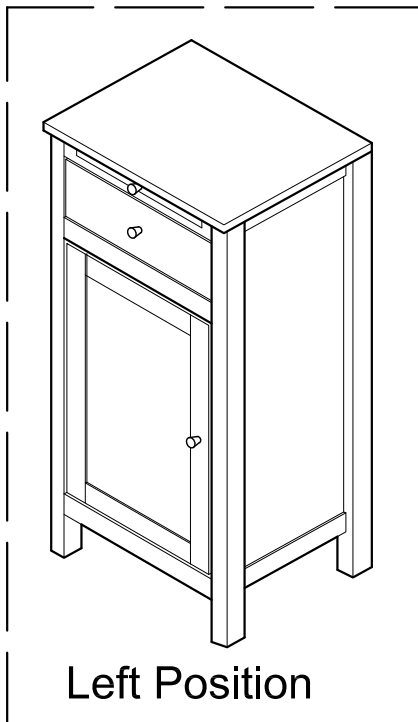
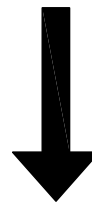
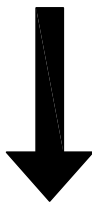
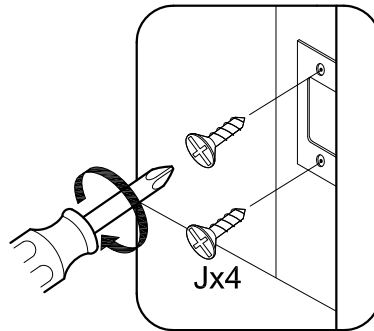
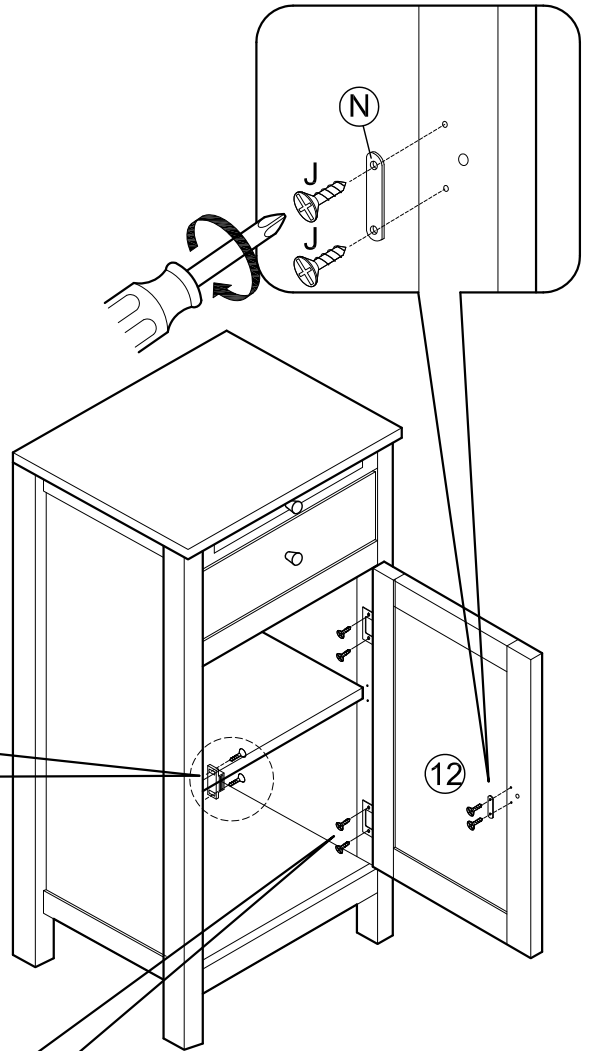
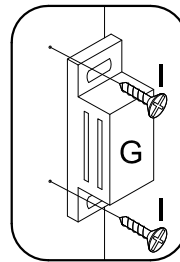
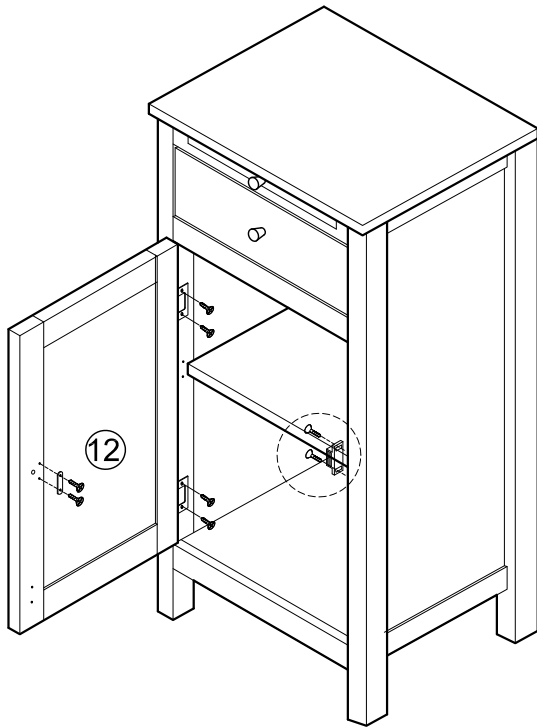


6

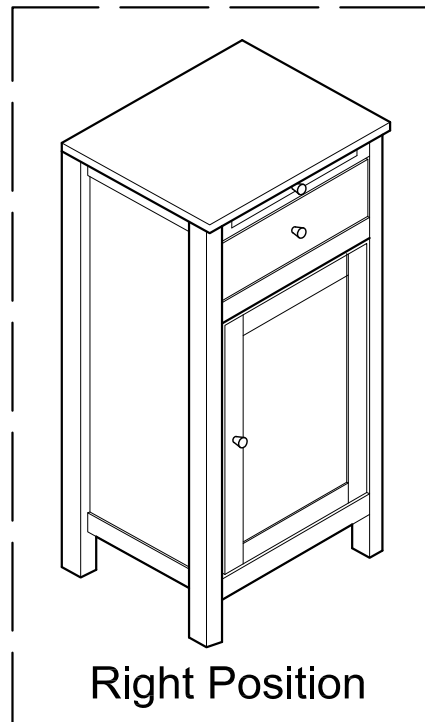


7



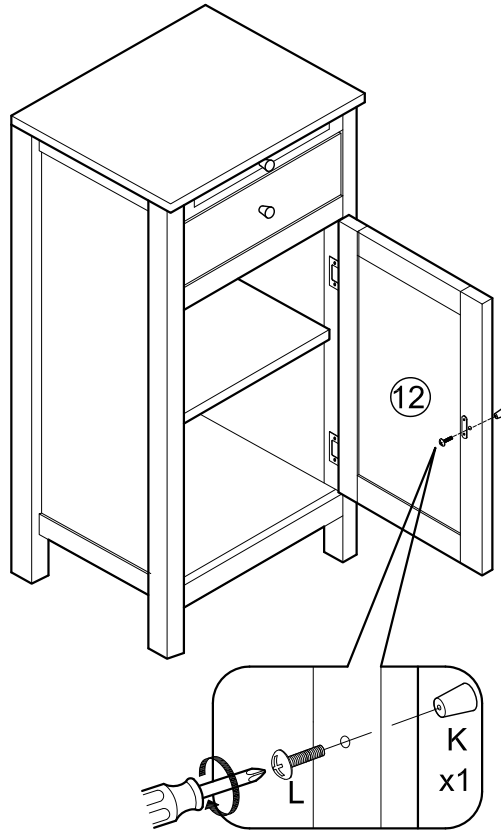


Left Position



Right Position

9



10

