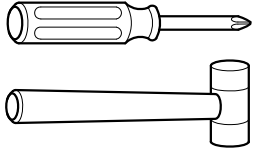
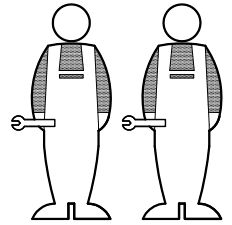
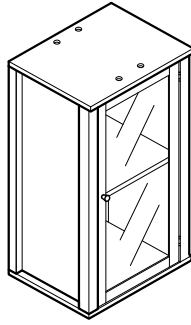


ASSEMBLY INSTRUCTIONS

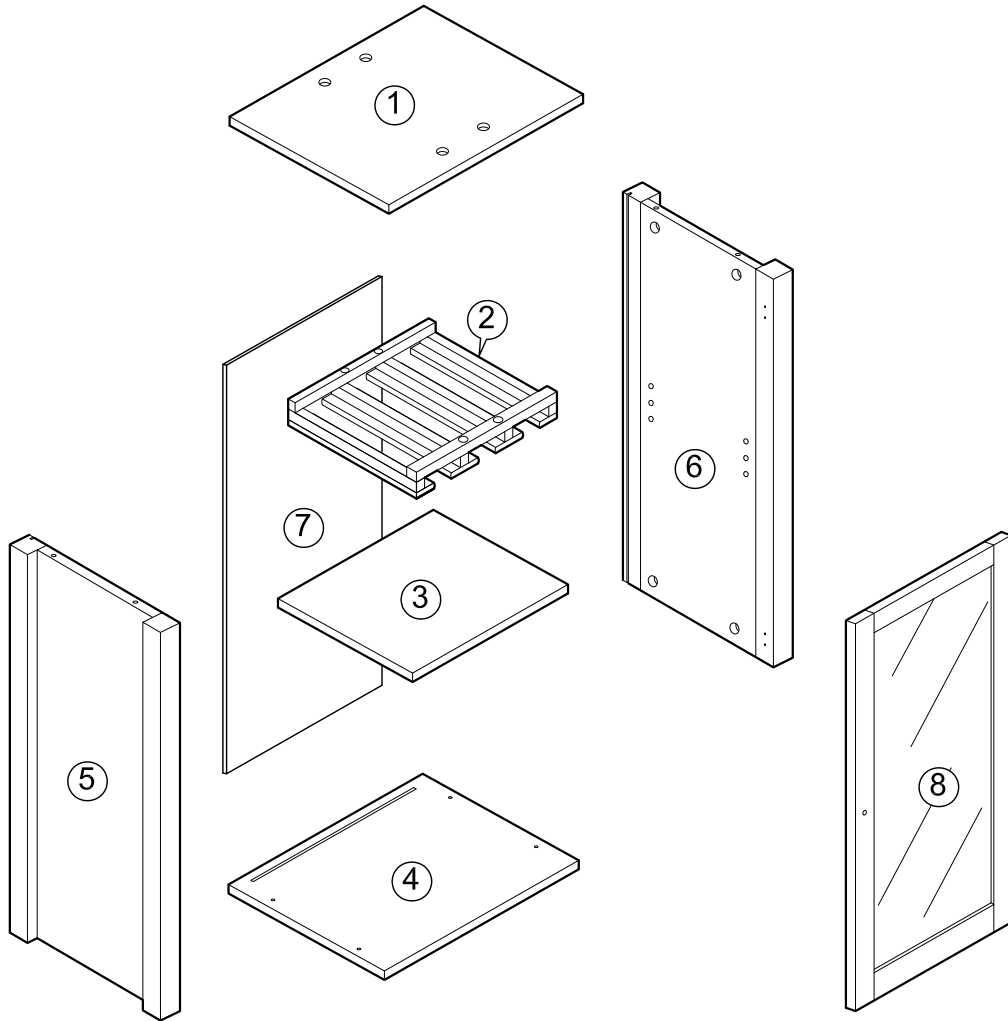
Item : Kentucky Glass Door Hutch



Not Provided

2 Persons

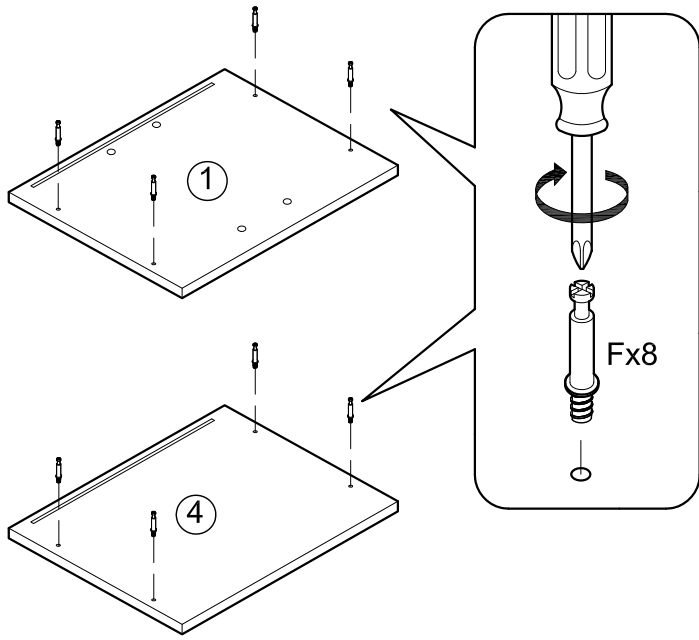
Part List



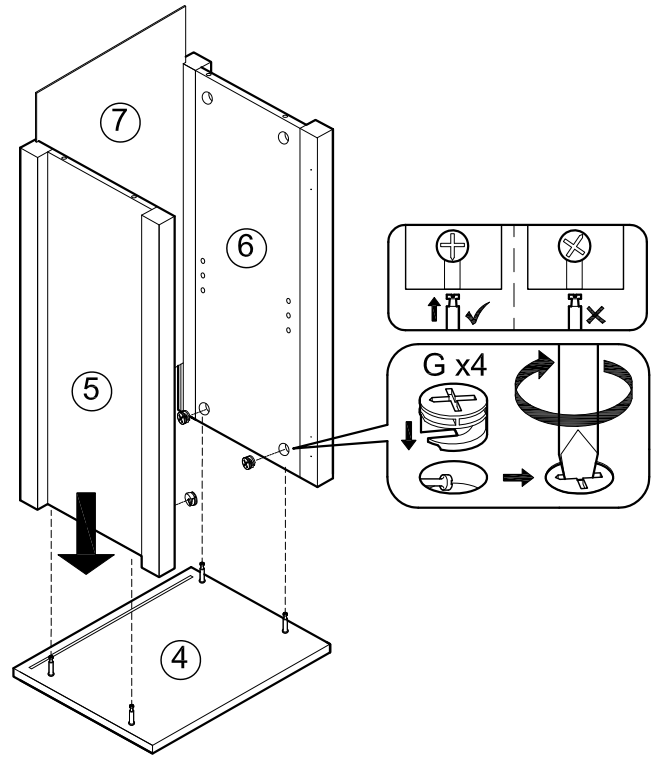
Hardware List

A	M6 x 25mm (Black) = 4	F	34mm = 8	K	= 1	P	= 1
B	= 1	G	12mm = 8	L	= 2	Q	12 x 45mm = 1
C	= 4	H	18 x 40mm = 1	M	= 1		
D	M3 x 20mm = 4	I	M3 x 16mm (Black) = 10	N	20mm = 1		
E	= 4	J	15 x 80mm = 2	O	M3 x 12mm = 6		

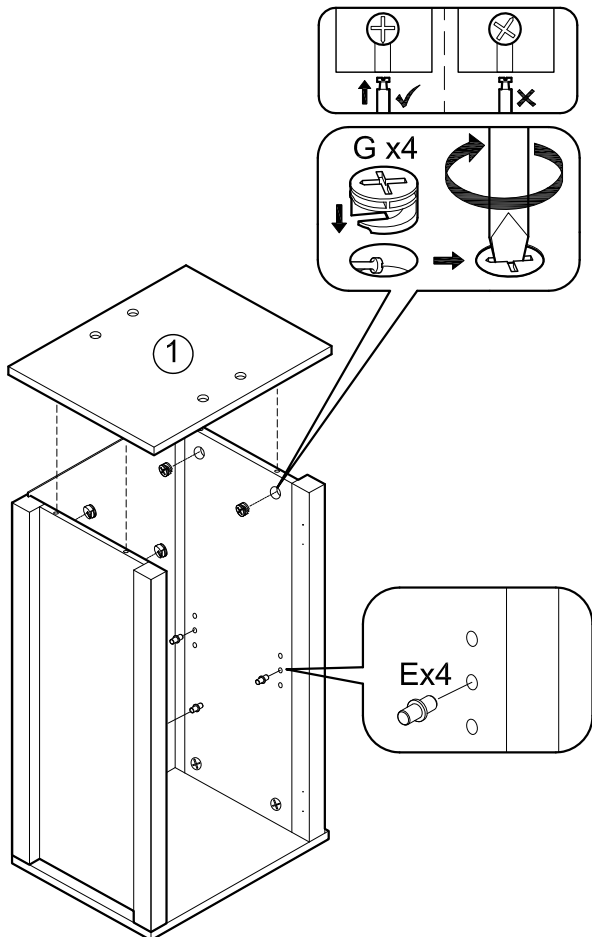
1



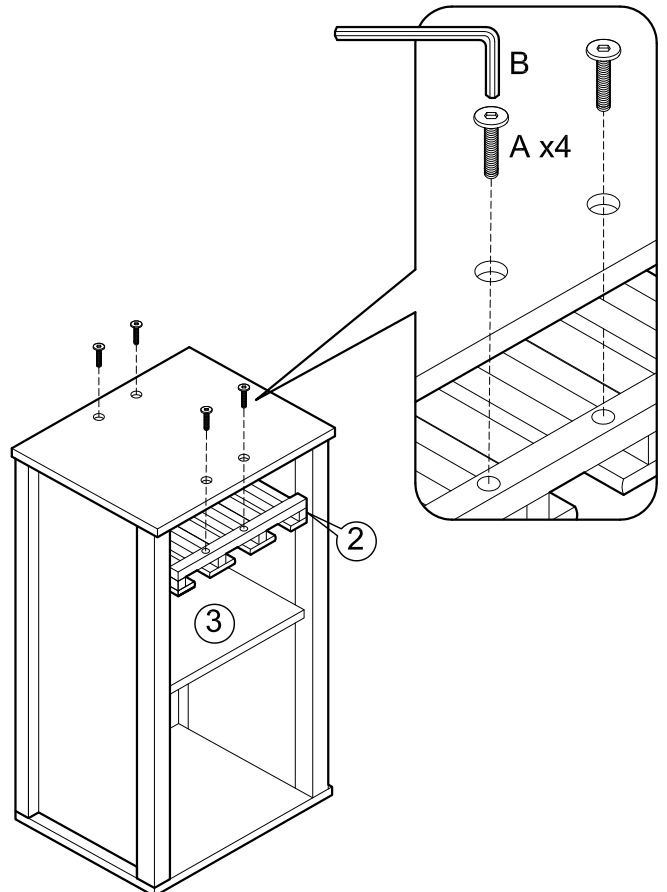
2

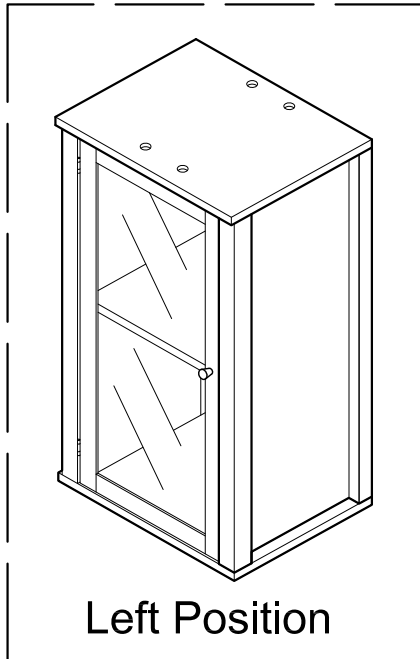
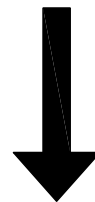
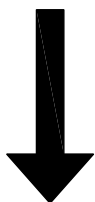
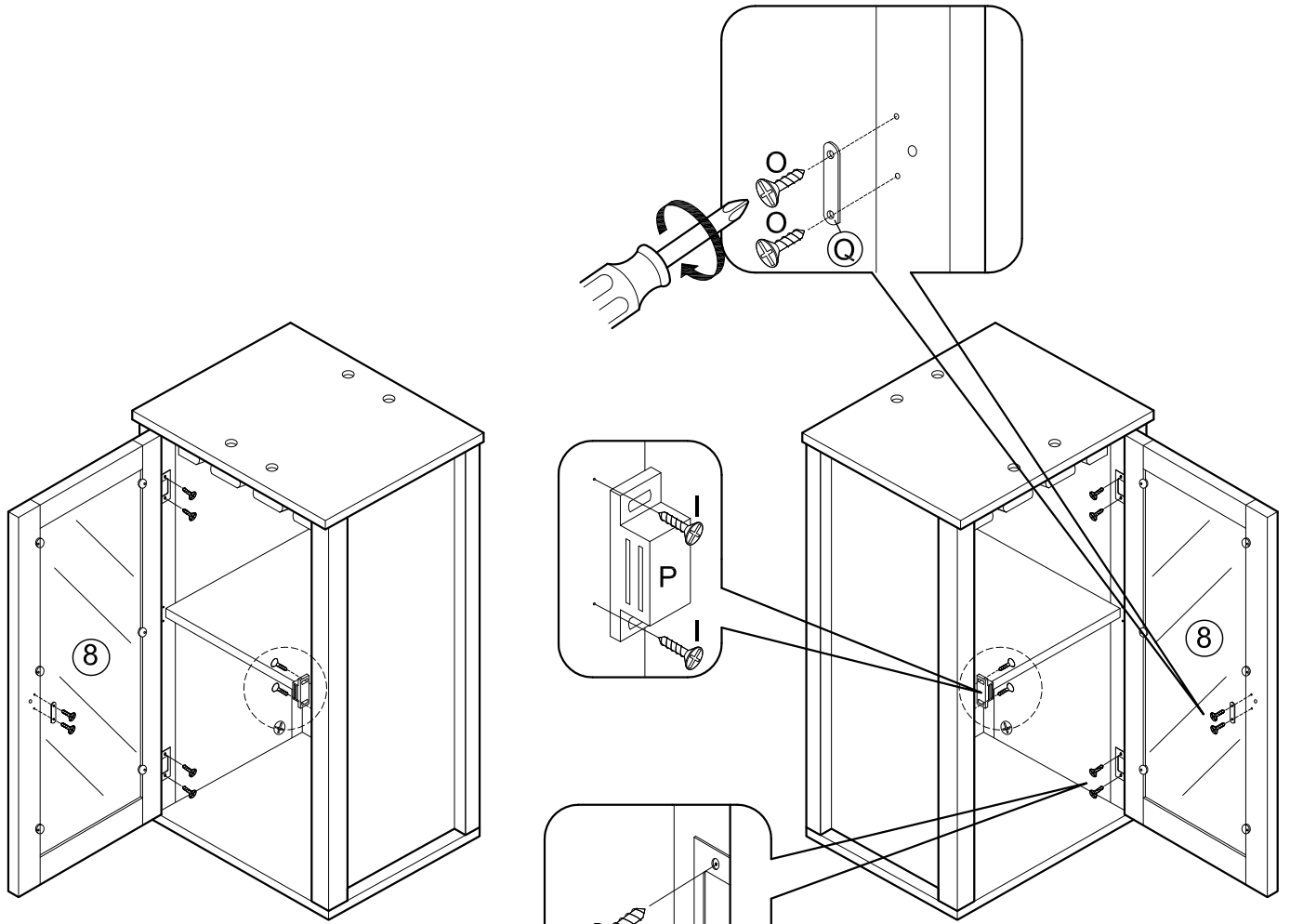


3

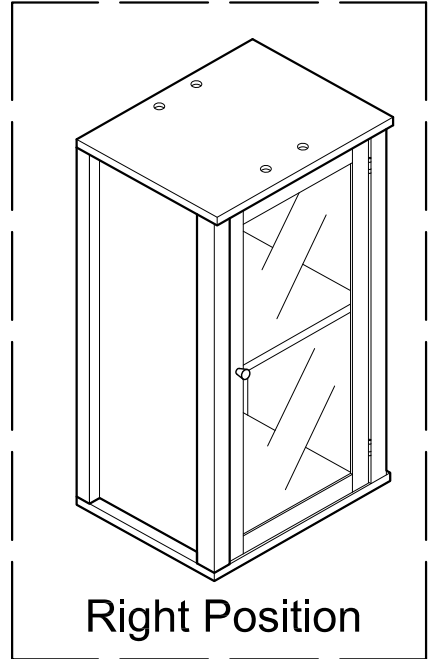


4



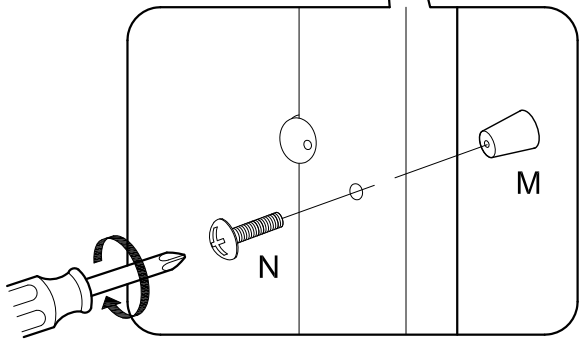
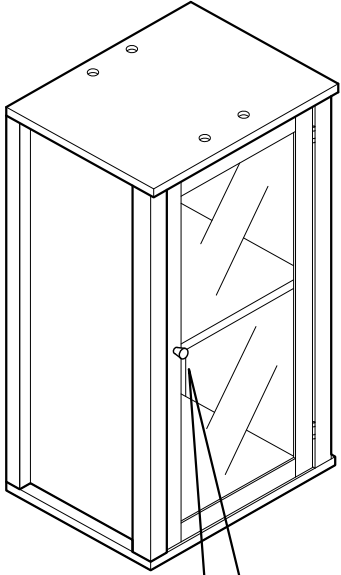


Left Position

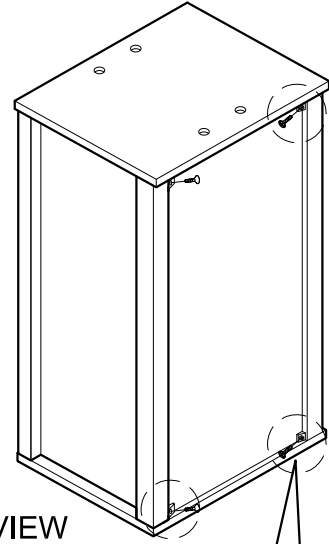


Right Position

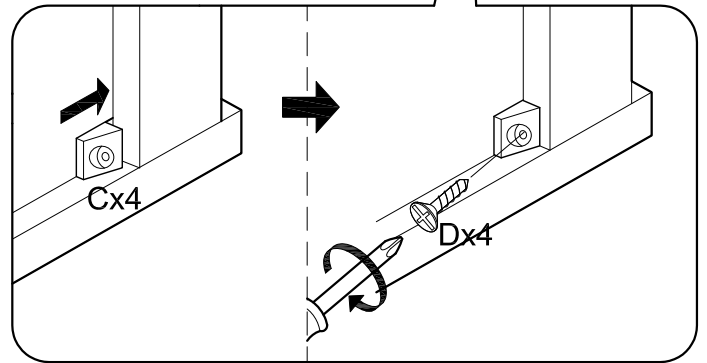
6



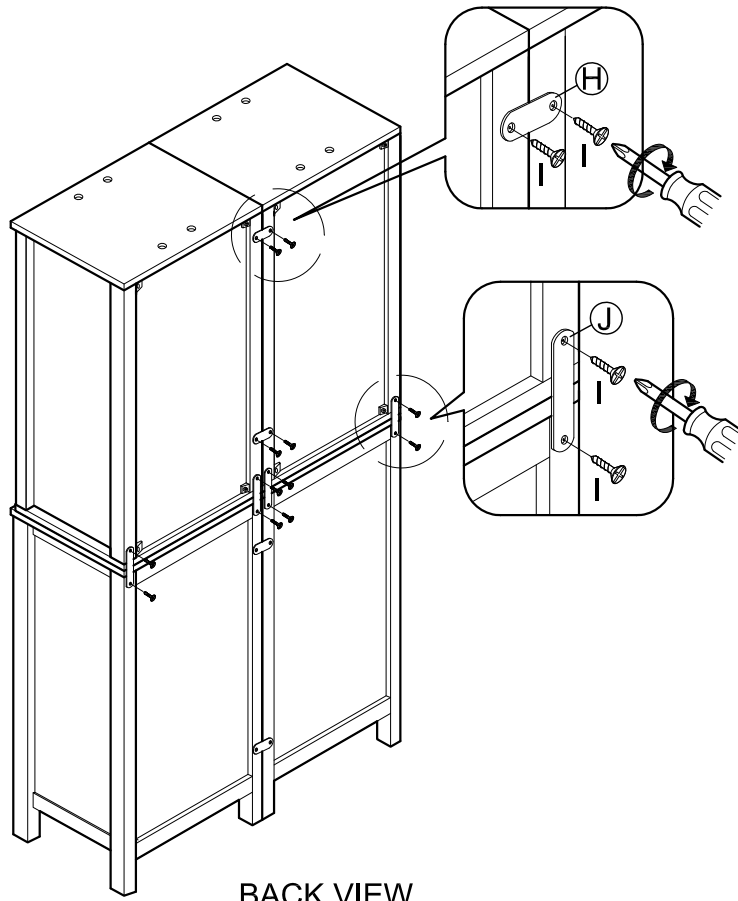
7



BACK VIEW



8



BACK VIEW

HOW TO FIT SAFETY STRAP

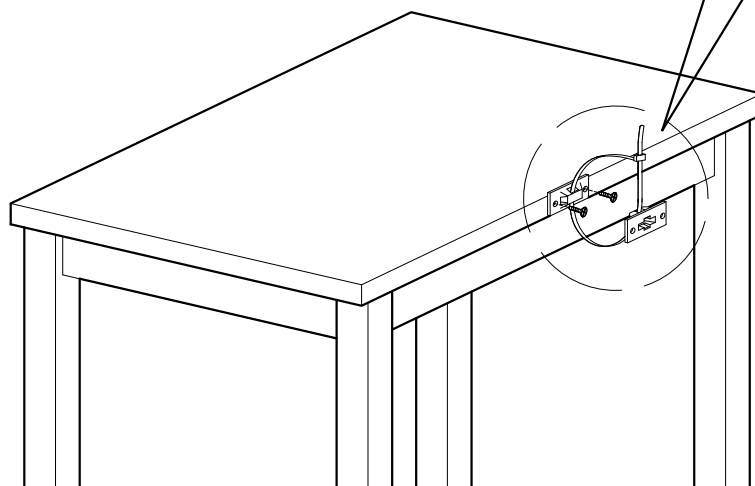
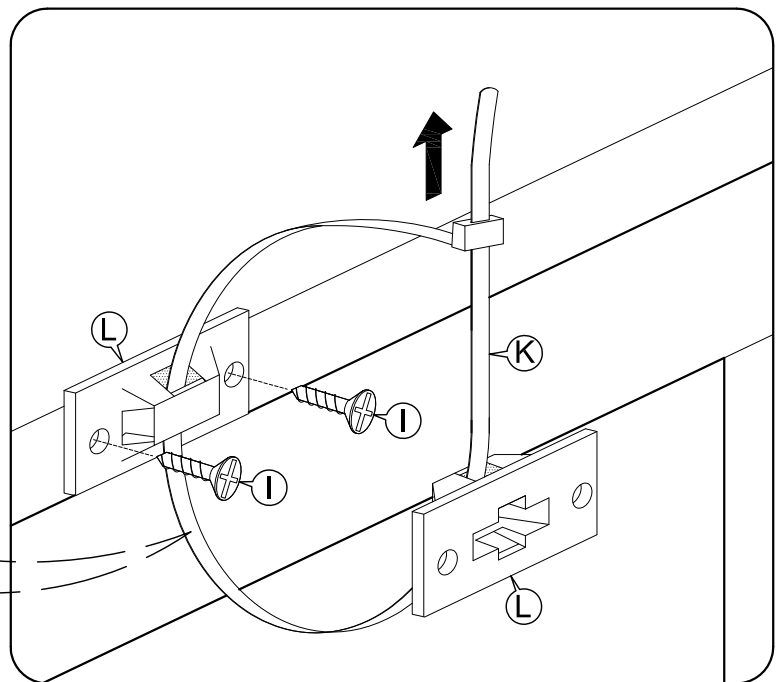
ADD SAFETY STRAP (L) TO BACK OF WINE RACK USING SCREW (I) (PROVIDED) AS SHOWN.

SECURE OPPOSITE END OF SAFETY STRAP TO WALL USING APPROPRIATE SCREW/PLUG FOR TYPE OF WALL (NOT PROVIDED).

PHILIPS HEAD SCREWDRIVER TOOL REQUIRED

Lace one end of the wall strap (K) through both brackets, and into the other end of the strap.

Pull the strap tightly until secure.



BACK VIEW