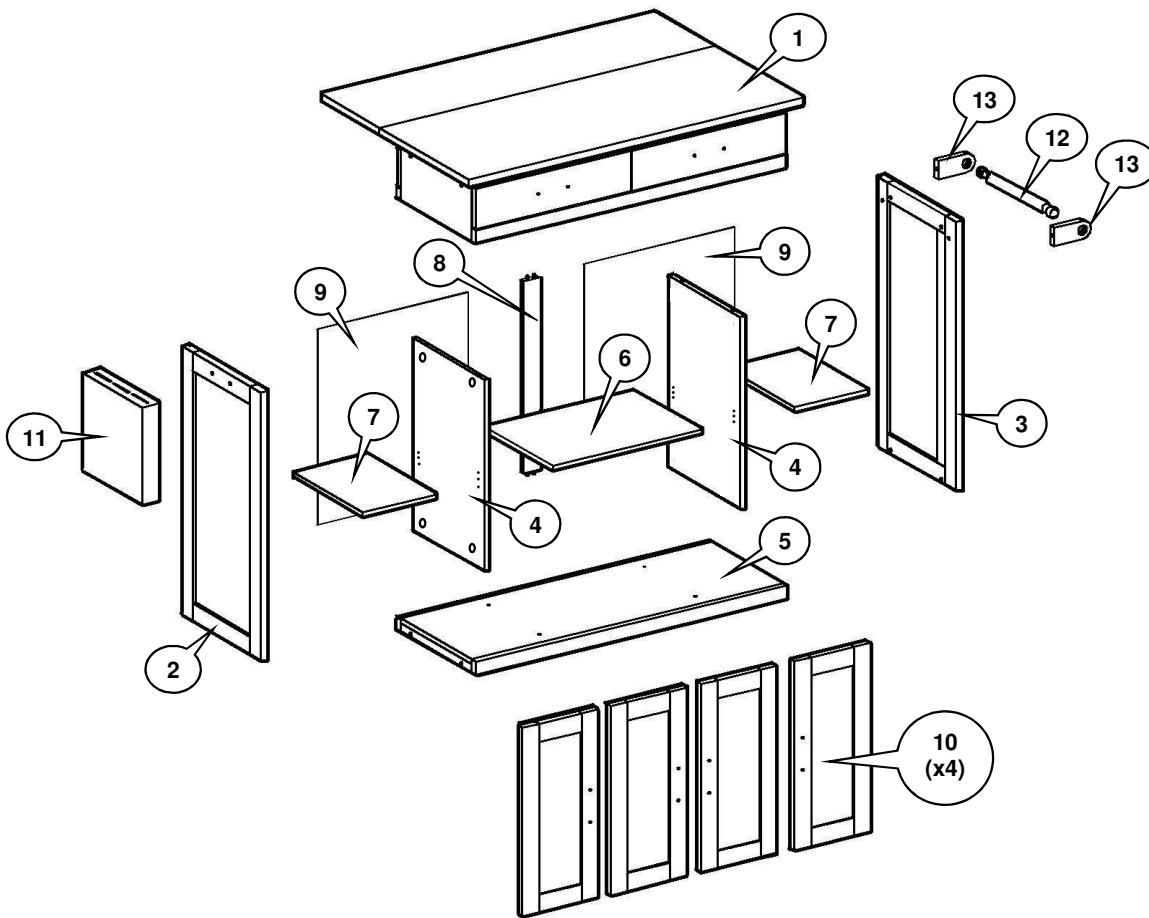


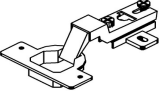



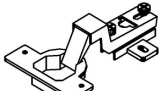


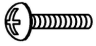

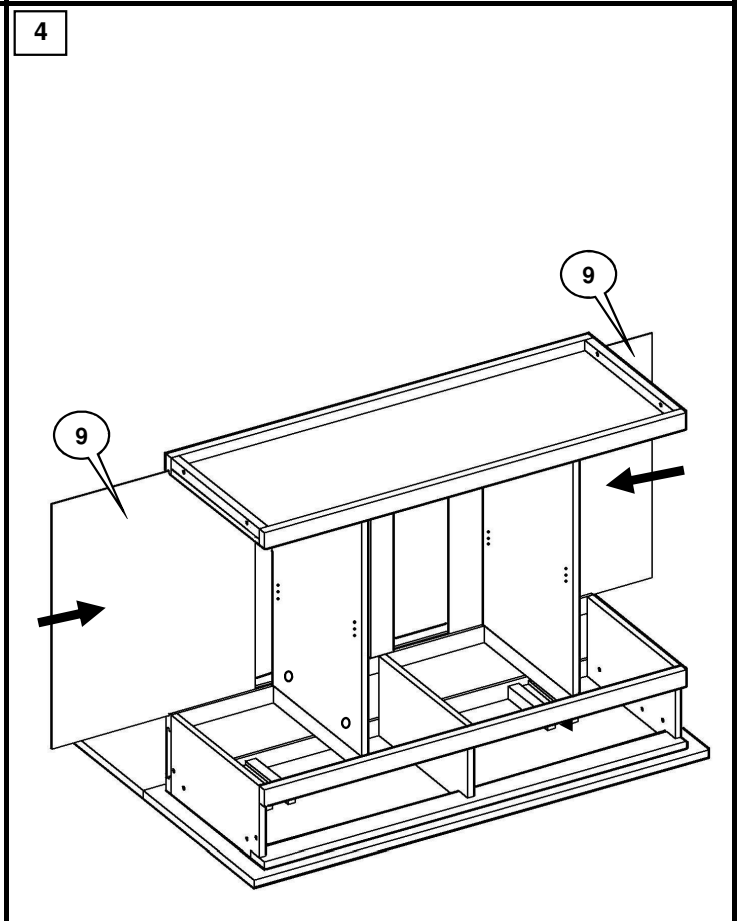
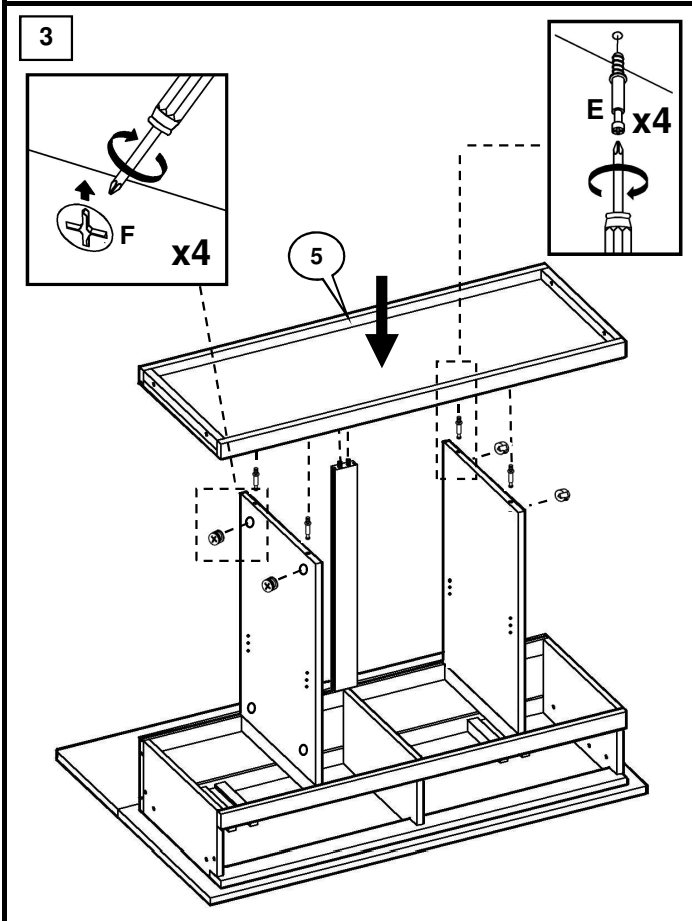
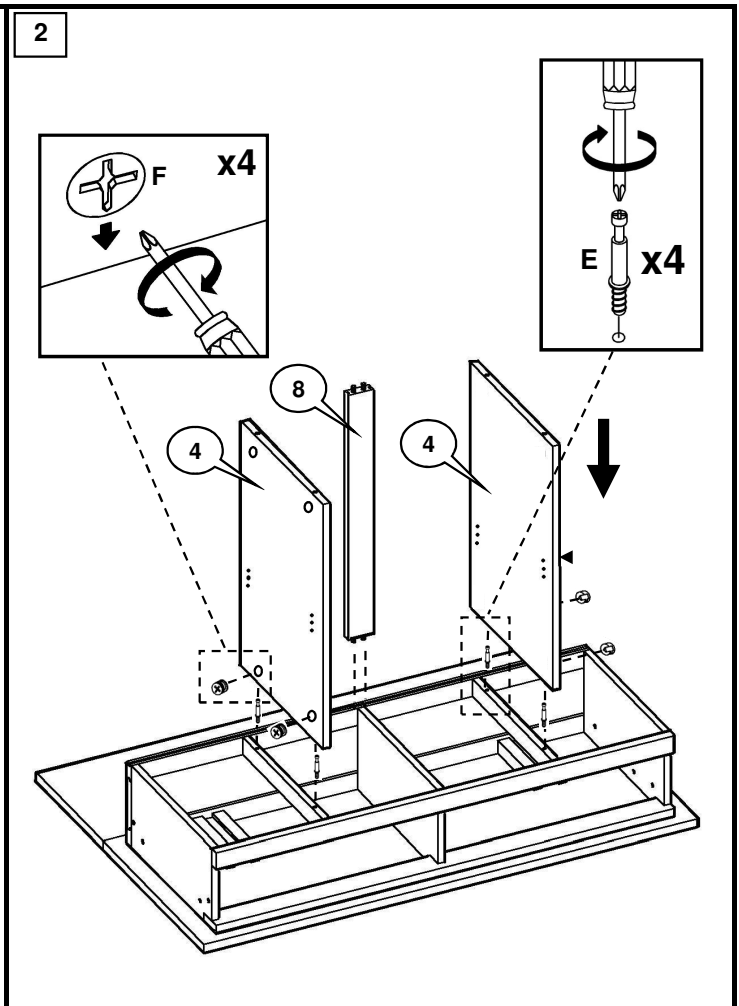
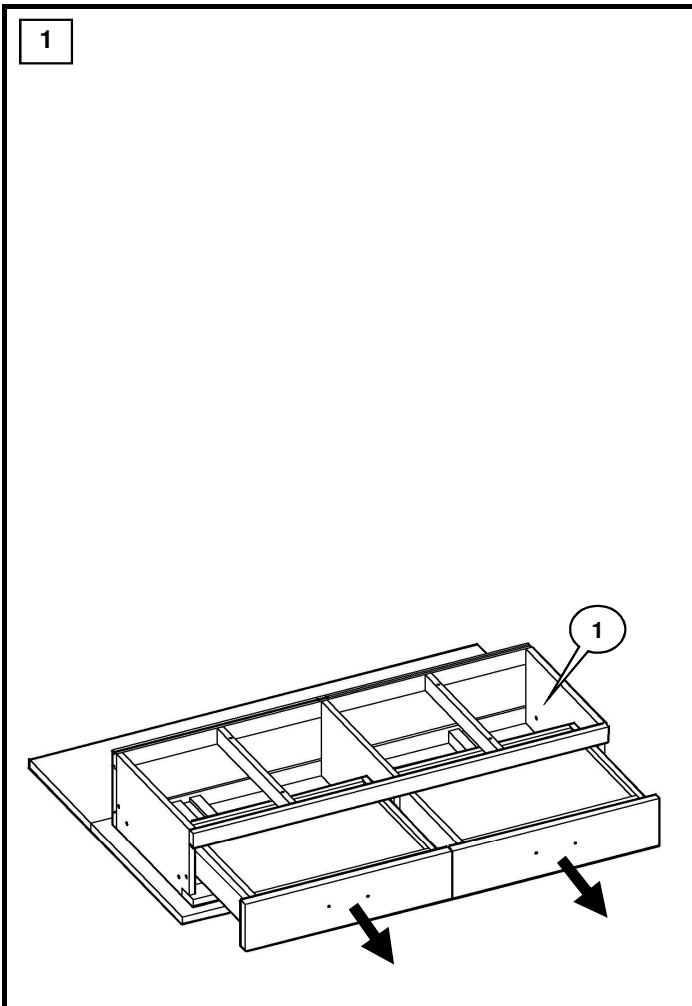


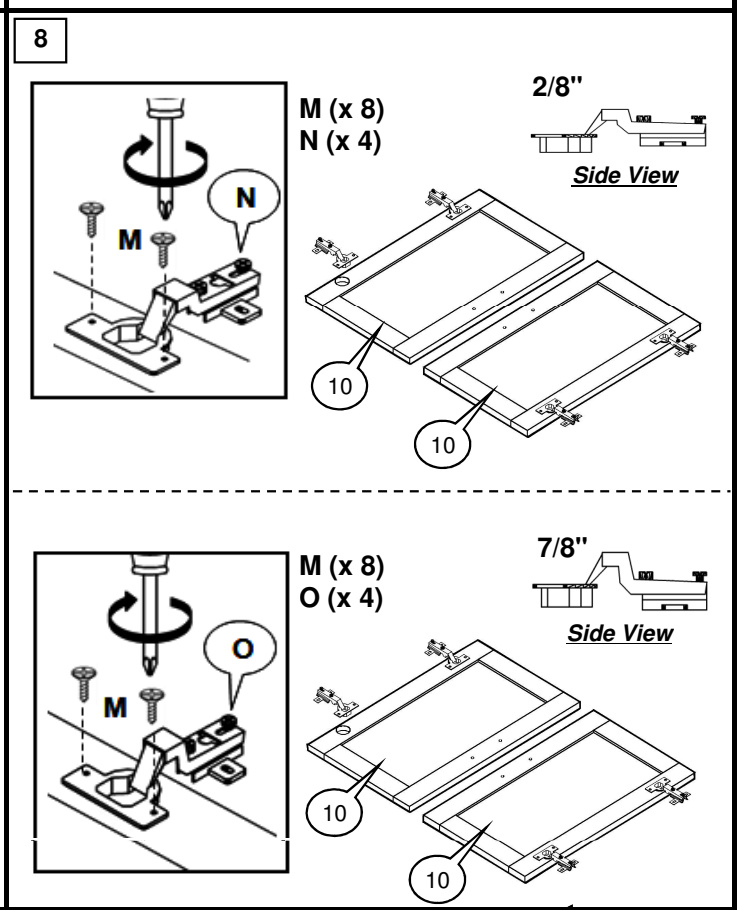
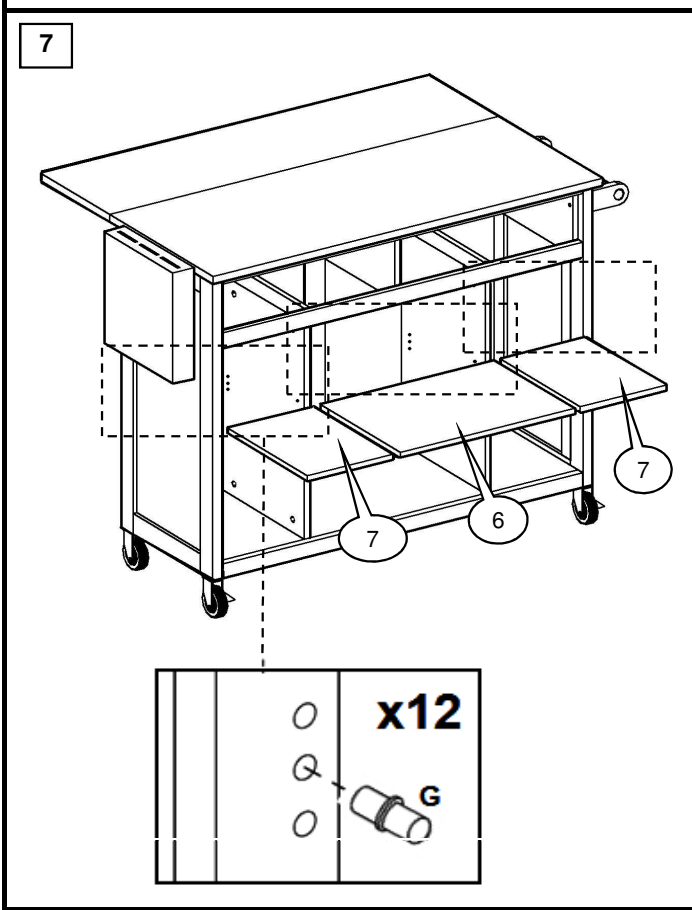
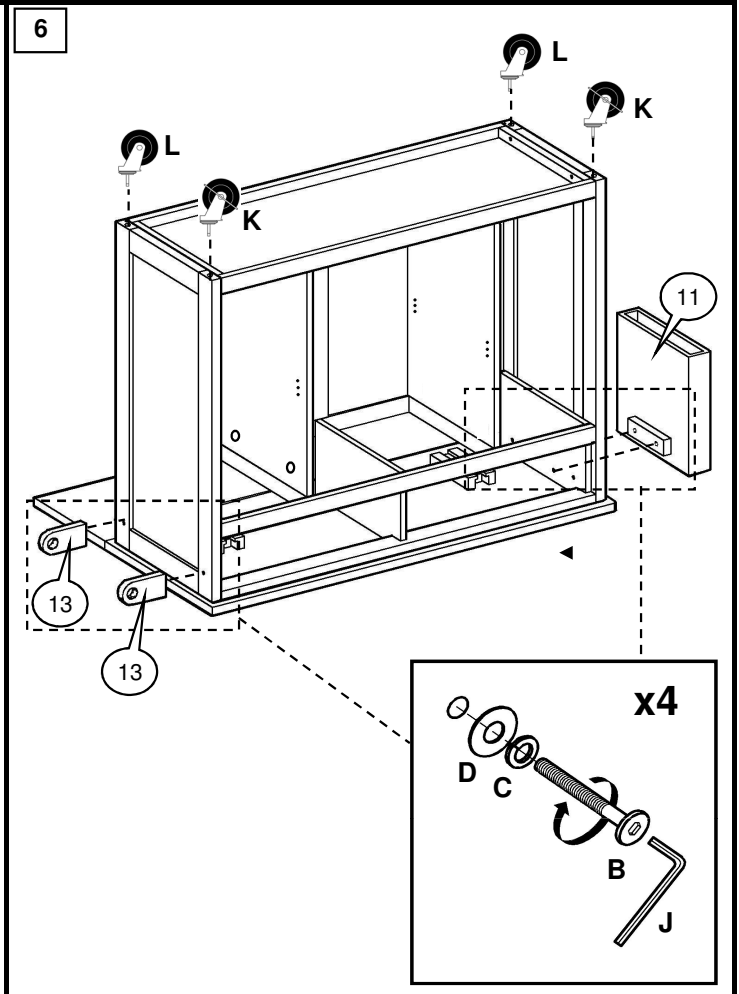
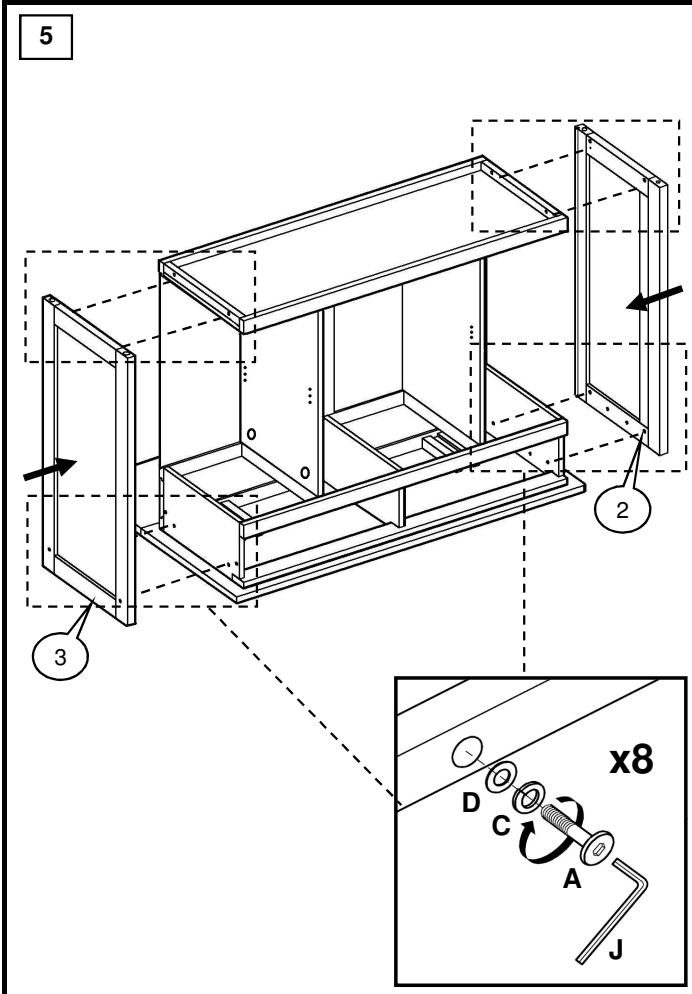
ASSEMBLY INSTRUCTIONS

Bristol Kitchen Island

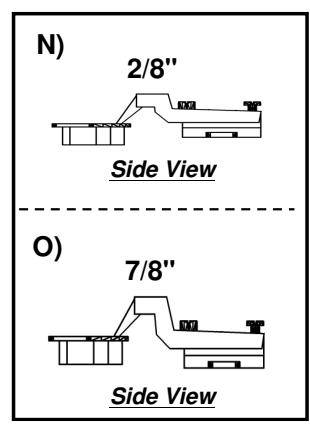
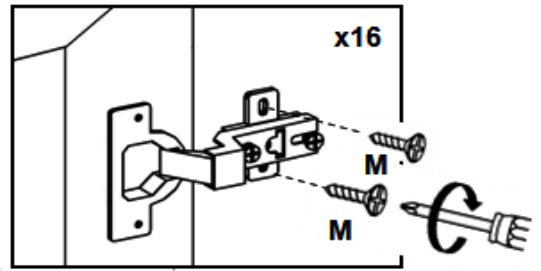
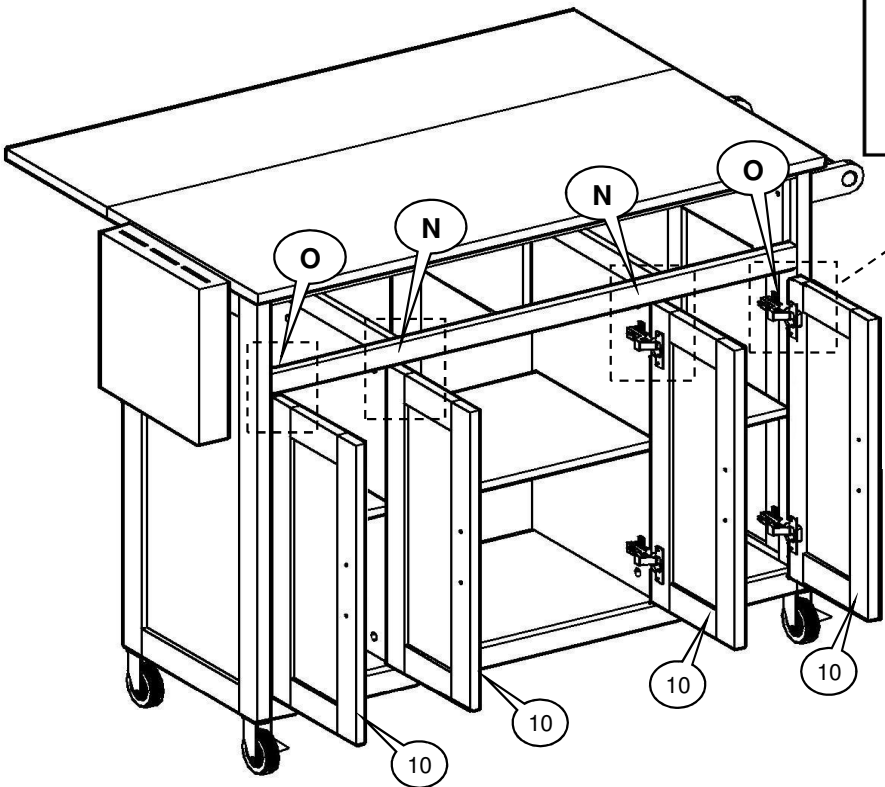


A	M6 x 30mm x 8	F	 x 8	K	 x 2	N	  2/8" x 4
B	M6 x 40mm x 4	G	 x 12	L	 x 2	O	  7/8" x 4
C	1/4" x 12	H	 x 6	M	M3.5 x 16mm x 32		
D	M6 x 13mm x 12	I	 22mm x 12				
E	x 8	J	 x 1				

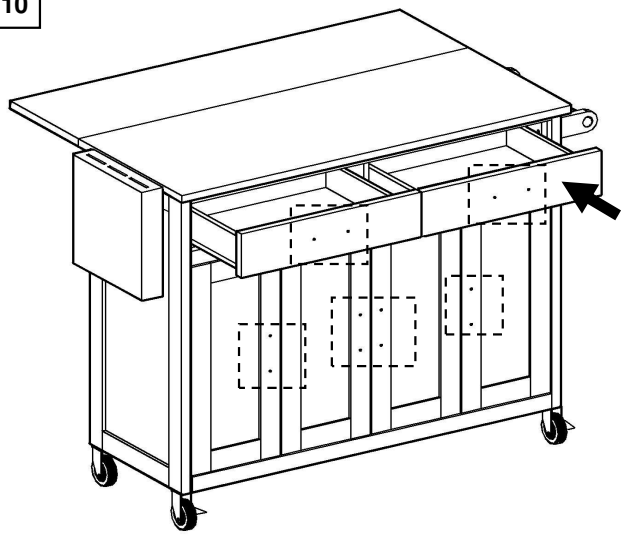




9



10



11

