

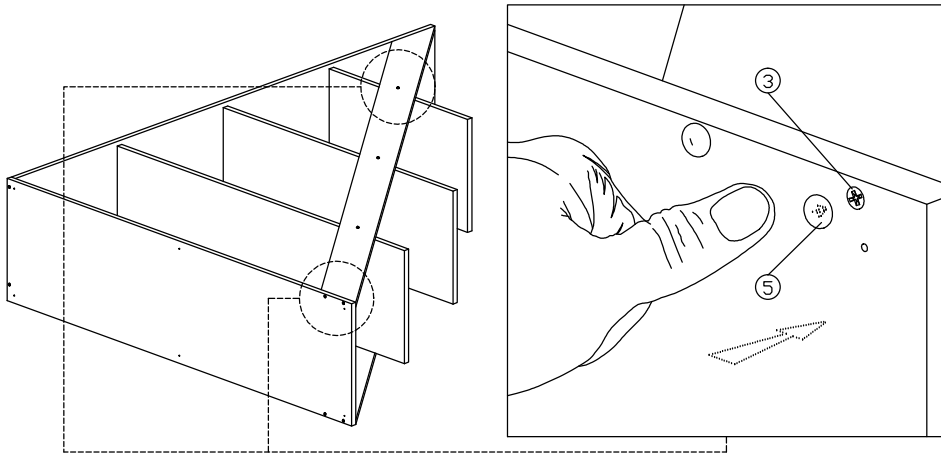
# Assembly Instruction



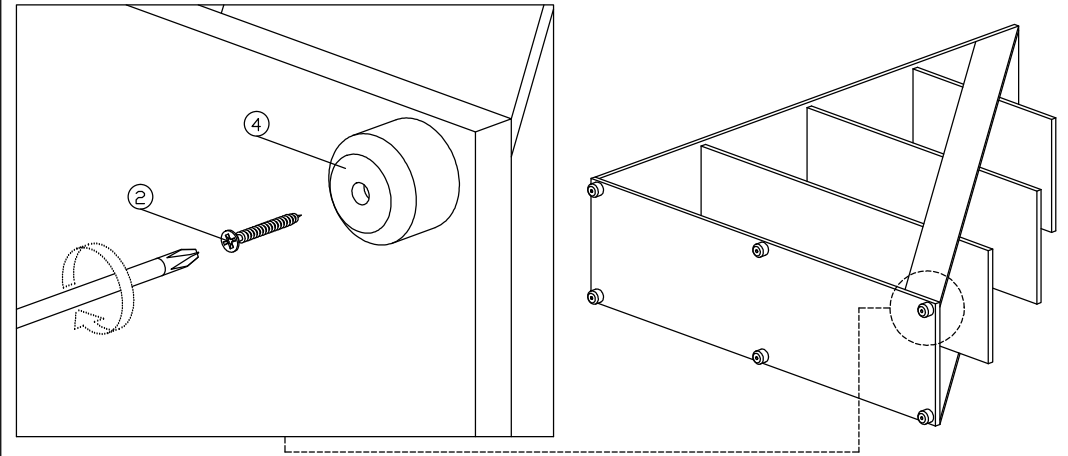
**Model : IS - 2**



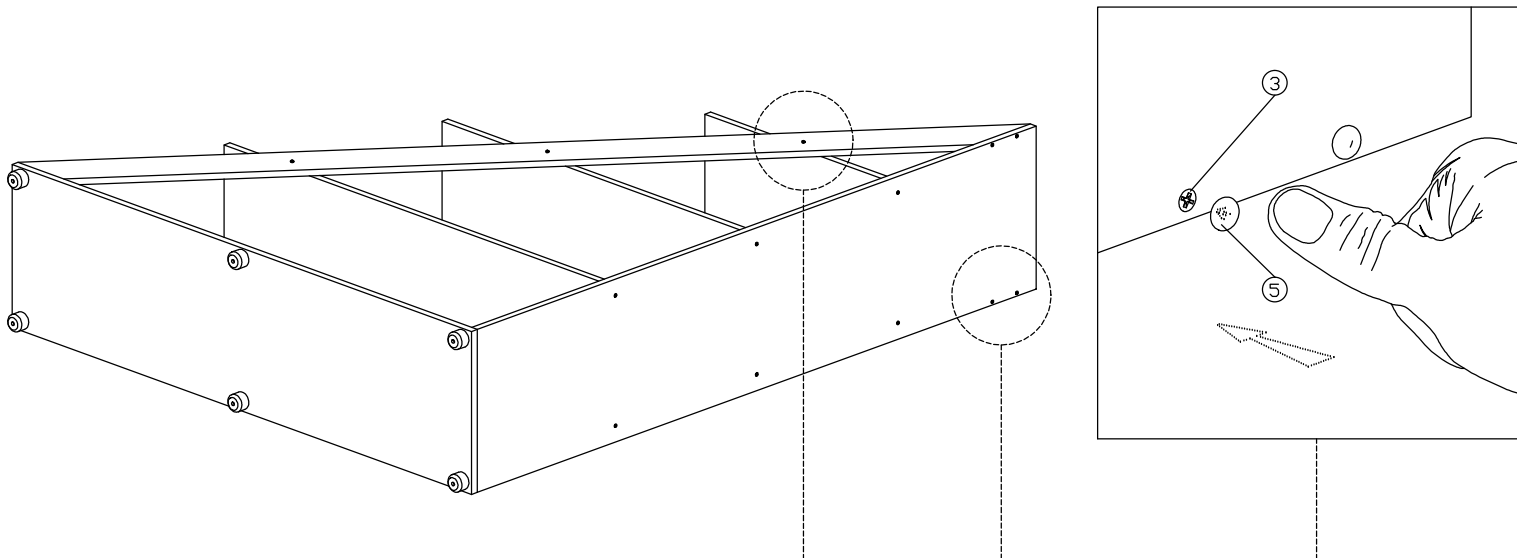
## Step 7



## Step 8



## Step 9



## Complete

