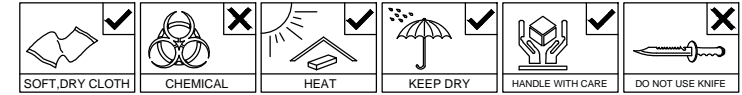


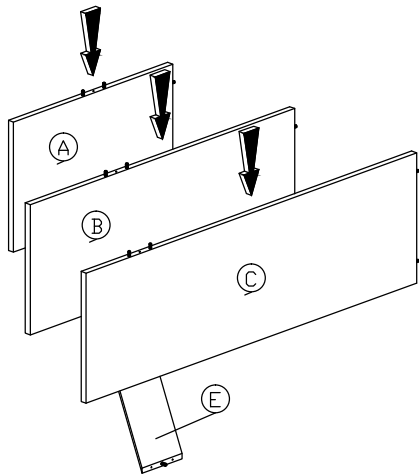
# Assembly Instruction



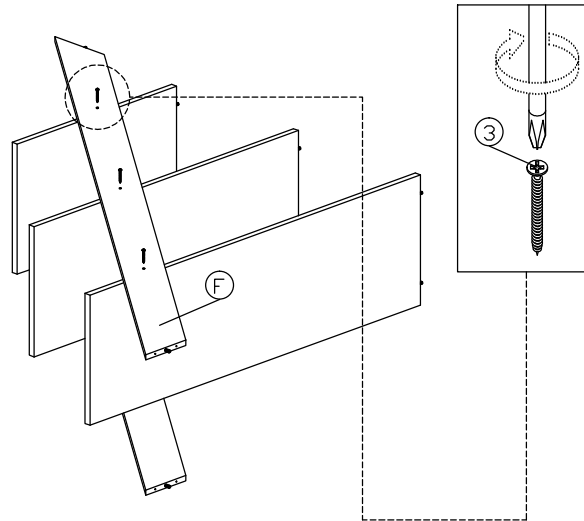
**Model : IS - 2**



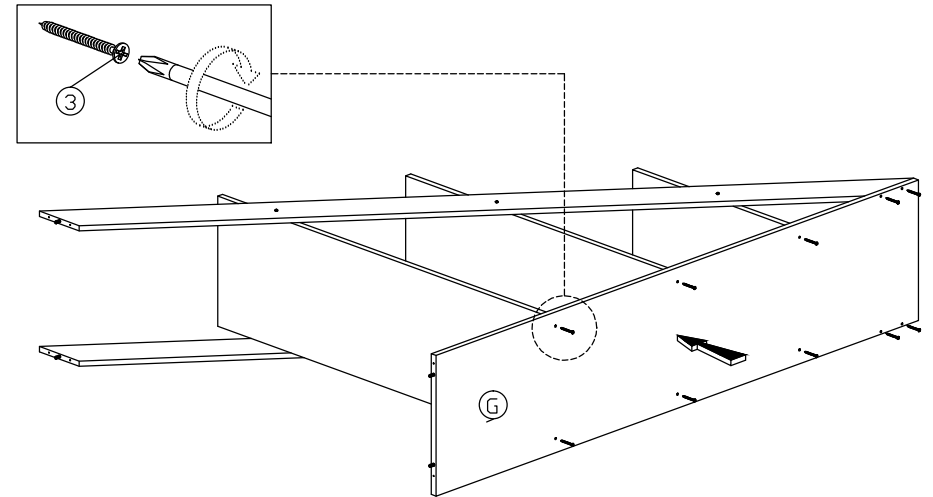
## Step 2



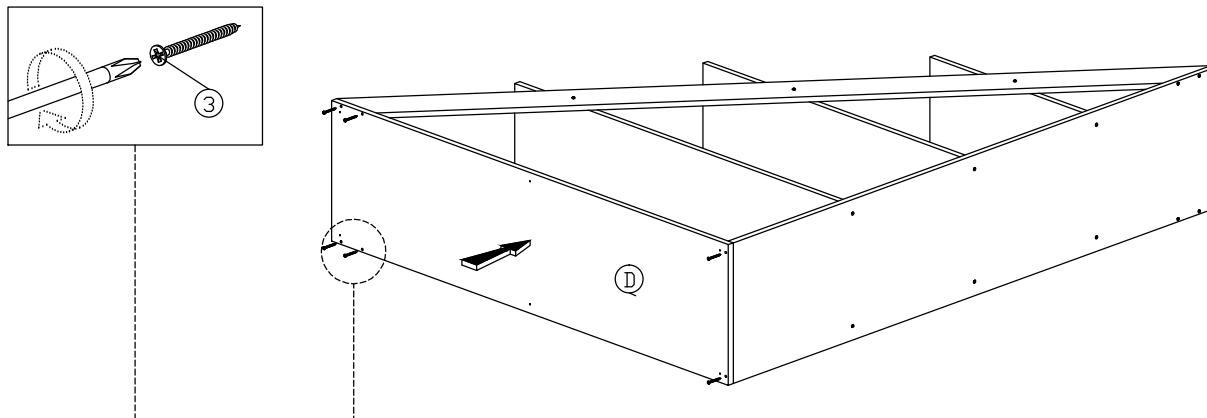
## Step 3



## Step 4



## Step 5



## Step 6

