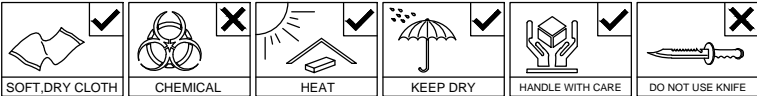


Assembly Instruction

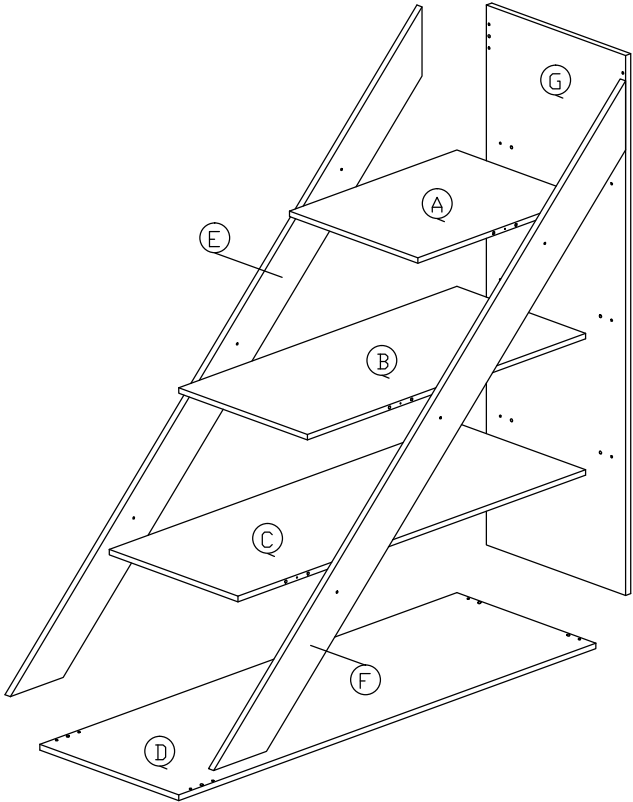


Model : IS - 2



1	2	3	4	5
1X24	1X6	1X22	1X6	1X16

PART LIST



Step 1

