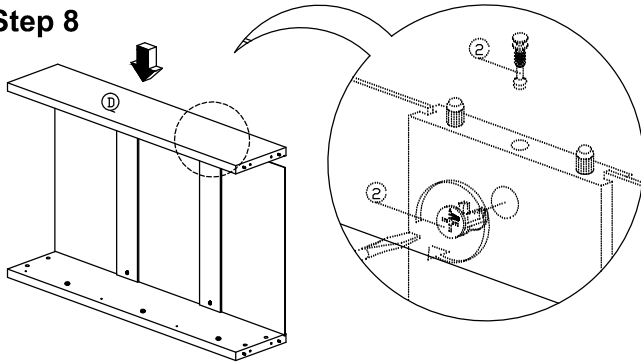
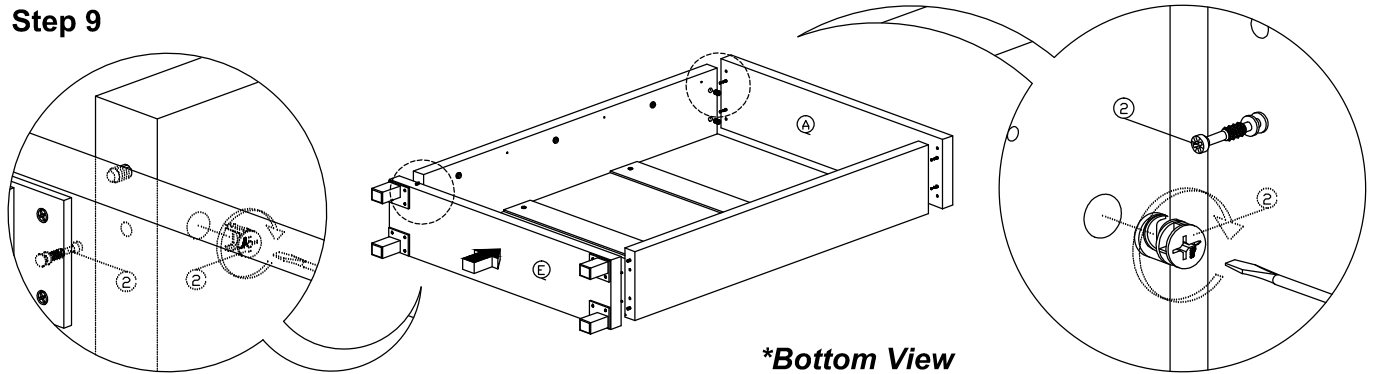


# Assembly Instruction

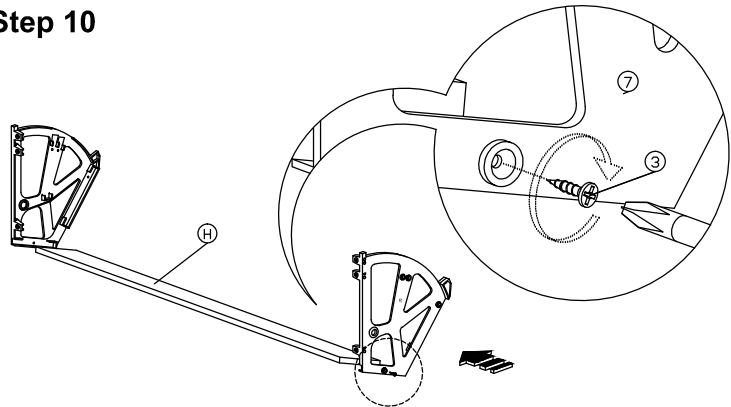
Step 8



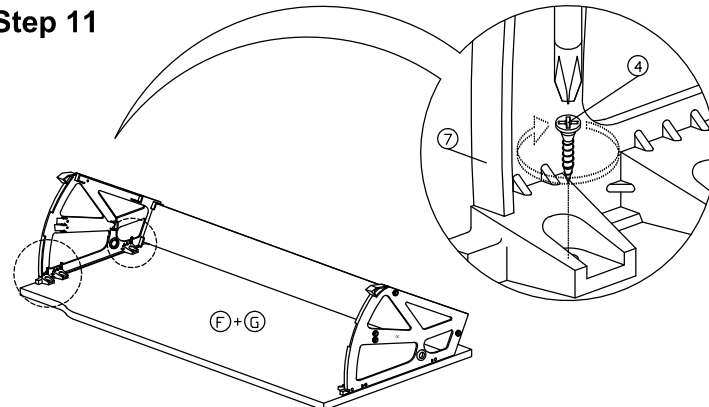
Step 9



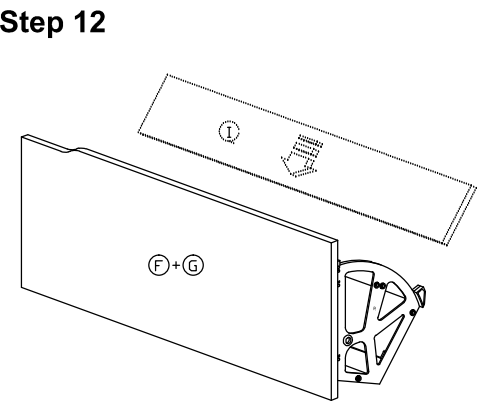
Step 10



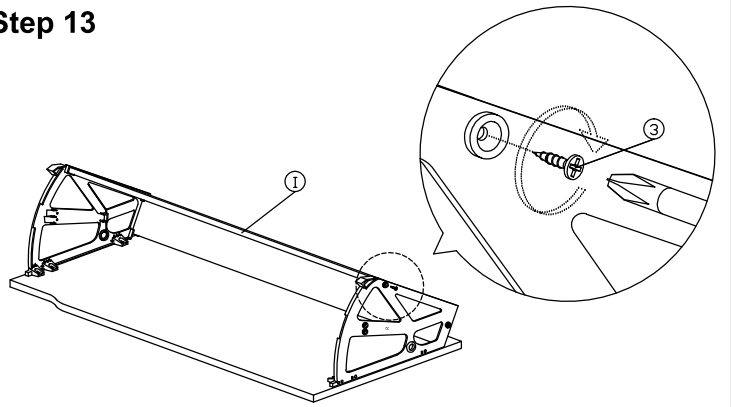
Step 11



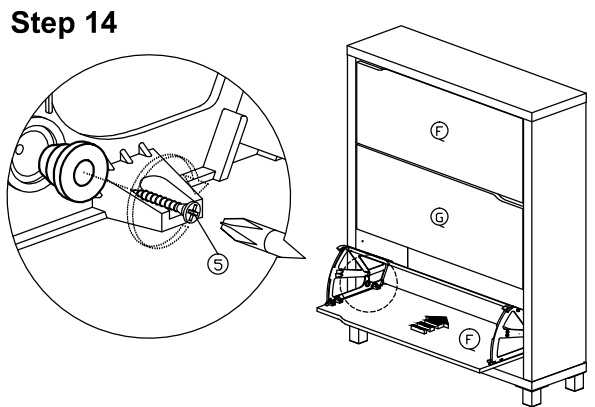
Step 12



Step 13



Step 14



Step 15

